

1

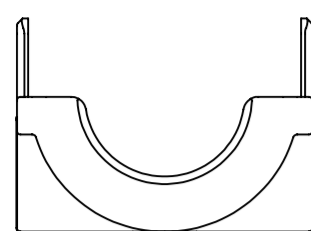
2

3

4

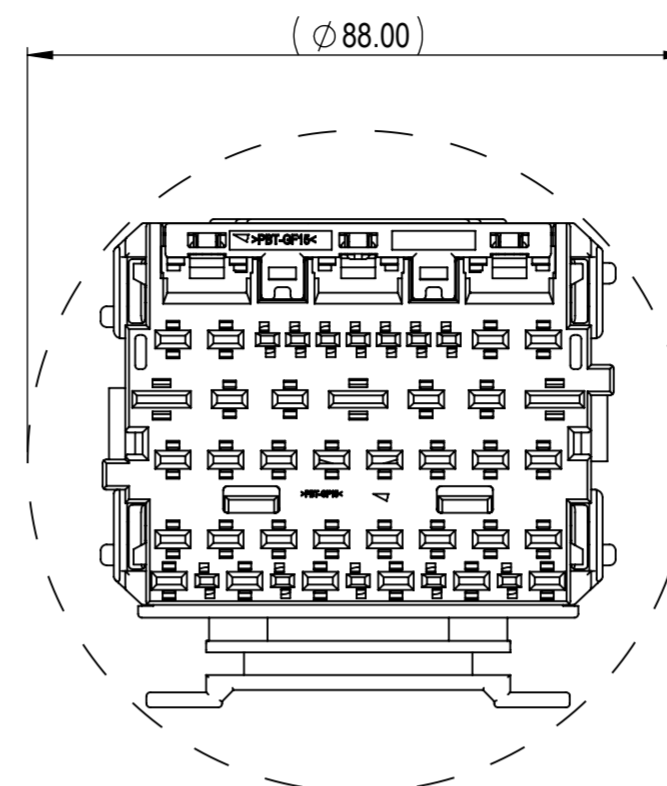
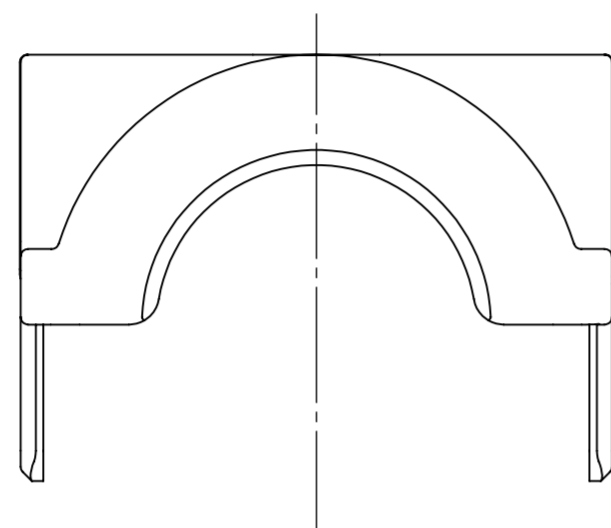
5

PART NUMBER	CONVOLUTED TUBING SIZE	APPLICABLE WIRE SHIELD	APPLICABLE CONNECTOR PART NUMBER
7173-5419-30	19mm	7172-1797-30	7298-4588-30

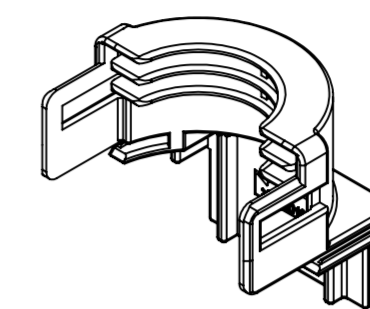


(1/1)

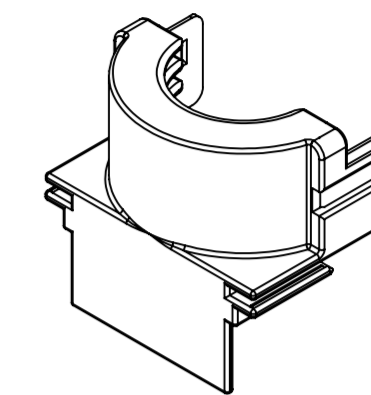
7173-5419-30
19mm



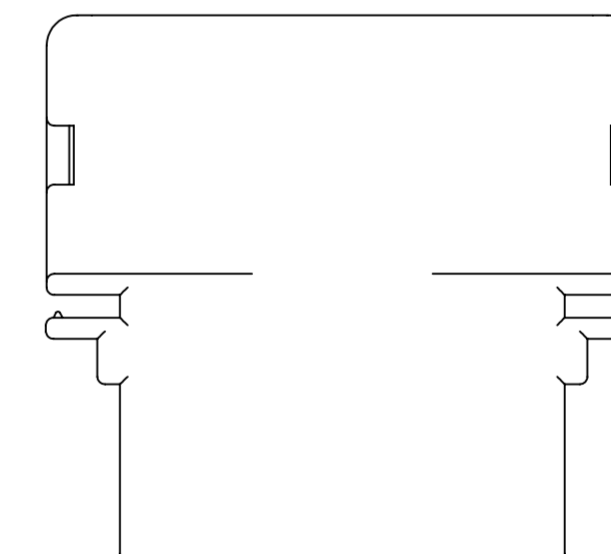
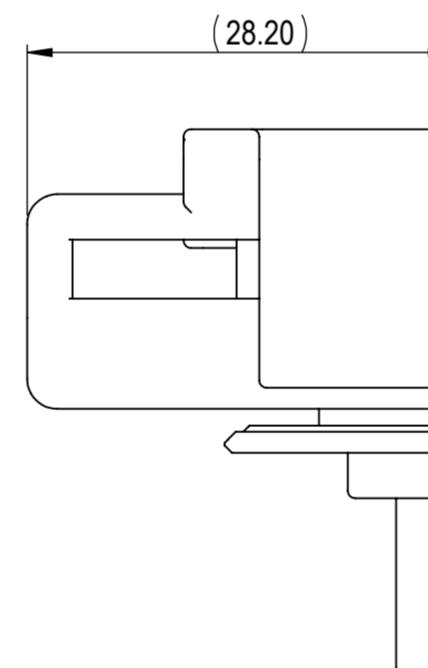
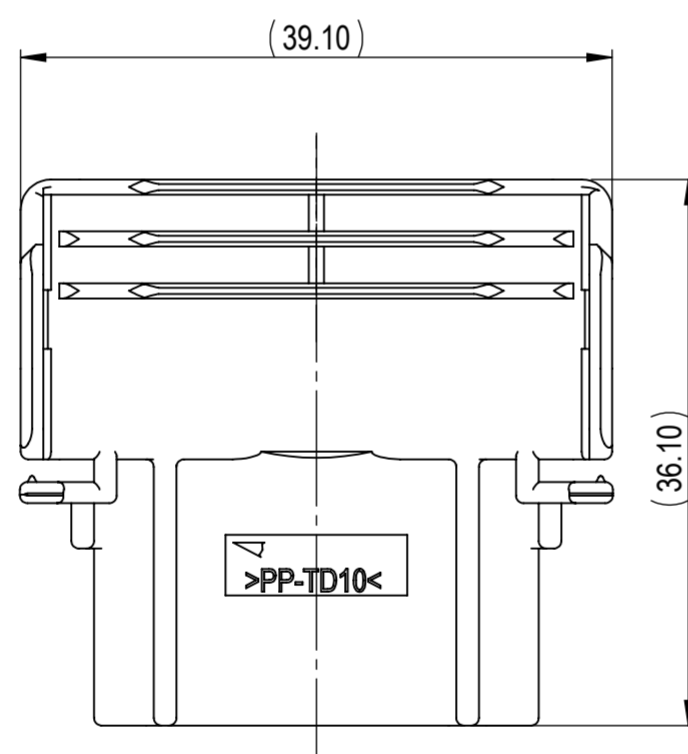
RECOMMENDED PASS THROUGH HOLE DIMENSION WITH 7298-4588-30 & 7172-1797-30
(1mm CLEARANCE ALL AROUND)
(1/1)



FRONT ISOMETRIC VIEW
(1/1)



REAR ISOMETRIC VIEW
(1/1)



NOTES:

- PARTS MUST BE PURCHASED FROM YAZAKI.
- PARTS MUST BE FREE OF FLASH AND IMPERFECTIONS THAT AFFECT FUNCTION.
- MATERIAL: PP-TD10.
- COLOR: BLACK.
- PART TO COMPLY WITH YPES-31-038 REQUIREMENTS.
- THIS DRAWING IS TO BE USED FOR INTERNAL YAZAKI PSW SUBMISSION.
- TO BE USED WITH: SEE TABLE.
- RETAINING CLIP IS DESIGNED TO WORK WITH STANDARD TYPE 1 CONVOLUTED TUBING PER GMW15926
- PART SATISFIES GMW 3191, JUNE 2012 (TC2/SC1/VC1)

ISSUE MARK

GENERAL TOLERANCE											
	10 MAX	50 MAX	100 MAX	250 MAX	250 OVR	R5 MAX	R10 MAX	R20 MAX	R20 OVR	ANGLE	ECCENT
A	±0.15	±0.2	±0.3	±0.5	±0.75	±0.2	±0.3	±0.5	±2.5	±3°	0.1
B	±0.2	±0.3	±0.55	±0.95	±1.4					±3°	0.1
C	±0.3	±0.5	±0.8	±1.4	±2					±3°	0.15
SPECIFIED										MASS	(3.46)g

CUSTOMER		MATL. SPEC.		TREAT. & FIN.	
CUSTOMER PART NO.		SEE NOTES		N/A	
OFFICE YNA		NAME		48P (3Px 9.5mm + 3Px 6.3mm + 30Px 2.8mm + 12Px 1.5mm)	
VENDOR		TRIAL PART NO.		HYBRID UNSEALED WIRE SHIELD RETAINING CLIP DOWN CENTER	
VENDOR NO.		DWG TYPE		PART NO.	
		R		7173-5419-30	
		DWG SOURCE		CH. CODE	
		7173-5419-30:M /		7173-5419-30	
		DWG DATE		DWG NO.	
		07-06-2020		7173-5419-30:R	
		UNIT		SET DWG NO.	
		mm			
		SCL		YAZAKI CORPORATION	
		2/1			
		ANGLE			
		3			
		APPROVED			
		CHECKED			
		CHECKED			
		DESIGN			
		RYAN BARTLETT			
		DRAWN			
		MICHELLE SANTILLAN			
		12-19-2019			
		08-04-2020			

-	07-06-2020	NEW	C20-A451	MS
LET	DATE	REVISION RECOD	NO.	CHKD

1

2

3

4

5

Mouser Electronics

Authorized Distributor

Click to View Pricing, Inventory, Delivery & Lifecycle Information:

[Yazaki:](#)

[7173541930](#)