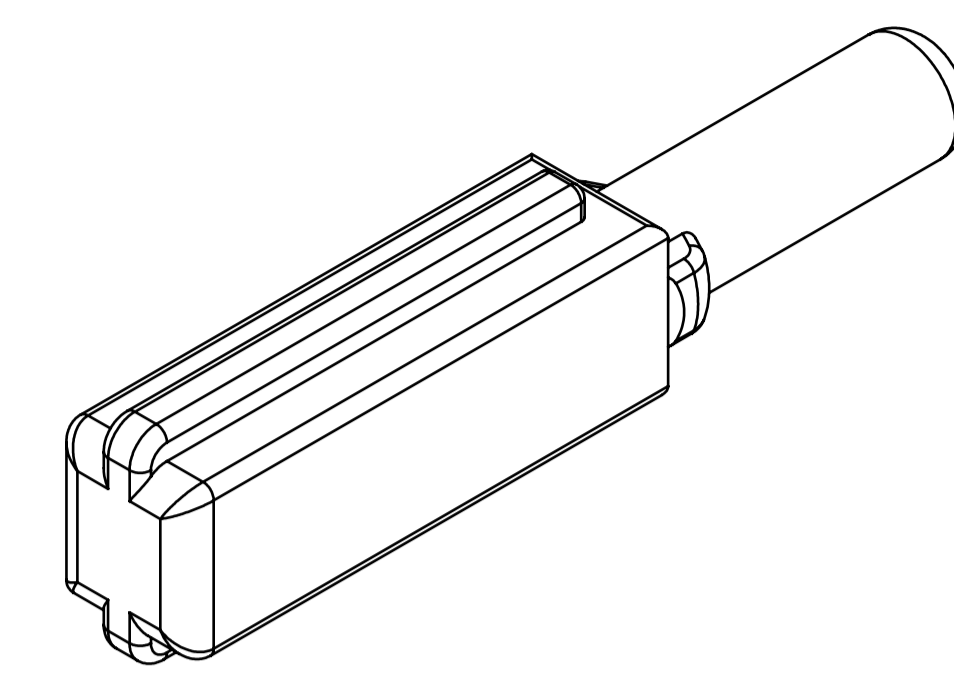
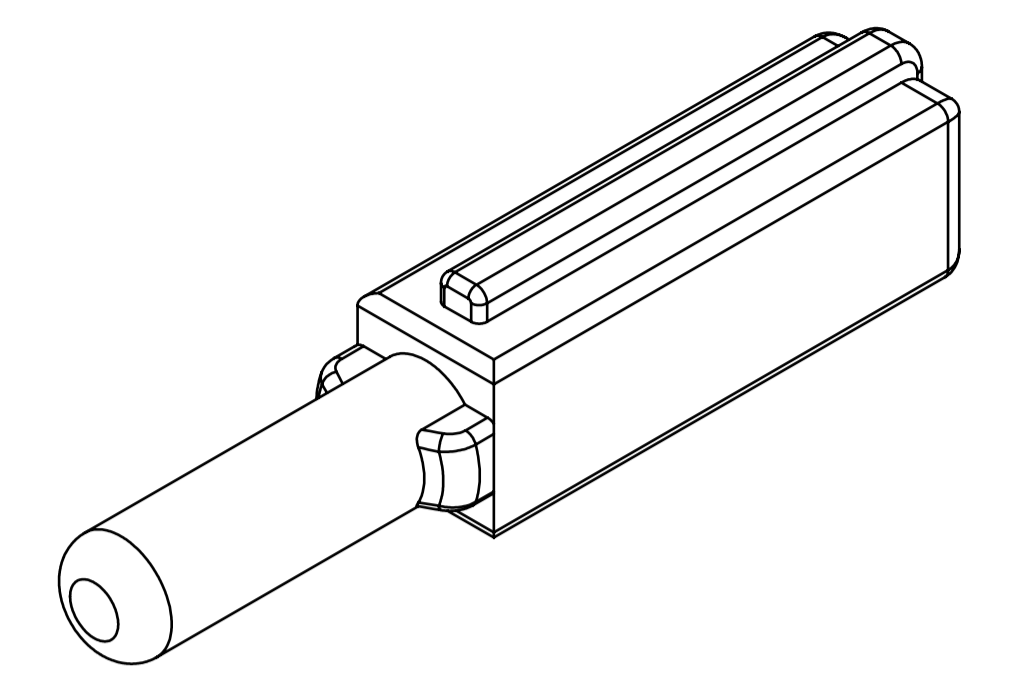


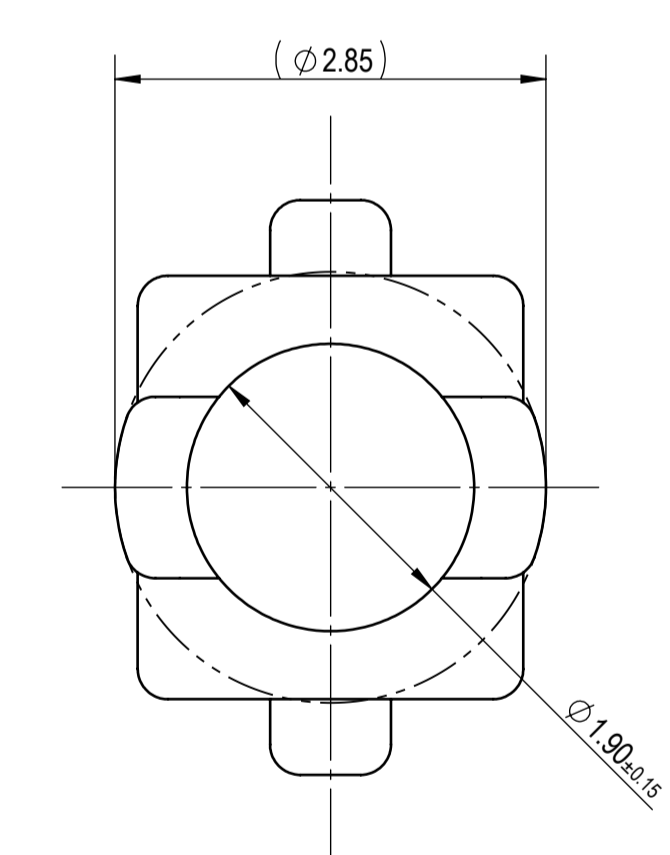
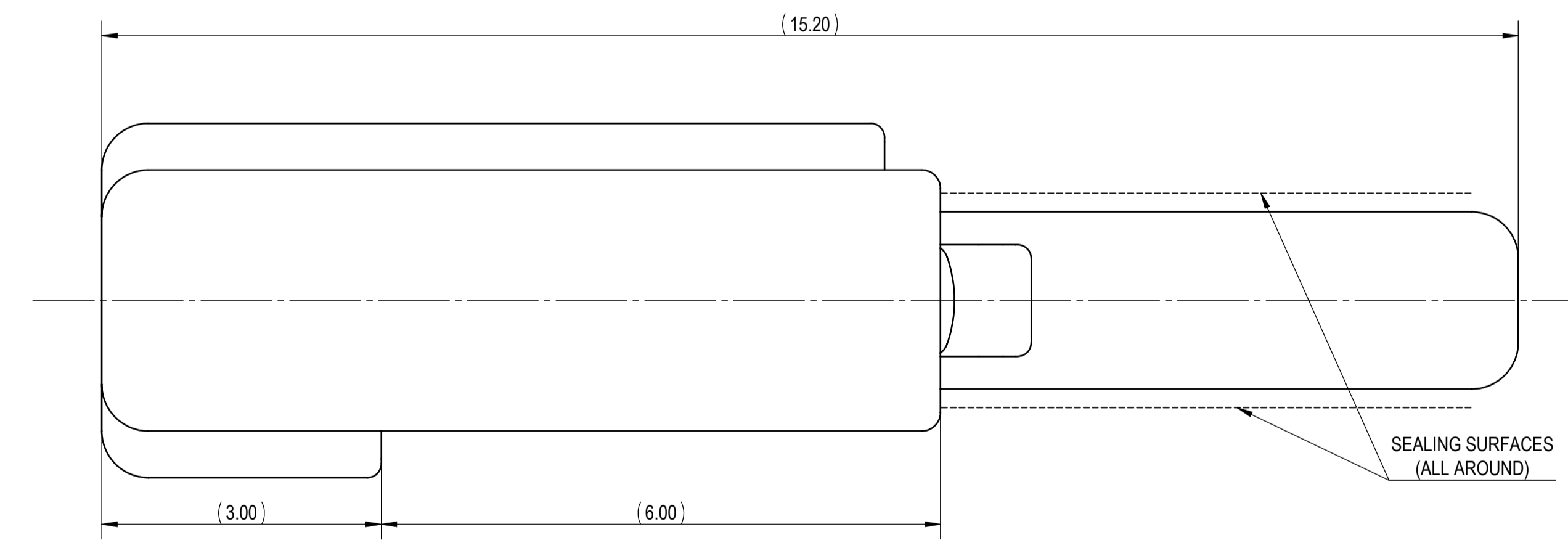
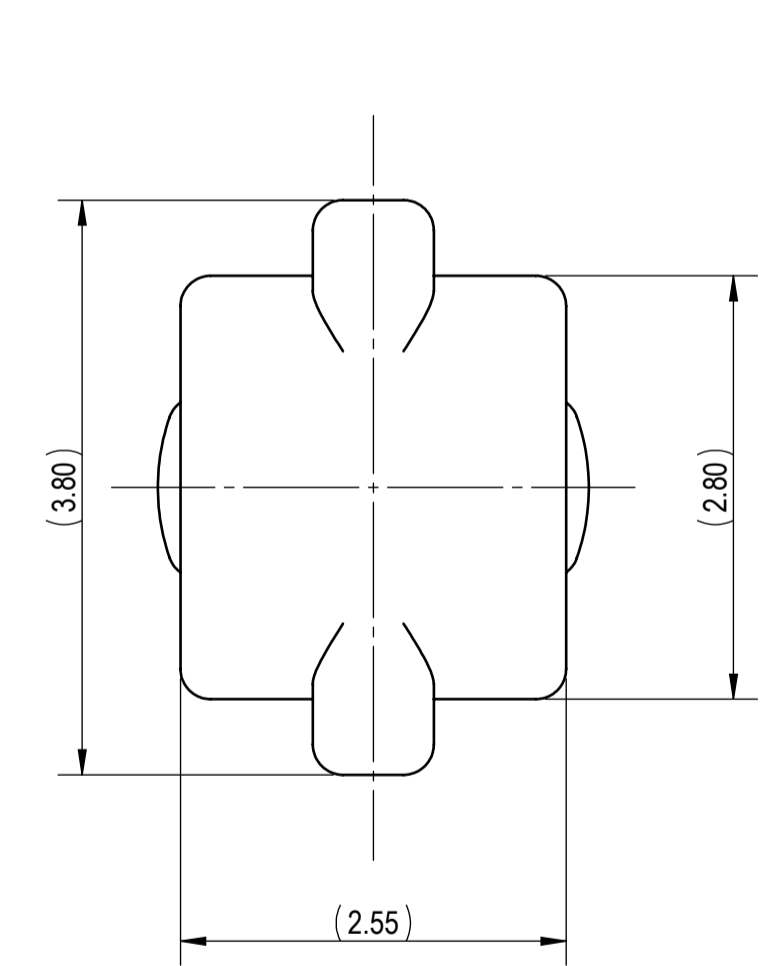
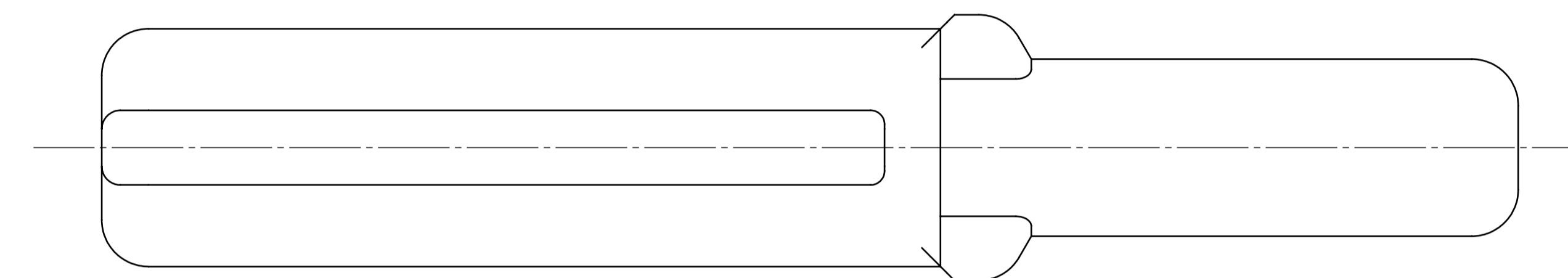
PART NUMBER	PART NAME	MATERIAL	COLOR	QUANTITY
7173-4534-40	1.5mm FEMALE MAT SEAL CAVITY PLUG	PBT-GF15	LIGHT GRAY	1



FRONT ISOMETRIC VIEW
(10/1)



REAR ISOMETRIC VIEW
(10/1)



- NOTES:
- PARTS MUST BE PURCHASED FROM YAZAKI.
 - PARTS MUST BE FREE OF FLASH AND IMPERFECTIONS THAT AFFECT FUNCTION.
 - MATING PART NUMBER: 7289-8201-30, ETC.
 - PART SATISFIES USCAR-2, REVISION 6, FEBRUARY 2013, (T3/V2/S2).
 - PART TO COMPLY WITH YPES-31-038 REQUIREMENTS.
 - THIS DRAWING IS TO BE USED FOR INTERNAL YAZAKI PSW SUBMISSION.
 - HANDLING MANUAL NUMBER: YPES-15-1716E

LET	DATE	REVISION RECORD	NO.	CHKD
-	02-08-2019	NEW	C19-A105	S.A.

GENERAL TOLERANCE											
A	±0.15	±0.20	±0.30	±0.50	±0.75	±0.20	±0.30	±0.50	±2.50	±3°	0.1
B	±0.20	±0.30	±0.55	±0.95	±1.40	±0.20	±0.30	±0.50	±2.50	±3°	0.15
C	±0.30	±0.50	±0.80	±1.40	±2.00					±3°	0.15
SPECIFIED										MASS	(0.11) g

CUSTOMER		CUSTOMER DWG NO.		MTRL SPEC.		TREAT. & FIN.	
CUSTOMER PART NO.		CUSTOMER DWG NO.		SEE TABLE		N/A	
OFFICE YNA		TRIAL PART NO.		NAME 1.5mm FEMALE MAT SEAL CAVITY PLUG			
VENDOR		VENDOR NO.		PART NO. 7173-4534-40			
DWG TYPE R		DWG SOURCE 7173-4534-40.M		DWG DATE 02-08-2019		UNIT mm	
APPROVED		CHECKED		CHECKED		SCL 20/1	
DESIGN COURTNEY DODGE		DRAWN SAUL AMPARAN		DATE 04-23-2018		DATE 02-12-2019	
YAZAKI CORPORATION							

ISSUE MARK

Mouser Electronics

Authorized Distributor

Click to View Pricing, Inventory, Delivery & Lifecycle Information:

[Yazaki:](#)

[7173453440](#)