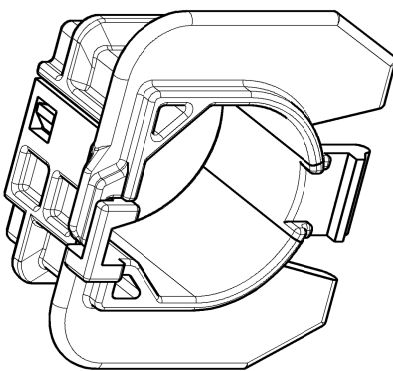
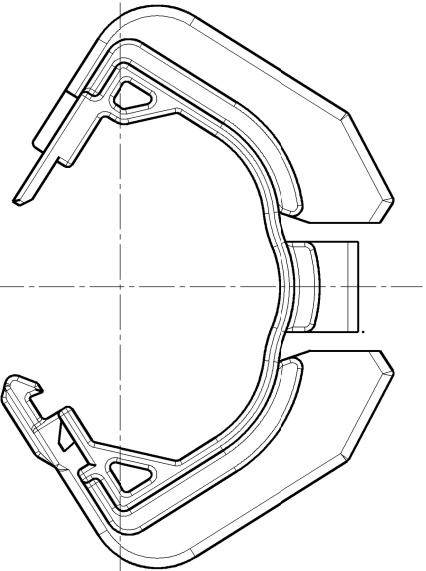
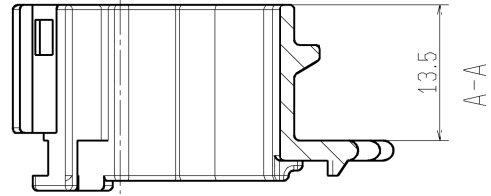
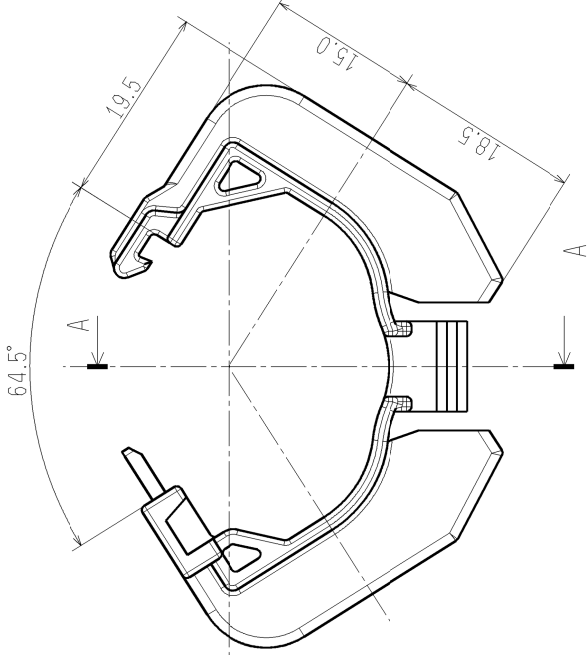


PLASTIC GENERAL TOLERANCE			
	A	B	C
0 TO 1	± 0.18	± 0.20	± 0.23
~ TO 3	± 0.19	± 0.21	± 0.25
~ TO 6	± 0.20	± 0.22	± 0.27
~ TO 10	± 0.21	± 0.24	± 0.30
~ TO 15	± 0.23	± 0.27	± 0.34
~ TO 22	± 0.25	± 0.30	± 0.38
~ TO 30	± 0.27	± 0.34	± 0.43
~ TO 40	± 0.30	± 0.38	± 0.49
~ TO 53	± 0.34	± 0.43	± 0.57
~ TO 70	± 0.38	± 0.50	± 0.68
~ TO 90	± 0.44	± 0.60	± 0.81
~ TO 120	± 0.51	± 0.70	± 0.97
~ TO 160	± 0.60	± 0.85	± 1.20
~ TO 200	± 0.70	± 1.05	± 1.50
~ TO 250	± 0.90	± 1.25	± 1.80
~ TO 315	± 1.10	± 1.55	± 2.20
~ TO 400	± 1.30	± 1.90	± 2.80
~ TO 500	± 1.60	± 2.30	± 3.40
~ TO 630	± 2.00	± 2.90	± 4.30
~ TO 800	± 2.50	± 3.60	± 5.30
800 OVER	± 3.00	± 4.50	± 6.60
ANGLE	± 30'	± 1'	± 2°



NOTES

- 1) GENERAL THICKNESS : 1.5
- 2) MATING PART NO. : 7371-5365-0W, 7135-4287-30

注記

- 1) 一般肉厚 : 1.5
- 2) 嵌合相手品番 : 7371-5365-0W, 7135-4287-30

ASSEMBLY FORM

MAIL SPEC:	P.PINATURAL	TREAT. & FIN.
NAME:	W TO W BOX INNER B	
ISSUE MARK:		
CUSTOMER:		
CUSTOMER PART NO.:		
CUSTOMER DWG NO.:		
OFFICE:	TRIAL PART NO. or PRODUCT NO.	
VENDOR:		
VENDOR NO.:		
DWG TYPE:	DWG SOURCE:	DWG DATE:
R	NEW	2019/01/15
UNIT:	SCALE:	ANGLE:
mm	2:1	3
APPROVED:	CHECKED:	DESIGN:
望月	義村	豊田
00ND	00ND	NIKKO
2016/08/12	2019/01/15	
3.6	g	

**YAZAKI Corporation**

PART NO. 7173-3670  
CH. CODE  
DWG NO. 7173-3670:R  
SET DWG NO.

# Mouser Electronics

Authorized Distributor

Click to View Pricing, Inventory, Delivery & Lifecycle Information:

[Yazaki:](#)

[71733670](#)