

1

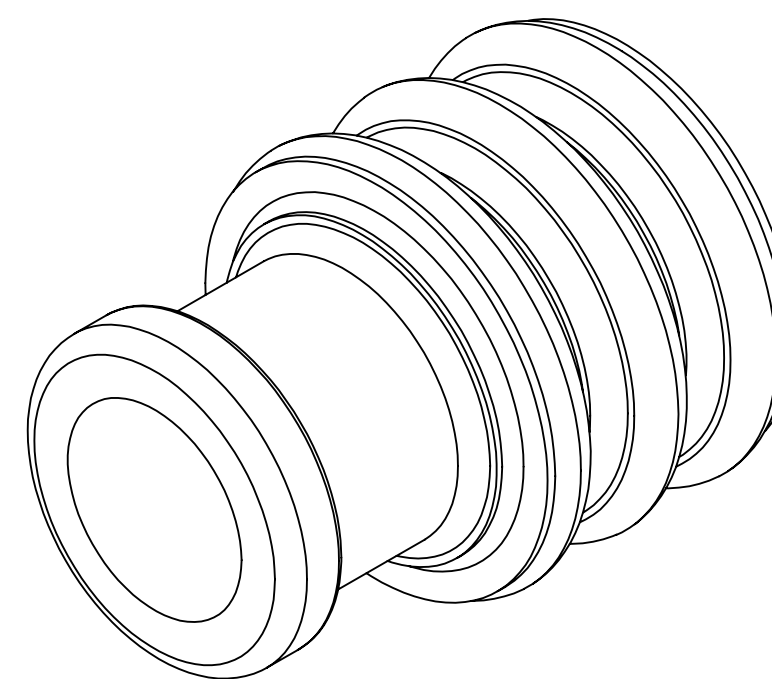
2

3

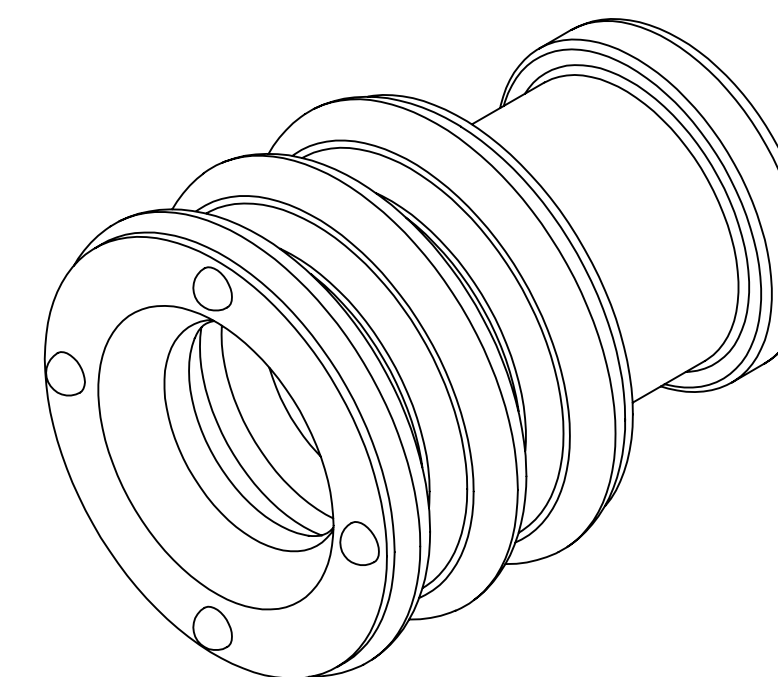
4

5

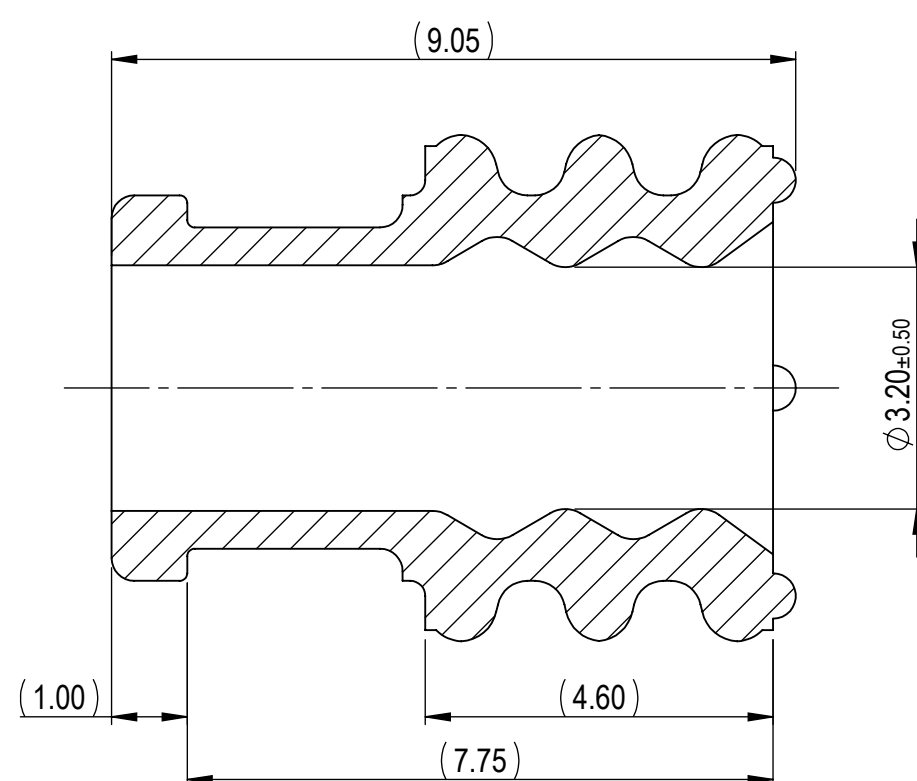
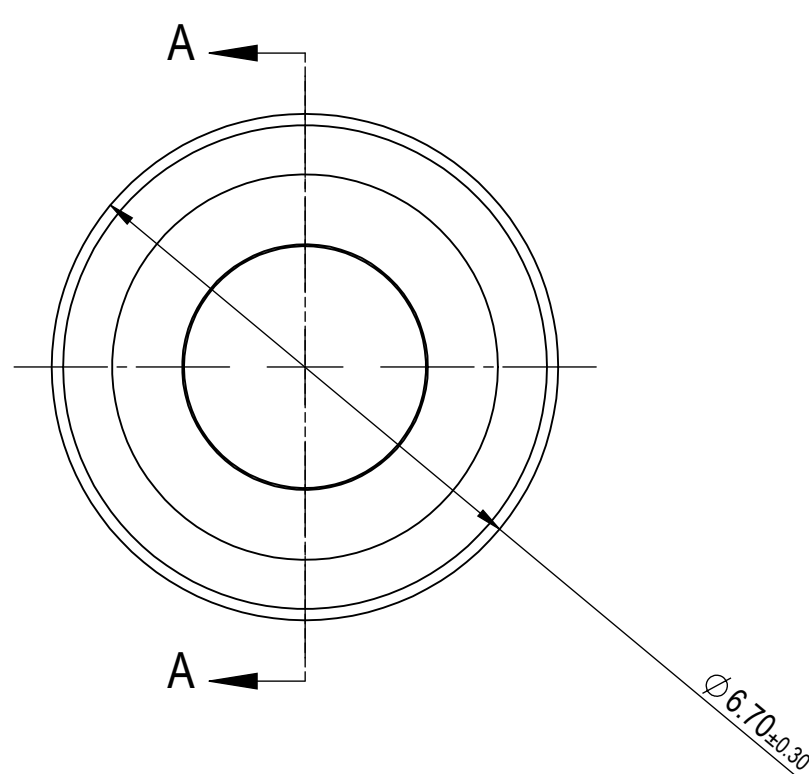
PART NUMBER	COLOR	MATERIAL	CABLE O.D. (mm)
7172-5734-80	BROWN	SILICONE	∅ 3.4mm - ∅ 3.7mm



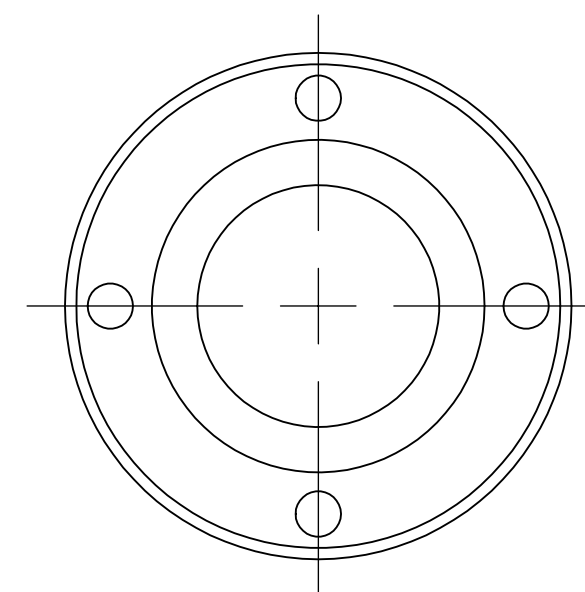
FRONT ISOMETRIC VIEW



REAR ISOMETRIC VIEW



SECTION A-A



NOTES:

- PARTS MUST BE PURCHASED FROM YAZAKI.
- PARTS MUST BE FREE OF FLASH AND IMPERFECTIONS THAT AFFECT FUNCTION.
- THIS CABLE SEAL REPLACES YAZAKI PART NUMBER 7172-5197-80.
- MATERIAL: SEE TABLE
- COLOR: SEE TABLE
- PART SATISFIES USCAR-2, REVISION 6, FEBRUARY 2013, (T3, S3).
- PART TO COMPLY WITH YPES-31-038 REQUIREMENTS.



ISSUE MARK

LET	DATE	REVISION RECORD	NO.	CHKD
-	07-17-2019	NEW	C19-A665	EH

GENERAL TOLERANCE											
	10	50	100	250	250	R5	R10	R20	R20	ANGLE	ECCENT
	MAX	MAX	MAX	MAX	OVR	MAX	MAX	MAX	OVR		
A	±0.15	±0.2	±0.3	±0.5	±0.75	±0.2	±0.3	±0.5	±2.5	±3°	0.1
B	±0.2	±0.3	±0.55	±0.95	±1.4	±0.2	±0.3	±0.5	±2.5	±3°	0.1
C	±0.3	±0.5	±0.8	±1.4	±2					±3°	0.15
	SPECIFIED										MASS (0.12) g

CUSTOMER		MATL. SPEC.		TREAT. & FIN.	
CUSTOMER PART NO.		SEE TABLE		N/A	
OFFICE YNA		NAME		2.8 SYSTEM SEALED CONNECTOR	
VENDOR		TRIAL PART NO.		WIRE SEAL (ISO 4.0mm ²)	
VENDOR NO.		DWG TYPE		PART NO.	
		R		7172-5734-80	
DWG SOURCE		DWG DATE		CH. CODE	
7172-5734-80:M/△		07-17-2019		7172-5734-80	
UNIT		SCL		DWG NO.	
mm		10/1		7172-5734-80:R	
APPROVED		CHECKED		SET DWG NO.	
CHAD PARDO		EVELYN HUANG			
02-15-2012		10-18-2019		YAZAKI CORPORATION	

1

2

3

4

5

Mouser Electronics

Authorized Distributor

Click to View Pricing, Inventory, Delivery & Lifecycle Information:

[Yazaki:](#)

[7172573480](#)