

1

2

3

YAZAKI PART NO. AND CH. CODE	MATERIAL	COLOR
7123-5014, [B]	PA66	△5 WHITE
7123-5014-30, [B]	PA66	BLACK
△1 7123-5014-90, [B]	PA66	BLUE

NOTE

1. APPLICABLE TERMINAL PART NO. : 7116-2951 ETC.

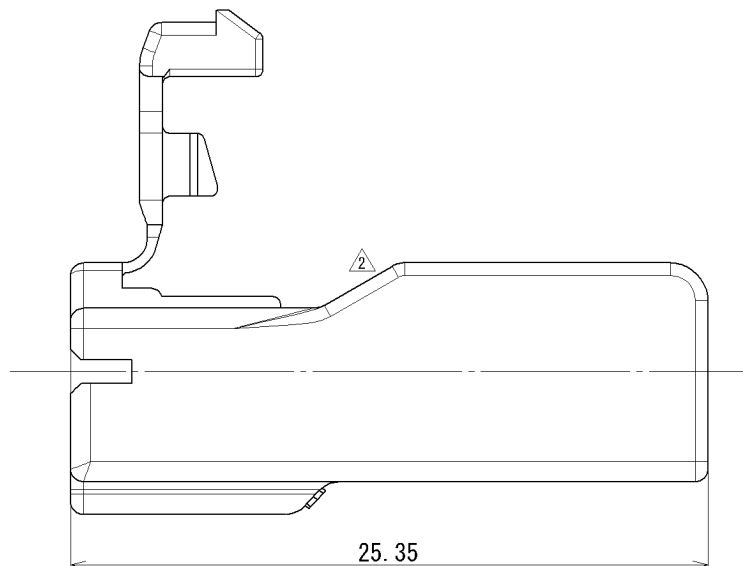
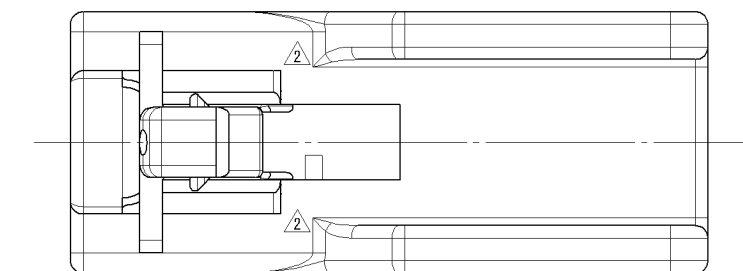
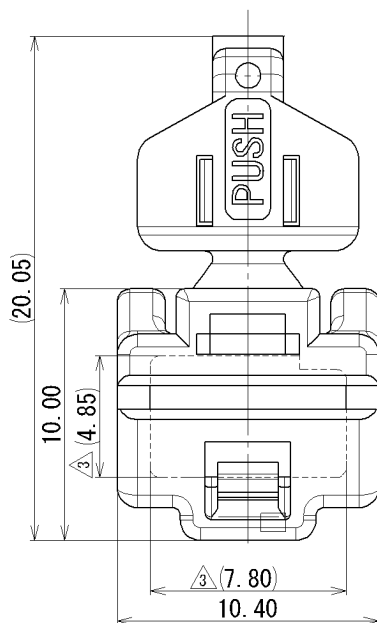
△4 7116-2954 ETC.

注記

1. 適用端子品番 : 7116-2951 ETC.

△4 7116-2954 ETC.

B



A

B

A

△5	DATE	REVISION RECORD	NO.	CHKD
△5	2013/06/07	CHANGED COLOR ETC.	C13-Z270	E. O
△4	2002/07/15	ADDED PART NO.	C02-X781	S. K
△3	1999/04/05	CHANGED FORM, [B]	C99-L419	M. S
△2	1995/03/20	CHANGED FORM, [A]	C95-L482	T. S
△1	1993/02/24	ADDED COLOR NO.	C93-6249	A. H
	1991/05/10	NEW	C91-6737	S. I

LET	DATE	REVISION RECORD	NO.	CHKD										
GENERAL TOLERANCE														
	10MAX	50MAX	100MAX	250MAX	2500VR	ANGLE	ECCENT	DWG TYPE	DWG SOURCE	DWG DATE	UNIT	SCL	ANGLE	PART NO.
A	±0.15	±0.2	±0.3	±0.5	±0.75	±30'	O. 1	R	NEW	1991/05/10	mm	5:1	3	7123-5014 ETC.
B	±0.2	±0.3	±0.55	±0.95	±1.4	±30'	O. 1	APPROVED	CHECKED	CHECKED	DESIGN	DRAWN		DWG NO. 7123-5014:R
C	±0.3	±0.5	±0.8	±1.4	±2	±30'	O. 15	K. SUZUKI	Y. IWAHORI	N. TAKASHIMA	KAMEYAMA	E. ORLANI		SET DWG NO.
SPECIFIED							MASS			2013/06/07	2013/06/07	2013/06/07	1991/05/16	2013/06/07

CUSTOMER	CUSTOMER PART NO.	CUSTOMER DWG NO.
OFFICE	TRIAL PART NO.	
VENDOR		
VENDOR NO.		

MATL. SPEC.	SEE TABLE	TREAT. & FIN.
-------------	-----------	---------------

NAME △5 250 SEL 1P HOUSING FEMALE

ISSUE MARK

1

2

3



Mouser Electronics

Authorized Distributor

Click to View Pricing, Inventory, Delivery & Lifecycle Information:

[Yazaki:](#)

[71235014](#) [7123501430](#)