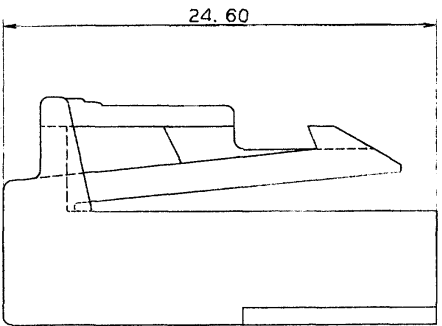
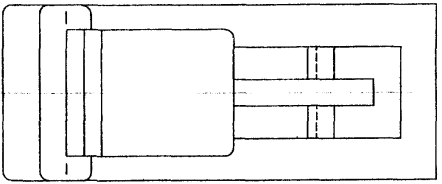
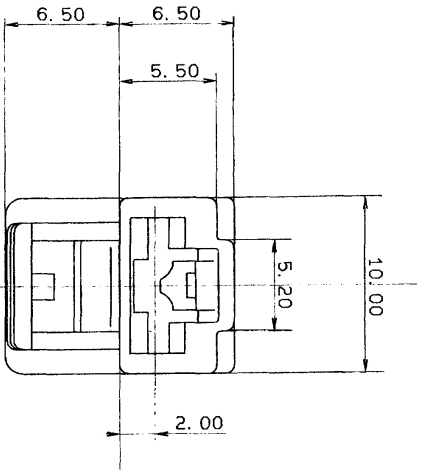


AIR BAG PARTS NO.	PART NO.	COLOR
7823-2815	7123-2815	NATURAL
	7123-2815-30	BLACK
	7123-2815-60	GREEN
	7123-2815-80	BROWN
	7123-2815-70	YELLOW
	7123-2815-90	BLUE



注記

- 1) 統合相手品番: 7122-2815 ETC.
- 2) 適用端子品番: 7116-2090 ETC.

- △ NOTES
- 1) MATTING PART NO: 7122-2815 ETC.
- 2) APPLICABLE TERMINAL NO: 7116-2090 ETC.

- △
- 1) MATTING PART NO: 7122-2815 ETC.
- 2) APPLICABLE TERMINAL NO: 7116-2090 ETC.
- 2640 ETC.

REV	DATE	REVISION RECORD	NO.	CHKD
7	91.09.03	CHANGED NOTE	C91-7238	I.I
6	89.02.02	ADDED PART NO.	C89-6203	S.I
5	88.07.07	RENEW AND CHANGED DRAWING	BMC-3008	S.Y
1		REVISION RECORD		

GENERAL TOLERANCE		ANG L E		ECCENT		WEIGHT	
1.0MAX	±0.15	±0.2	±0.3	±0.5	±0.75	±30°	0.1
1.5MAX	±0.2	±0.3	±0.5	±0.95	±1.4	±30°	0.1
2.0MAX	±0.3	±0.5	±0.8	±1.4	±2	±30°	0.15

CUSTOMER PART NO.	CUSTOMER DWG NO.	MATL. SPEC	TREAT. & FIN.	ISSUE MARK
OFFICE	STDLIB NO.	NAME		
VENDOR NO.	DWG TYPE	DWG SOURCE	DWG DATE	INITIAL
APPROVED	CHECKED	CHECKED	DESTIN	DRAWN
91.09.05	91.09.04	91.09.04	81.07.30	91.09.03
YAMAGATA	IHAMARA	YAZAKI CORPORATION		

MATL. SPEC: CN HOUSING FEMALE 1P (WITH HOUSING LANCE LOCK)

DWG NO.: 7123-2815 ETC.

TRIAL PART NO.: 7123-2815:R

1 2 3 4 5

# Mouser Electronics

Authorized Distributor

Click to View Pricing, Inventory, Delivery & Lifecycle Information:

[Yazaki:](#)

[71232815](#) [7123281530](#)