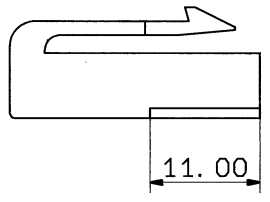
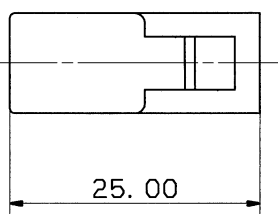
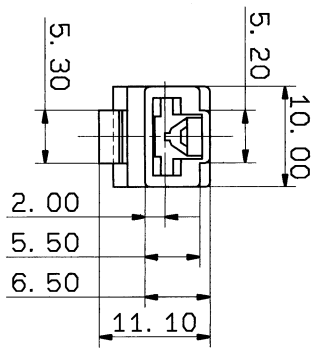


PARTS NO.	COLOR	MATERIAL
7123-2810	NATURAL	66 NYLON
7123-2810-10	DARK GRAY	
7123-2810-30	BLACK	
7123-2810-40	LIGHT GRAY	
7123-2810-60	GREEN	
7123-2810-70	YELLOW	
7123-2810-80	BROWN	66 NYLON
7123-2810-90	BLUE	



- 注 記
- 適用端子番：7116-2640 ETC.
 - 嵌合相手番：7122-2810 ETC.

NOTE

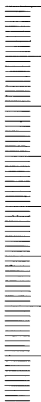
- APPLICABLE TERMINAL NO. : 7116-2640 ETC.
- MATING PART NO. : 7122-2810 ETC.

94.05.30		RENEW		C94-L123		M. T		CUSTOMER	
DATE		REVISION RECORD		NO.		CHKD		CUSTOMER PART NO.	
		GENERAL TOLERANCE						CUSTOMER DWG NO.	
								TRIAL PART NO.	
								VENDOR NO.	
								OFFICE	
								DWG TYPE	
								RENEW	
								DWG SOURCE	
								94.05.30	
								UNIT	
								mm	
								SCALE	
								2/1	
								ANGLE	
								3	
								DRAWN	
								DESIGN	
								TAKEOUCHI	
								KUZUNO	
								PART NO.	
								7123-2810 ETC.	
								CH. CODE	
								7123-2810:R	
								DWG NO.	
								YAZAKI CORPORATION	

1

2

3



1

2

3

A

B

A

B

Mouser Electronics

Authorized Distributor

Click to View Pricing, Inventory, Delivery & Lifecycle Information:

[Yazaki:](#)

[71232810](#) [7123281030](#)