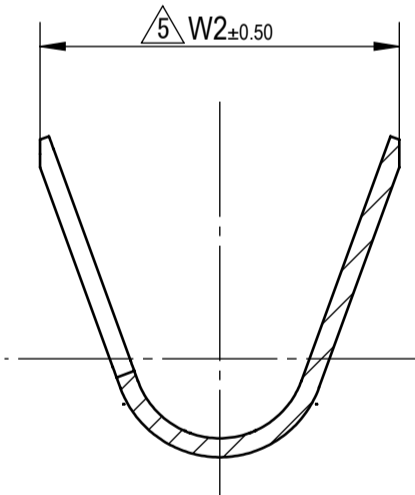
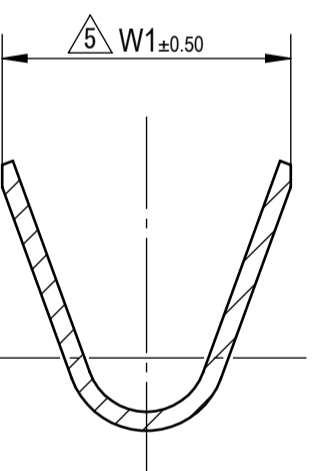
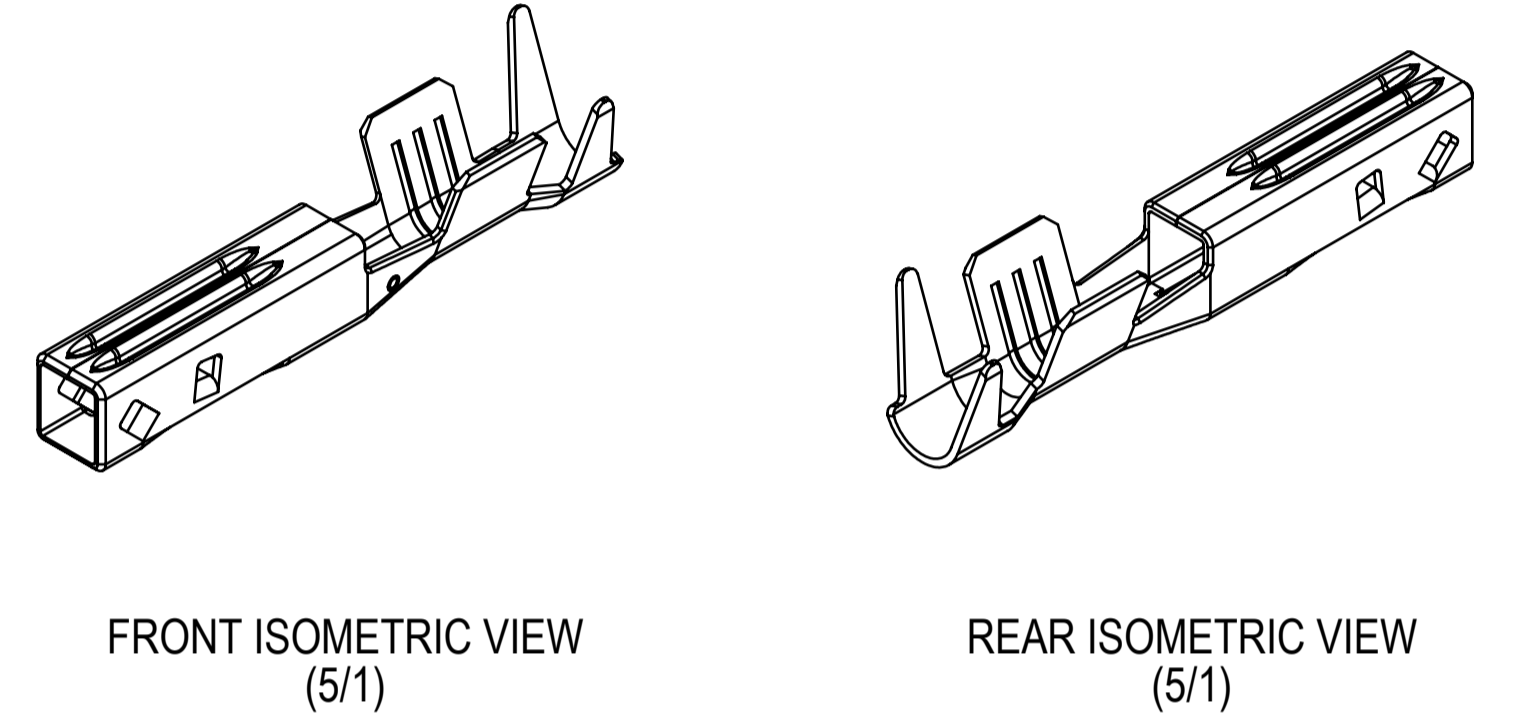
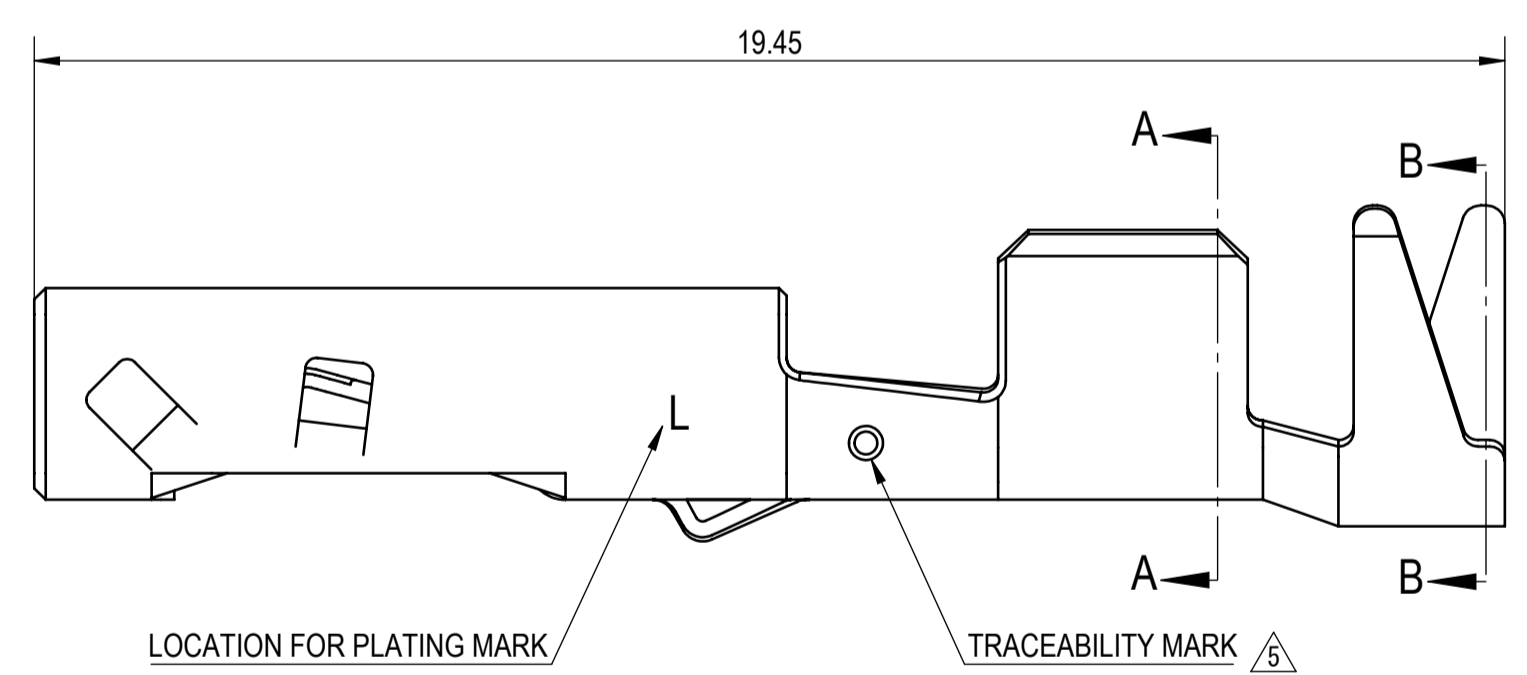
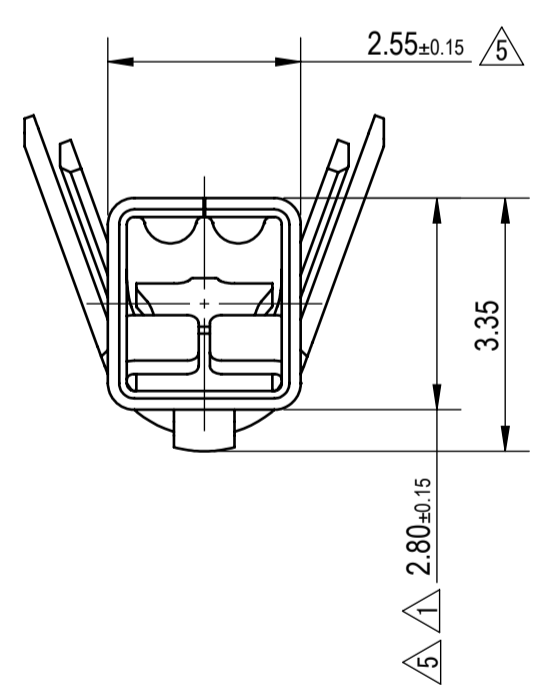
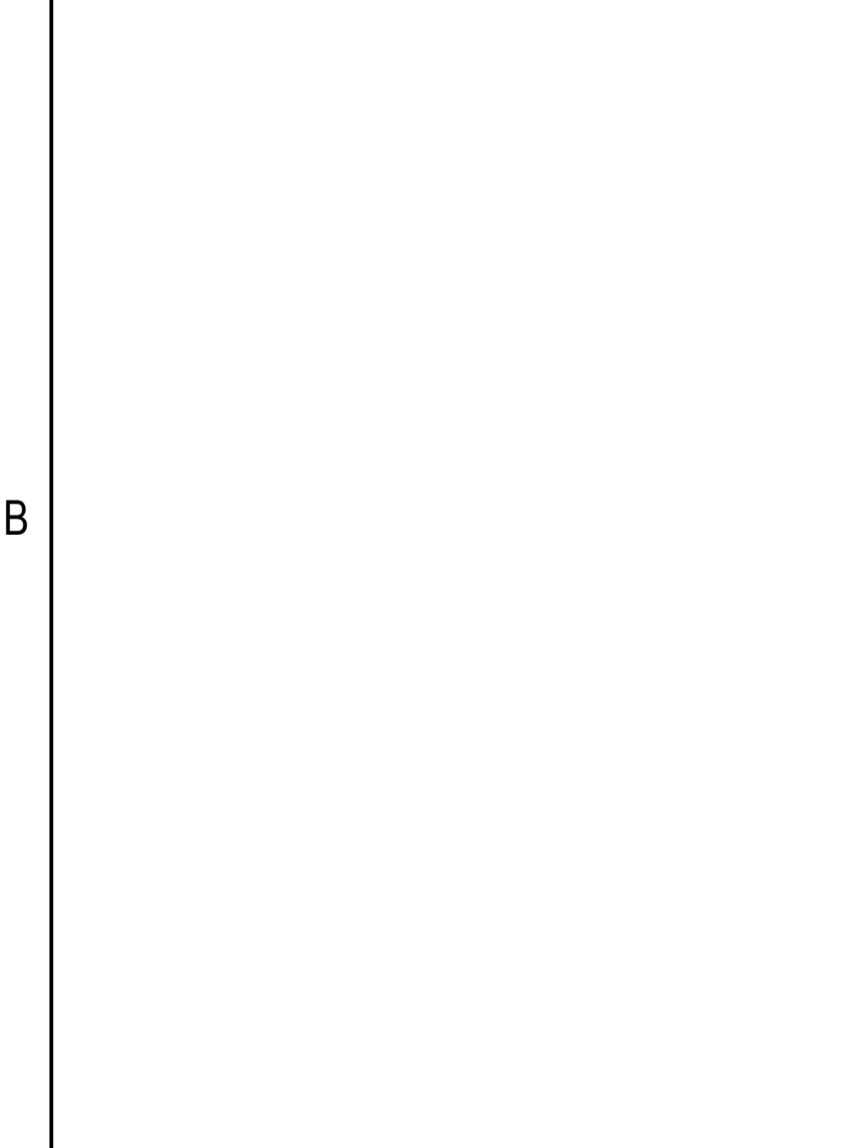


APPLICABLE WIRE SIZE MARK	
	(5/1) SMALL GRIP SIZE
	(5/1) MEDIUM GRIPS SIZE
	(5/1) LARGE GRIP SIZE

GRIP SIZE	PART NUMBER	PLATING (MARK)	GREASE	APPLICABLE WIRE SIZE (SINGLE CRIMP)			GRIP DIMENSIONS	
				AWG	ISO (mm²)	INSULATION (mm)	W1	W2
SMALL	7116-6315-02	Sn	N/A	22-20	0.35-0.50	1.20mm-1.90mm	2.15	3.10
	7116-6315-06	Ag (L)	N/A					
	7216-6315-02	Sn	761G					
MEDIUM	7296-0795-02	Sn	768G	18-16	0.75-1.0	1.70mm-2.34mm	2.65	3.90
	7116-6316-02	Sn	N/A					
	7116-6316-06	Ag (L)	N/A					
LARGE	7216-6316-02	Sn	761G	14	1.5-2.0	2.20mm-2.80mm	3.30	4.80
	7296-0796-02	Sn	768G					
	7116-6317-02	Sn	N/A					
EXTRA SMALL	7116-6317-06	Ag (L)	N/A	N/A	0.13	0.85mm-1.05mm	1.39	2.13
	7296-0797-02	Sn	768G					
	7116-6886-02	Sn	N/A					
	7216-6886-02	Sn	768G					



DATE	REVISION RECORD	NO.	CHKD
06-17-2024	REVISED PART NUMBER	C24-A393	AZ
03-23-2021	REDRAWN, ADDED TRACEABILITY MARK AND MASS, REVISED DIMENSIONS AND TABLE	C21-A259	AP
03-31-2016	UPDATED INSUL THICKNESS	C16-A273	KP
01-29-2016	ADDED GREASED VERSIONS, ISO WIRES	C16-A094	KP
05-09-2013	ADDED Ag PLATING, GREASED TERMINALS	C13-A281	MMR
11-03-2011	REVISED DIMENSION	C11-A942	MMR
05-09-2011	NEW	C11-A420	MMR

GENERAL TOLERANCE											
A	±0.15	±0.20	±0.30	±0.50	±0.75	±0.20	±0.30	±0.50	±2.50	±3°	0.1
B	±0.20	±0.30	±0.55	±0.95	±1.40	±0.20	±0.30	±0.50	±2.50	±3°	0.1
C	±0.30	±0.50	±0.80	±1.40	±2.00					±3°	0.15
LET	DATE	REVISION RECORD	NO.	CHKD	MASS (0.34) g						

NOTES:

- PARTS MUST BE PURCHASED FROM YAZAKI.
- PARTS MUST BE FREE OF BURRS AND SHARP EDGES THAT MAY BE DETRIMENTAL TO SATISFACTORY ASSEMBLY, SAFE HANDLING OR FUNCTION OF THE PART.
- MATERIAL: COPPER ALLOY
- PLATING: TIN PLATED (ALL OVER)
SILVER PLATED (INSIDE CONTACT AREA)
- MATING PART NUMBER: SEE 7114-6317-02-R DRAWING.
- PART TO COMPLY WITH YPES-31-038 REQUIREMENTS.
- THIS DRAWING IS TO BE USED FOR INTERNAL YAZAKI PSW SUBMISSION.

CUSTOMER		CUSTOMER DWG NO.		MTRL SPEC.		SEE NOTES		TREAT. & FIN.		SEE NOTES	
YNA		7116-6317-02-M		YNA		YNA		YNA		YNA	
NAME: YESC III 1.5mm SYSTEM											
CONNECTOR FEMALE TERMINAL											
PART NO.		7116-6317-02, ETC.									
CH. CODE											
DWG NO.		7116-6317-02-R									
YAZAKI CORPORATION											

Mouser Electronics

Authorized Distributor

Click to View Pricing, Inventory, Delivery & Lifecycle Information:

[Yazaki:](#)

[7116631602](#) [7116631506](#) [7116631606](#) [7116688602](#) [7116631702](#) [7216631502](#) [7296079702](#) [7296079602](#)
[7296079502](#)