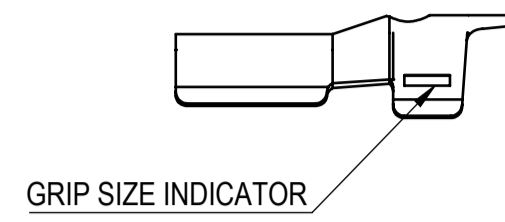


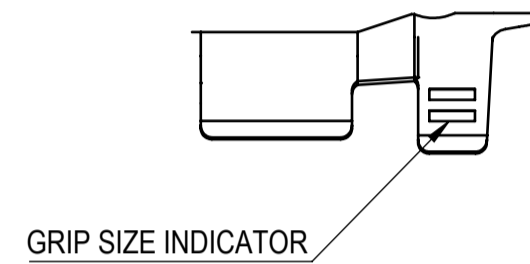
APPLICABLE WIRE GRIP SIZE IDENTIFICATION

(5/1)



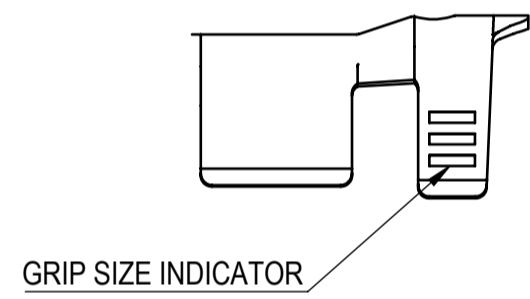
7116-4270-02

(5/1)



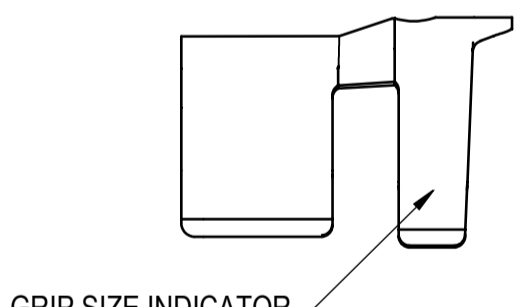
7116-4271-02

(5/1)



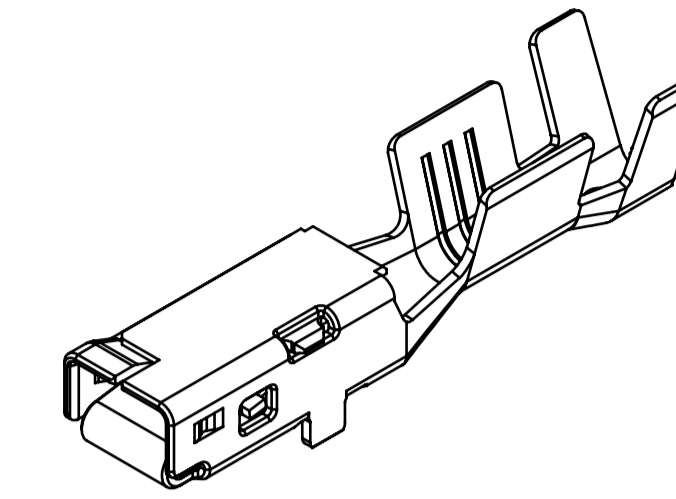
7116-4272-02

(5/1)

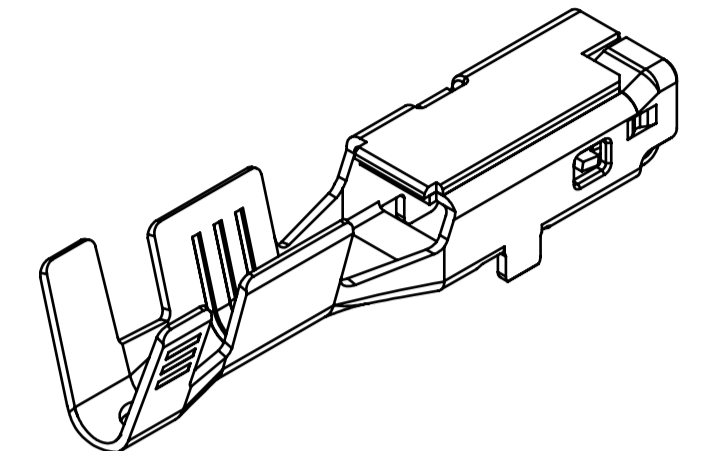


7196-2077-02

PART NUMBER	APPLICABLE WIRE SIZE (SINGLE CRIMP) METRIC (mm ²)	GRIP DIMENSIONS		MASS (g)
		W ₁	W ₂	
7116-4270-02	0.35-0.5 OR EQUIVALENT	2.30	2.80	(0.73)
7116-4271-02	0.75-1.0 OR EQUIVALENT	3.00	3.60	
7116-4272-02	1.5-2.5 OR EQUIVALENT	3.70	4.60	
7196-2077-02	3.0-4.0 OR EQUIVALENT	4.90	6.50	



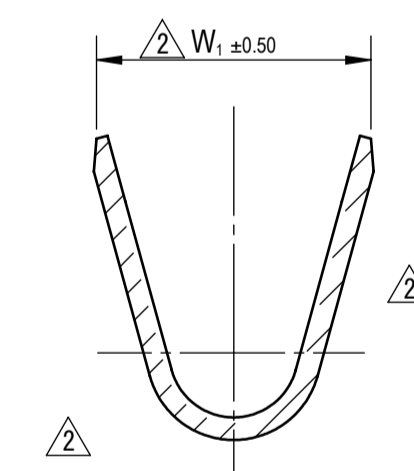
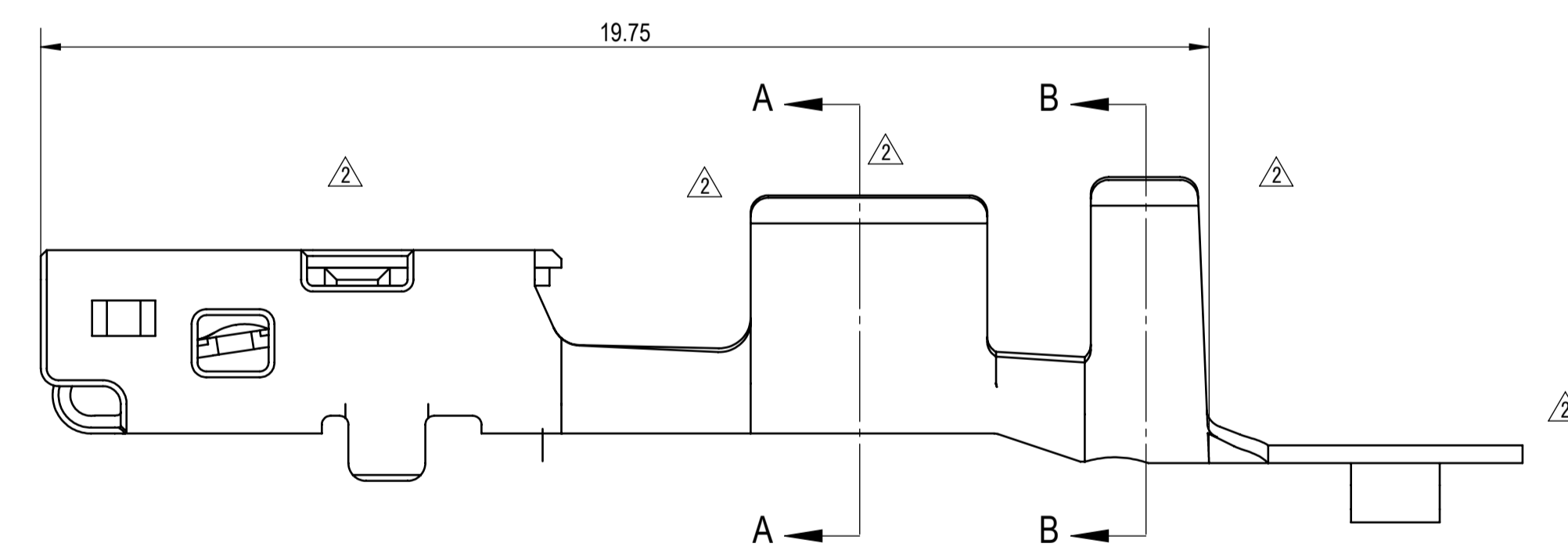
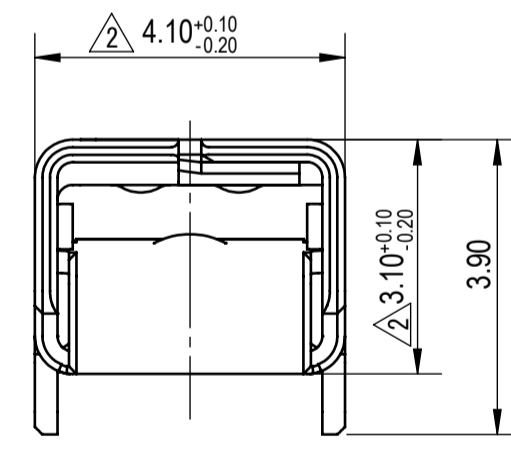
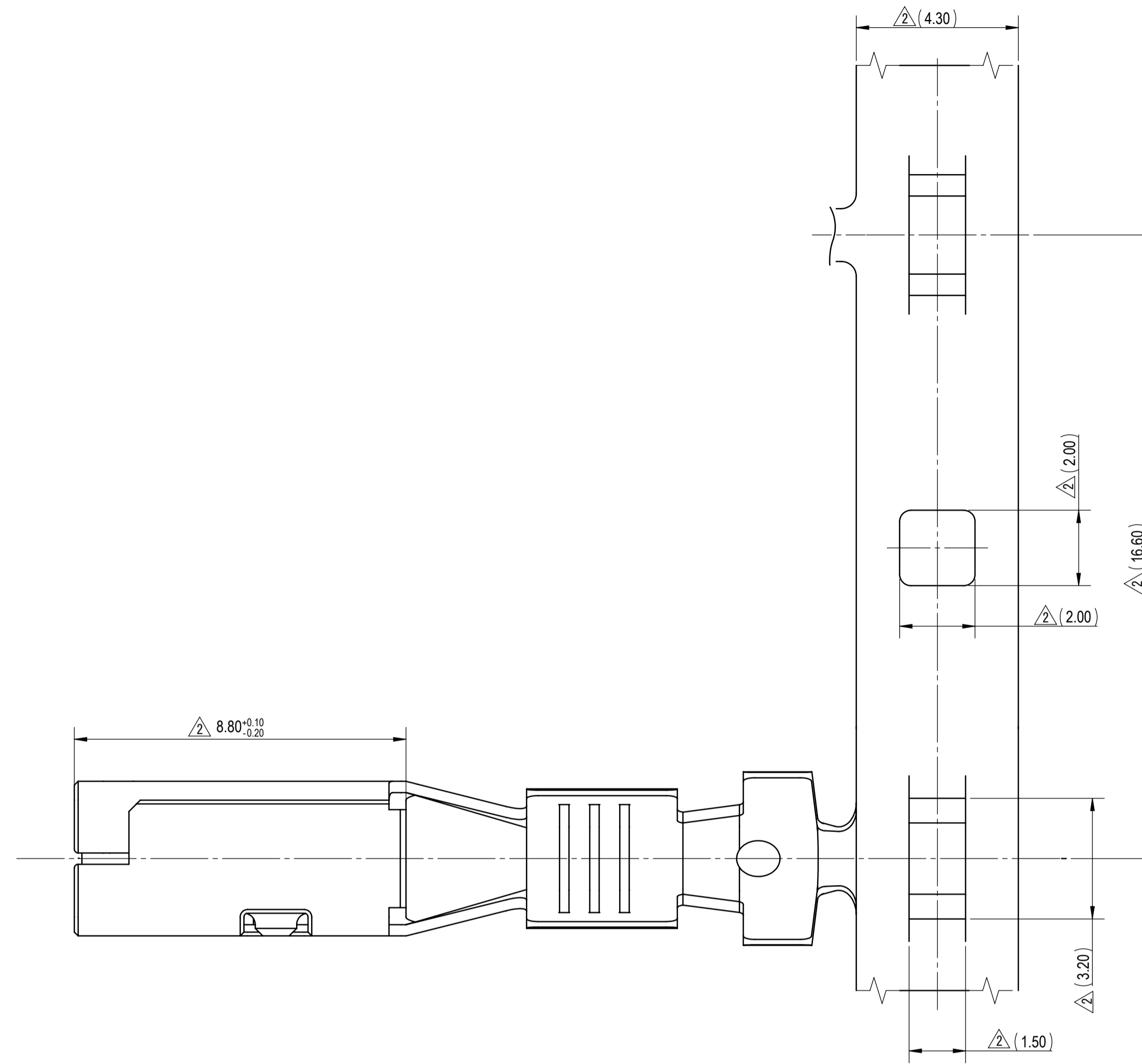
FRONT ISOMETRIC VIEW (5/1)



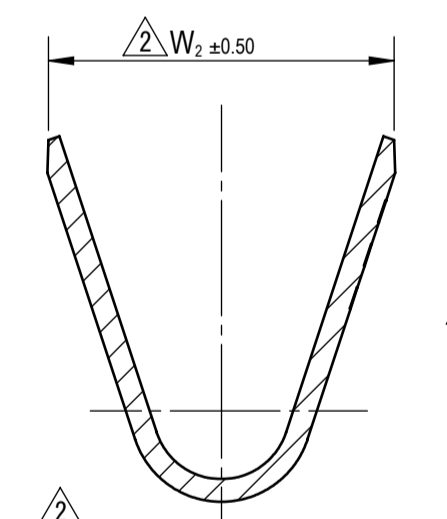
REAR ISOMETRIC VIEW (5/1)

NOTES:

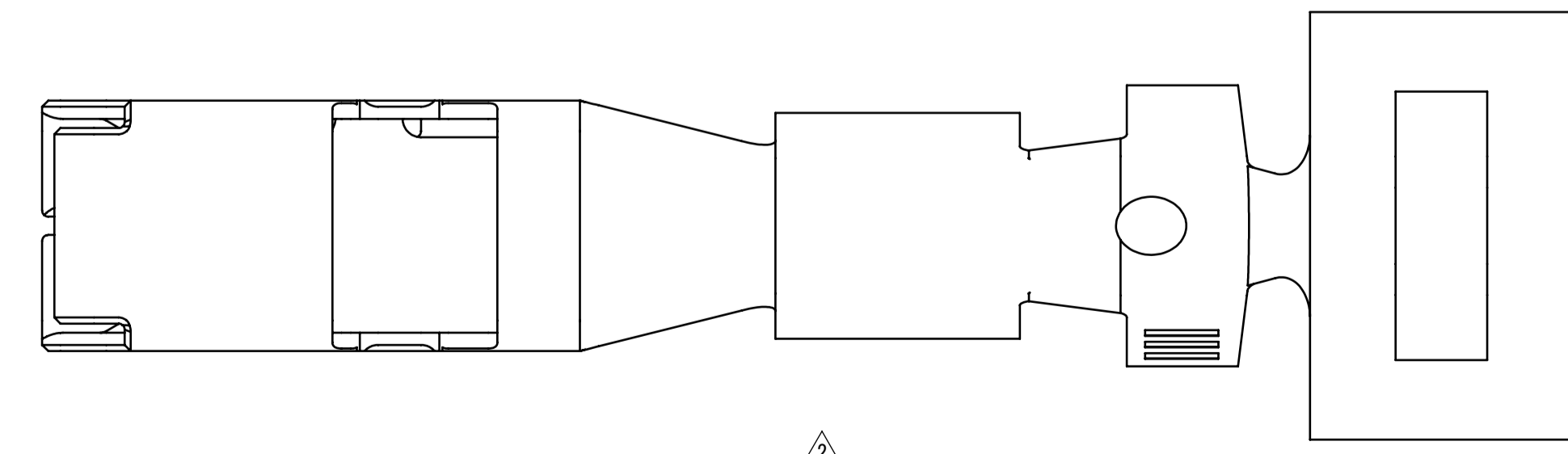
- PARTS MUST BE PURCHASED FROM YAZAKI.
- PARTS MUST BE FREE OF BURRS AND SHARP EDGES THAT MAY BE DETRIMENTAL TO SATISFACTORY ASSEMBLY, SAFE HANDLING OR FUNCTION OF THE PART.
- MATERIAL: COPPER ALLOY.
- PLATING: TIN (Sn) PLATED.
- MATING PART NUMBER: SEE 7114-4110-02:R DRAWING.
- PART TO COMPLY WITH YPES-31-038 REQUIREMENTS
- THIS DRAWING IS TO BE USED FOR INTERNAL YAZAKI PSW SUBMISSION.



SECTION A-A



SECTION B-B



ISSUE MARK

DATE	REVISION RECORD	NO.	CHKD
03-22-2021	REDRAWN, ADDED WIRE SIZE & REVISED NOTES	C21-A253	M.S
05-27-2004	CHANGED NAME, ETC.	C04-Z511	Y.W
07-17-2001	NEW	C01-X670	T.N

GENERAL TOLERANCE											
	10MAX	50MAX	100MAX	250MAX	250OVR	R5 MAX	R10 MAX	R20 MAX	R20 OVR	ANGLE	ECCENT
A	±0.15	±0.20	±0.30	±0.50	±0.75					±3°	0.1
B	±0.20	±0.30	±0.55	±0.95	±1.40	±0.20	±0.30	±0.50	±2.50	±3°	0.15
Ⓢ	±0.30	±0.50	±0.80	±1.40	±2.00						

CUSTOMER PART NO.		CUSTOMER DWG NO.		MTRL SPEC. SEE NOTES		TREAT. & FIN. SEE NOTES	
OFFICE YNA		TRIAL PART NO.		NAME YESC KAIZEN 2.8mm SYSTEM			
VENDOR				UNSEALED FEMALE TERMINAL			
VENDOR NO.		DWG DATE 07-10-2001		UNIT mm		SCL 10/1	
DWG TYPE R		DWG SOURCE 7116-4270-02:M/A		DESIGN		DRAWN	
APPROVED		CHECKED		DESIGN		DRAWN	
NAGANO		MICHELLE SANTILLAN		10-02-2000		04-13-2021	
PART NO. 7116-4270-02, ETC.				DWG NO. 7116-4270-02:R			
YAZAKI CORPORATION							

Mouser Electronics

Authorized Distributor

Click to View Pricing, Inventory, Delivery & Lifecycle Information:

[Yazaki:](#)

[7116427202](#) [7116427102](#) [7196207702](#)