

PART NO. AND CH. CODE	W1±0.4	W2±0.4	△H1	△H2	X	WIRE SIZE		NOTES	
						AVS 0.3~AVS 0.5 EQUIVALENT	AVS 0.5~AVS 1.25 EQUIVALENT	1. MATERIAL: COPPER ALLOY t=0.25 TREATMENT: NICKEL UNDER PLATING GOLD PLATING GOLD FLASH PLATING TIN PLATING	
△(7B16-4028-08) 7116-4028-08	2.30	5.20	(2.19)	(4.21)	0.50	0.80	2. MATING PART NO. : 7114-4028-08 ETC. △3. () PART NO. IS USED FOR PARTS ASSOCIATED WITH AIR BAG (A/B) CIRCUITS OR OTHER SPECIFIED CIRCUIT.		△4. APPLICABLE RUBBER STOPPER NO. : 7158-3006-90 ETC.
△(7B16-4029-08) 7116-4029-08	3.00	5.30	(2.91)	(4.08)	0.80	0.80	TIN PLATING GOLD FLASH PLATING GOLD PLATING GOLD PLATING		△4. APPLICABLE RUBBER STOPPER NO. : 7158-3006-90 ETC. OR OTHER SPECIFIED CIRCUIT.

REVISION RECORD		DATE	LET
CHANGED FORM & ADDED NOTES & CHANGED PLATING. □		01.01.29	△ E.F
CHANGED DIMENSION		98.07.18	△ H.K
CHANGED PLATING, □ & NOTES		97.09.12	△ H.K
ADDED PLATING AREA. □		94.10.31	△ K.O
CHANGED FORM		93.08.18	△ H.F
CORRECTED AN ERROR		92.03.12	△ H.K
NEW		92.03.10	△ H.K
REVISION RECORD		92.03.10	△ H.K

GENERAL TOLERANCE		ECCENT		ANGLE		2500VR		100MAX		50MAX		10MAX	
±0.3	±0.5	±0.8	±1.4	±30'	±30'	±30'	±0.1	±0.15	±0.2	±0.3	±0.5	±0.8	±1.4
±0.3	±0.5	±0.8	±1.4	±30'	±30'	±30'	±0.1	±0.15	±0.2	±0.3	±0.5	±0.8	±1.4

REVISION RECORD		DATE	LET
CHANGED FORM & ADDED NOTES & CHANGED PLATING. □		01.01.29	△ E.F
CHANGED DIMENSION		98.07.18	△ H.K
CHANGED PLATING, □ & NOTES		97.09.12	△ H.K
ADDED PLATING AREA. □		94.10.31	△ K.O
CHANGED FORM		93.08.18	△ H.F
CORRECTED AN ERROR		92.03.12	△ H.K
NEW		92.03.10	△ H.K
REVISION RECORD		92.03.10	△ H.K

CUSTOMER		CUSTOMER PART NO.		CUSTOMER DWG NO.		SPEC.		MATERIAL		TREAT.		FIN.		ISSUE MARK	
C91-X033		H. K		H. K		H. K		H. K		H. K		H. K		H. K	

CUSTOMER		CUSTOMER PART NO.		CUSTOMER DWG NO.		SPEC.		MATERIAL		TREAT.		FIN.		ISSUE MARK	
C92-6321		H. K		H. K		H. K		H. K		H. K		H. K		H. K	

OFFICE		TRIAL PART NO.		VENDOR		VENDOR NO.		VENDOR NO.	
H. K		H. K		H. K		H. K		H. K	

APPROVED		CHECKED		CHECKED		NEW		DWG SOURCE		DWG DATE		UNIT		SCL		ANGLE	
01.02.06		01.02.05		01.01.31		92.03.03		mm		5/1		3		3		3	

DESIGN		DRAWN		CH. CODE		PART NO.		DWG NO.		SET DWG NO.	
A. MAEDA		ISHIJIMA		7116-4028-08		7116-4028-08		7116-4028-08		7116-4028-08	

YAZAKI CORPORATION		90.10.18		01.01.29	
YAZAKI CORPORATION		90.10.18		01.01.29	

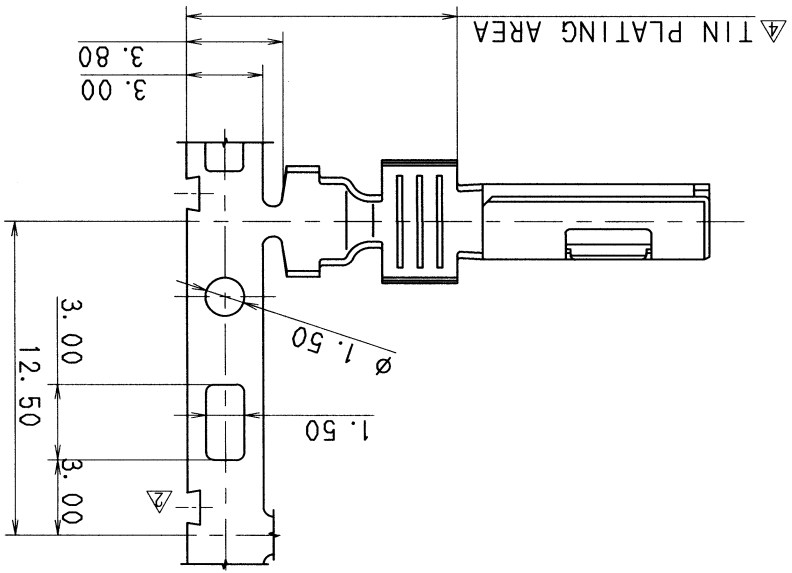
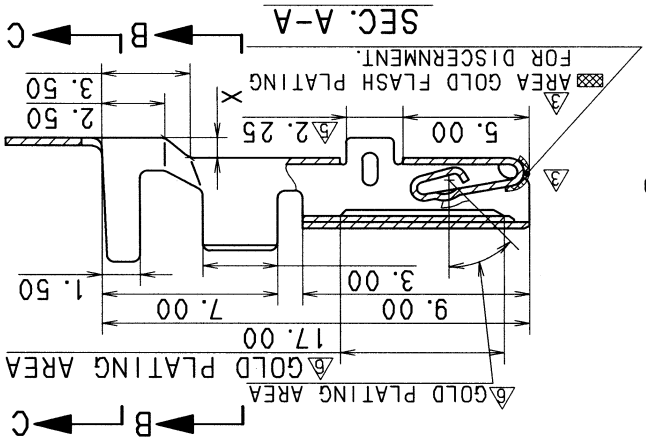
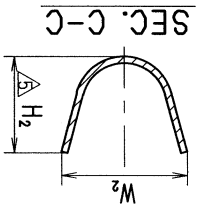
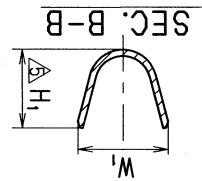
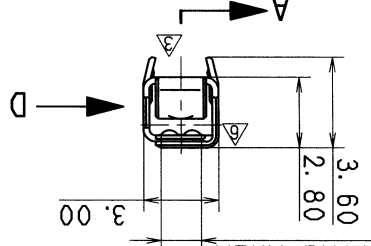
注記

1. 材質: 銅合金 t=0.25
処理: ニッケル下地めっき
めっき
めっき
めっき

2. 適合相手品番: 7114-4028-08 ETC.

3. () 内品番は、エレクトロニクス回路及び特別管理回路に使用する時に適用すること。

4. 適用工具品番: 7158-3006-90 ETC.



Mouser Electronics

Authorized Distributor

Click to View Pricing, Inventory, Delivery & Lifecycle Information:

[Yazaki:](#)

[7116402808](#) [7116402908](#)