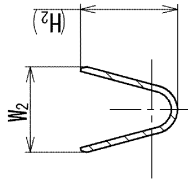
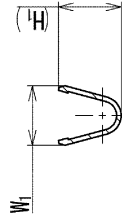


2 3

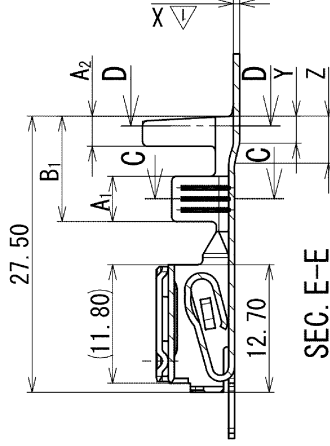
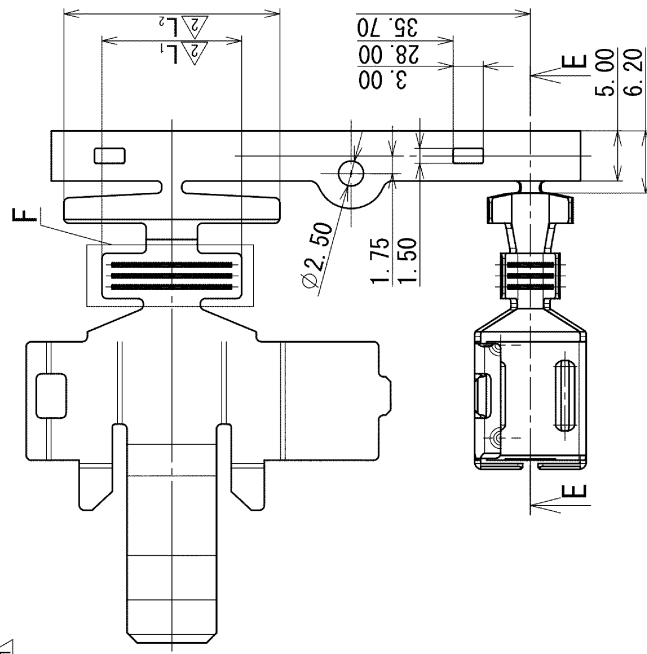
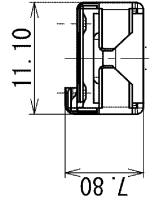
PART NO. AND CH. CODE	Δ L ₁	Δ L ₂	W ₁	H ₁	W ₂	H ₂	B ₁	A ₁	A ₂	X	Y	Z
7116-3096-02	9.90	11.80	4.75	4.37	5.74	5.08	7.20	4.00	1.70	-	-	-
7116-3097-02, Δ	13.90	21.50	5.91	6.25	8.51	9.66	10.50	4.50	3.00	0.50	2.70	4.70
7116-3098-02	16.80	26.50	6.92	7.55	10.31	11.87	10.50	5.50	3.00	0.50	3.20	5.20
Δ 7196-0515-02	8.90	10.90	4.30	4.19	5.10	4.98	7.20	4.00	1.70	-	-	-
Δ 7196-0516-02	9.90	11.80	4.75	4.37	5.74	5.08	7.20	4.00	1.70	-	-	-



SEC. D-D



SEC. C-C



SEC. E-E

	7116-3096-02
	7116-3097-02 7116-3098-02
	7196-0515-02 7196-0516-02

Δ DETAIL F

MATERIAL: COPPER ALLOY (E-0.60)		TREAT. & FIN.	
NAME: Δ T9.5 RELAY TERMINAL FEMALE		PART NO. 7116-3096-02 ETC.	
TRIAL PART NO.		CH. CODE	
VENDOR NO.		DWG NO. 7116-3096-02:R	
CUSTOMER: CUSTOMER PART NO.		DRAWN: J. LABAN	
OFFICE		DESIGN: SAWADA	
CHECKED		CHECKED: M. NAGANO	
APPROVED: S. SUZUKI		APPROVED: T. SHIMIZU	
DATE: 2015/09/02		DATE: 2015/09/02	
REVISION RECORD		DATE: 1998/07/22	
GENERAL TOLERANCE		DATE: 2015/09/02	
10MAX	50MAX	100MAX	250MAX
A	± 0.15	± 0.2	± 0.3
B	± 0.2	± 0.3	± 0.5
C	± 0.3	± 0.5	± 0.95
ANG	$\pm 30'$	$\pm 30'$	$\pm 30'$
ANG	$\pm 30'$	$\pm 30'$	$\pm 30'$
MASS	g		
SPECIFIED			

YAZAKI CORPORATION

2 3

Mouser Electronics

Authorized Distributor

Click to View Pricing, Inventory, Delivery & Lifecycle Information:

[Yazaki:](#)

[7116309802](#)