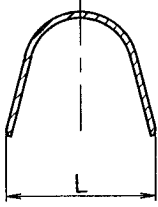
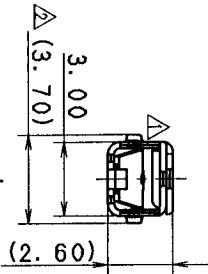


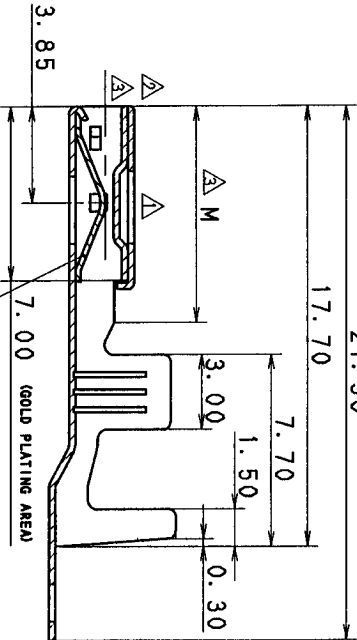
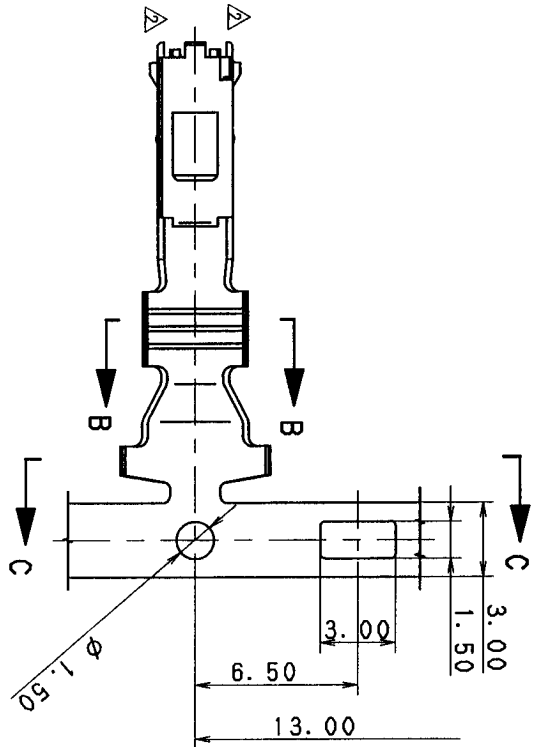
SEC. B-B



SEC. C-C



SEC. A-A



SEC. A-A SPRING (GOLD PLATING : WHOLE SPRING)

YAZAKI PART NO.	K	L	M	APPLICABLE WIRE SIZE	TREATMENT
7116-1530. □				AVS0. 3~0. 85 CAVUS0. 5 △	TIN PLATING
7116-1530-08. □	3. 30	5. 50	7. 70	EQUIVALENT	GOLD PLATING
7116-1531				AVS1. 25~2. 00	TIN PLATING
7116-1531-08	3. 60	6. 00	8. 70	EQUIVALENT	GOLD PLATING

注記  
1. 材質  
本体 : 黄銅 t=0. 25  
バネ : 銅/チタン t=0. 20

NOTES  
1. MATERIAL  
BODY : BRASS, t=0. 25  
SPRING : COPPER BERYLLIUM, t=0. 20

REV.	DATE	REVISION RECORD	NO.	CHKD
△	97. 07. 30	ADDED WIRE SIZE	C97-7658	K. U
△	97. 06. 24	CHANGED FORM. □	C97-M294	H. K
△	89. 04. 21	形状変更	C89-6612	矢野
△	89. 01. 09	形状変更	C89-6068	T. N
△	88. 09. 27	NEW	BMC-1230	S. K

LET	DATE	REVISION RECORD	NO.	CHKD
		GENERAL TOLERANCE		
		VENDOR NO.		
		DWG. TYPE		
		DWG. SOURCE		
		DWG. DATE		
		UNIT		
		SCL. ANGLE		
		PART NO.		
		CH. CODE		
		DWG. NO.		

MATL. SPEC.	SEE NOTES	TREAT. & FIN.	ISSUE MARK
△ E TYPE TERMINAL			
7116-1530 ETC.			
7116-1530:R			
YAZAKI CORPORATION			

10MAX	50MAX	100MAX	250MAX	500VR	ANGLE	ECCENT
A ±0. 15	±0. 2	±0. 3	±0. 5	±0. 75	±30'	0. 1
B ±0. 2	±0. 3	±0. 55	±0. 95	±1. 4	±30'	0. 1
C ±0. 3	±0. 5	±0. 8	±1. 4	±2	±30'	0. 15

SPECIFIED

1

2

3

1

2

3

B

B

A

A

# Mouser Electronics

Authorized Distributor

Click to View Pricing, Inventory, Delivery & Lifecycle Information:

[Yazaki:](#)

[71161530](#) [71161531](#) [7116153008](#) [7116153108](#)