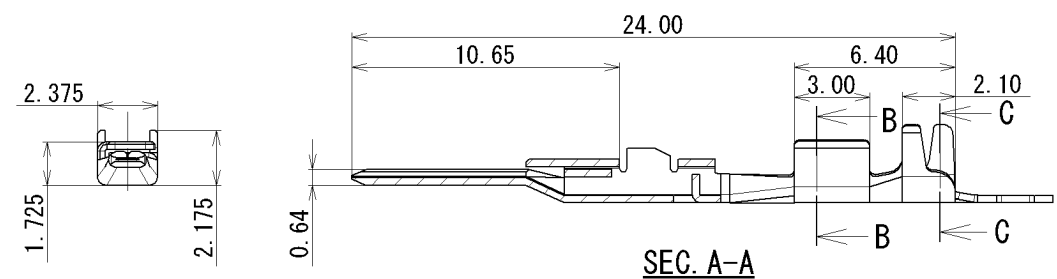
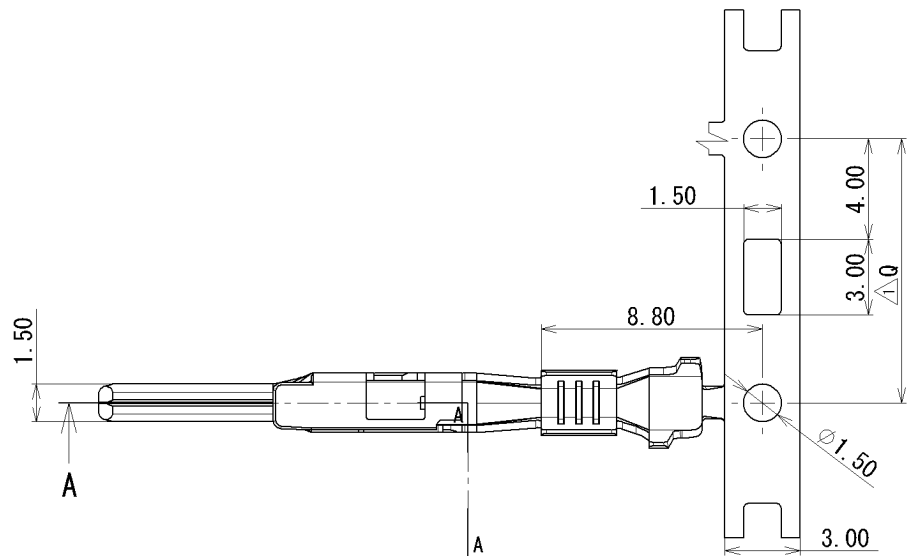


GENERAL TOLERANCE											
	10 MAX	50 MAX	100 MAX	250 MAX	250 OVR	R5 MAX	R10 MAX	R20 MAX	R20 OVR	ANGLE	ECCENT
A	±0.15	±0.2	±0.3	±0.5	±0.75	±0.2	±0.3	±0.5	±2.5	±3°	0.1
B	±0.2	±0.3	±0.55	±0.95	±1.4					±3°	0.1
C	±0.3	±0.5	±0.8	±1.4	±2					±3°	0.15

PART NO. AND CH CODE	W1	H1	R1	W2	H2	R2	△Q	APPLICABLE WIRE SIZE
7114-5746-02	2.60	(2.50)	R0.60	3.60	(3.11)	R1.10	9.00	CHFUS 0.35sq~HFSS 0.50sq
7114-5747-02	3.14	(3.05)	R0.70	4.49	(3.70)	R1.40	9.00	CHFUS 0.75sq~HFSS 1.25sq
7114-5748-02	4.20	(3.30)	R0.90	4.90	(4.70)	R1.40	10.50	HFSS 1.5sq~2.0sq



- NOTES**
1. APPLICABLE WIRE SIZE : SEE TABLE
  2. FEMALE COUNTERPART NO. : 7116-5749-02 ETC.
- 注記**
1. 適用電線サイズ：構成表参照
  2. かん合メス端子品番：7116-5749-02 ETC.

CUSTOMER										MATERIAL SPEC.		TREAT. & FIN.					
CUSTOMER PART NO.					CUSTOMER DWG NO.					COPPER ALLOY (t=0.3)		TIN PLATING 0.8~1.5μm					
OFFICE					TRIAL PART NO.					NAME 1.5 TERMINAL MALE							
VENDOR					VENDOR NO.					PART NO. 7114-5746-02 ETC.							
DWG TYPE					DWG SOURCE					DWG DATE		UNIT		SCL		ANGLE	
R					NEW					2007/09/19		mm		5:1		3	
APPROVED					CHECKED					DESIGN		DRAWN		DWG NO. 7114-5746-02:R			
M. FUKUDA					S. SUZUKI					T. MURO		T. MURO		S. CALDEA		SET DWG NO.	
2010/07/02					2010/07/02					2010/07/02		2007/07/06		2010/07/02		YAZAKI CORPORATION	

# Mouser Electronics

Authorized Distributor

Click to View Pricing, Inventory, Delivery & Lifecycle Information:

[Yazaki:](#)

[7114574602](#) [7114574702](#)