

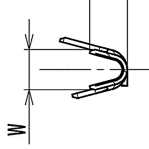
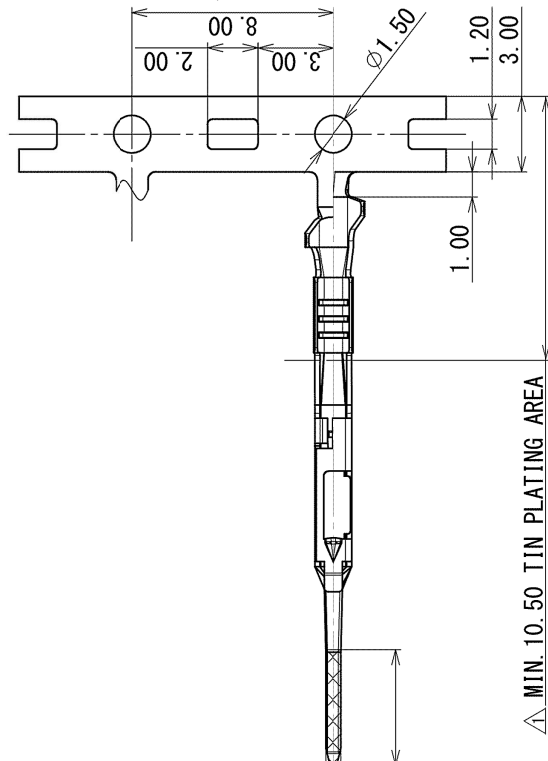
| PART NO. AND CH. CODE | △PART NAME | △TREATMENT | W | △H | APPLICABLE WIRE SIZE (sq.) |
|-----------------------|------------------------------|--------------|------|--------|----------------------------|
| 7114-4728-02 | 0.64 II TERMINAL (MALE (SS)) | TIN PLATING | 1.60 | (1.80) | CHFUS 0.22~ CHFUS 0.35 |
| 7114-4729-02 | 0.64 II TERMINAL (MALE (S)) | TIN PLATING | 1.95 | (2.19) | CAVUS 0.3~ CAVUS 0.5 |
| 7114-4728-08 | 0.64 II TERMINAL (MALE (SS)) | GOLD PLATING | 1.60 | (1.80) | CHFUS 0.22~ CHFUS 0.35 |
| 7114-4729-08 | 0.64 II TERMINAL (MALE (S)) | GOLD PLATING | 1.95 | (2.19) | CAVUS 0.3~ CAVUS 0.5 |
| 7195-0783-08 | 0.64 II TERMINAL (MALE (SS)) | GOLD PLATING | 1.60 | (1.80) | CHFUS 0.22~ CHFUS 0.35 |

注記

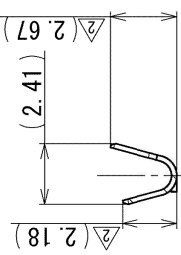
- △1. 取扱説明書No.: YPES-15-541
- △2. ()内の品番はA/B回路及び特別管理回路に使用すること。
- △3. 金メッキ端子 7114-4728-08 (7B14-4728-08)、
7114-4729-08 (7B14-4729-08)、7195-0783-08 (7B95-0783-08)に適用する。

NOTES

- △1. HANDLING MANUAL NO.: YPES-15-541
- △2. PART NUMBERS IN PARENTHESIS SHALL BE USED FOR AIR BAG (A/B) CIRCUITS AND OTHER CIRCUITS DESIGNATED FOR SPECIAL CONTROL.
- △3. GOLD PLATING IS APPLIED TO 7114-4728-08 (7B14-4728-08),
7114-4729-08 (7B14-4729-08), 7195-0783-08 (7B95-0783-08).

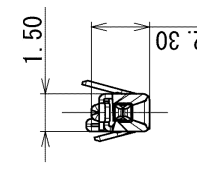
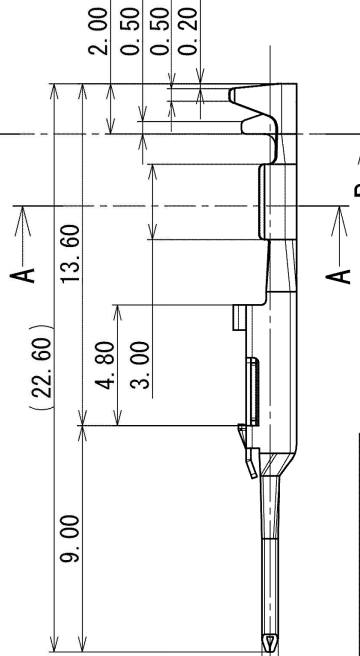


SEC. A-A

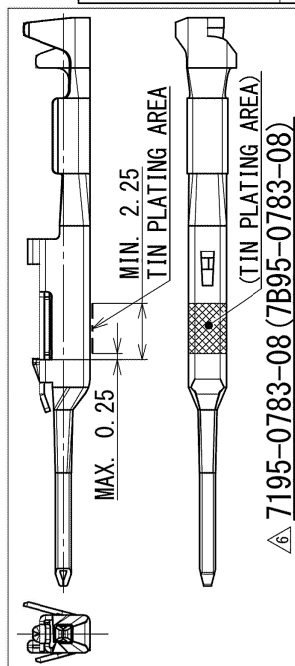


SEC. B-B

△ MIN. 10.50 TIN PLATING AREA



A



△ 7195-0783-08 (7B95-0783-08)

| DATE | REVISION RECORD | NO. | CHKD |
|------------|-----------------------------------|----------|------|
| 2016/01/22 | ADDED PART NO., ETC. | C16-Z029 | A. Q |
| 2015/07/16 | ADDED DIMENSIONS, ETC. | C15-Z317 | R. G |
| 2014/11/06 | ADDED A/B PART NO., ETC. | C14-Z657 | B. A |
| 2010/02/15 | ADDED A/B PART NO., ETC. | C10-Z073 | T. O |
| 2005/05/16 | ADDED A/B PART NO., ETC. | C05-Z769 | K. W |
| 2002/10/16 | ADDED PART NO. & PLATING AREA NEW | C02-Y050 | Y. I |
| 2002/07/23 | NEW | C02-X768 | Y. S |

| LET | DATE | REVISION RECORD | NO. | CHKD | |
|-------------------|-------|-----------------|--------|-------|-------|
| GENERAL TOLERANCE | | | | | |
| TOMAX | 50MAX | 100MAX | 2500VR | ANGLE | |
| A | ±0.15 | ±0.2 | ±0.3 | ±0.5 | ±0.75 |
| B | ±0.2 | ±0.3 | ±0.55 | ±1.4 | ±30' |
| C | ±0.3 | ±0.5 | ±0.8 | ±1.4 | ±30' |

| CUSTOMER | | CUSTOMER PART NO. | | CUSTOMER DWG NO. | |
|------------|-------------|-------------------|-------|------------------|-------|
| VENDOR | | TRIAL PART NO. | | VENDOR NO. | |
| DWG TYPE | | DWG SOURCE | | DWG DATE | |
| APPROVED | CHECKED | NEW | | 2002/07/23 | |
| S. SUZUKI | N. SAKAMOTO | | | UNIT | SCALE |
| 2016/01/22 | 2016/01/22 | | | 5:1 | 3 |
| T. SEKINO | H. YOSHIDA | DESIGN | DRAWN | ANGLE | |
| 2002/06/17 | 2002/06/17 | A. QUIROL | | | |

| MATERIAL SPEC. | | TREAT. & FIN. | | ISSUE MARK | |
|--------------------|--|---|--|-------------|--|
| NAME | | 0.64 II TERMINAL MALE | | | |
| PART NO. | | △ 7114-4728-02 ETC. (7B14-4728-08 ETC.) | | △ | |
| CH. CODE | | 7114-4728-02-R | | SET DWG NO. | |
| DWG NO. | | 7114-4728-02-R | | | |
| YAZAKI CORPORATION | | | | | |

YAZAKI CORPORATION

Mouser Electronics

Authorized Distributor

Click to View Pricing, Inventory, Delivery & Lifecycle Information:

[Yazaki:](#)

[7114472902](#) [7114472808](#) [7114472802](#)