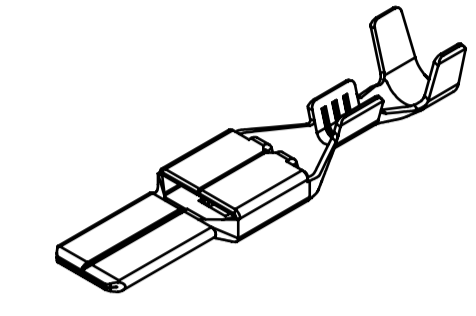
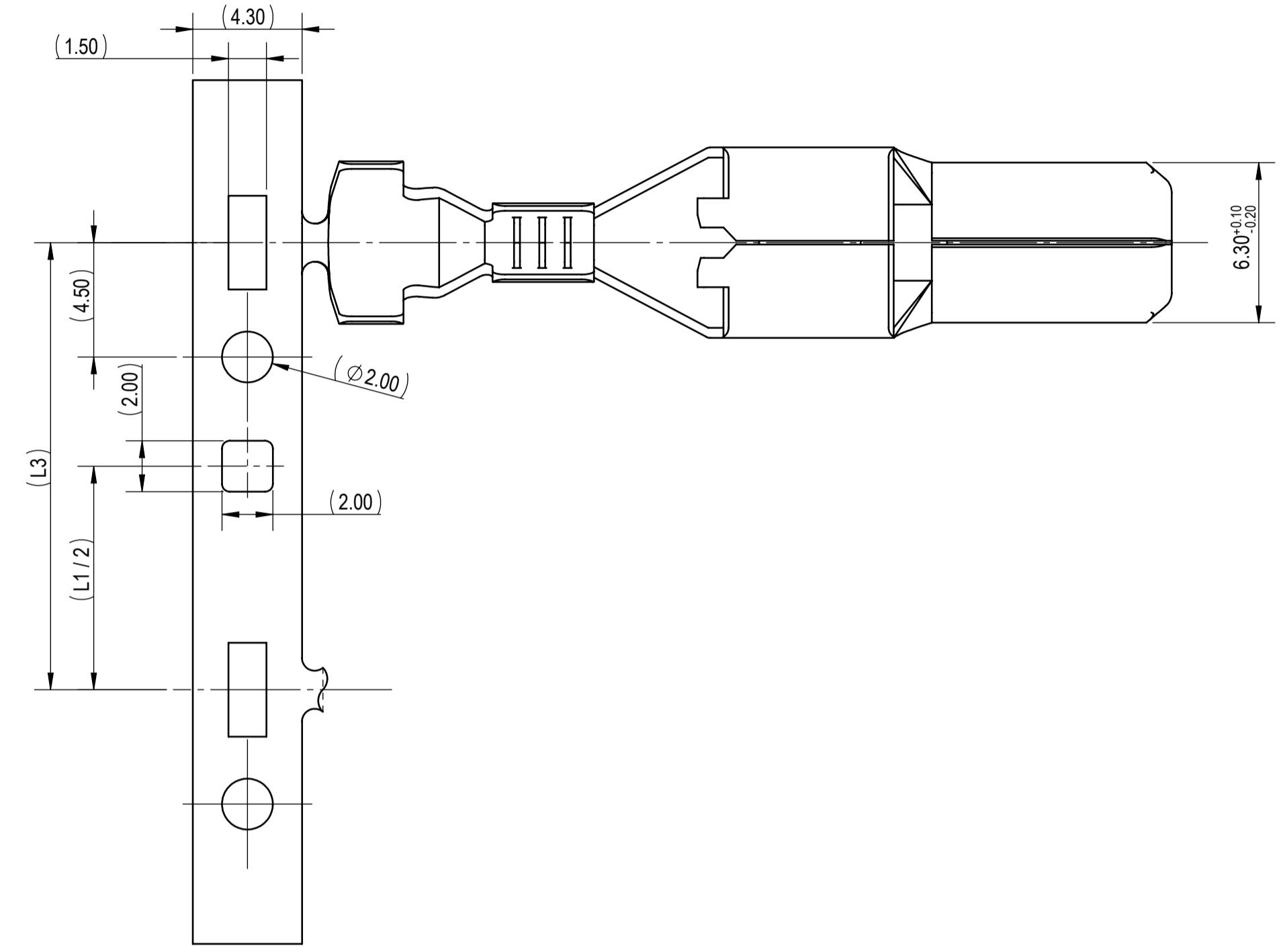
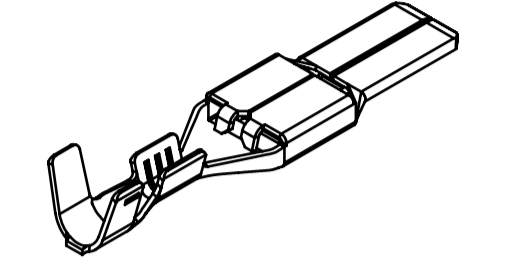


APPLICABLE WIRE GRIP SIZE IDENTIFICATION				
E	(5/1)		7114-4140-02	
D	(5/1)		7114-4141-02	
C	(5/1)		7114-4142-02	
B	(5/1)		7114-4143-02, ETC.	

PART NUMBER	PLATING	PLATING MARK	APPLICABLE WIRE SIZE (SINGLE CRIMP)		GRIP DIMENSIONS		CARRIER STRIP DIMENSIONS	MASS (g)
			METRIC (mm <sup>2</sup> )	INSULATION O.D (mm)	W1	W2	L3	
7114-4140-02	Sn	-	0.5 - 1.0	1.40 - 2.10	3.10	6.40	17.60	(1.23)
7114-4141-02	Sn	-	1.5 - 2.5	2.20 - 3.00	4.00	7.30	17.60	(1.30)
7114-4142-02	Sn	-	3.0 - 4.0	3.10 - 3.70	5.00	8.30	18.00	(1.37)
7114-4143-02	Sn	-	5.0 - 6.0	3.90 - 4.30	5.60	9.10	20.60	(1.42)
7195-2561-06	Ag	L	5.0 - 6.0	3.90 - 4.30	5.60	9.10	20.60	(1.42)



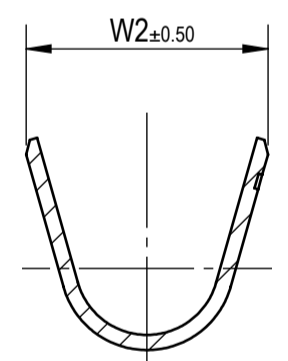
FRONT ISOMETRIC VIEW (2/1)



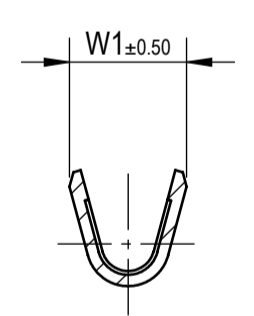
REAR ISOMETRIC VIEW (2/1)

NOTES:

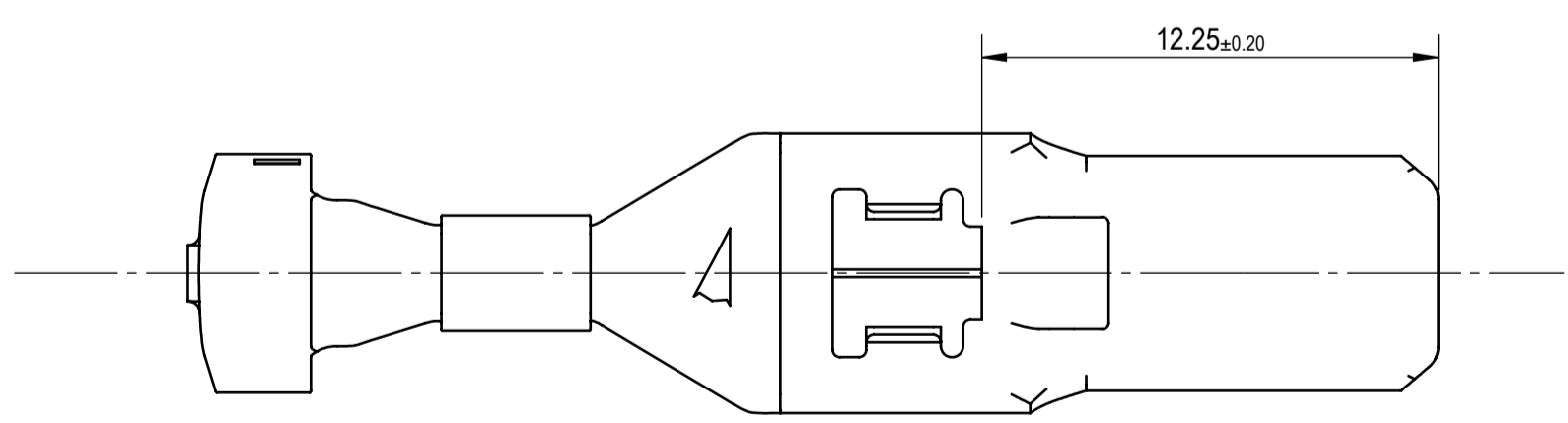
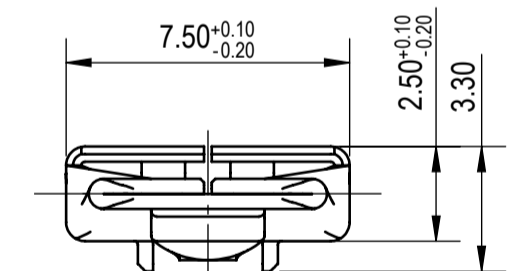
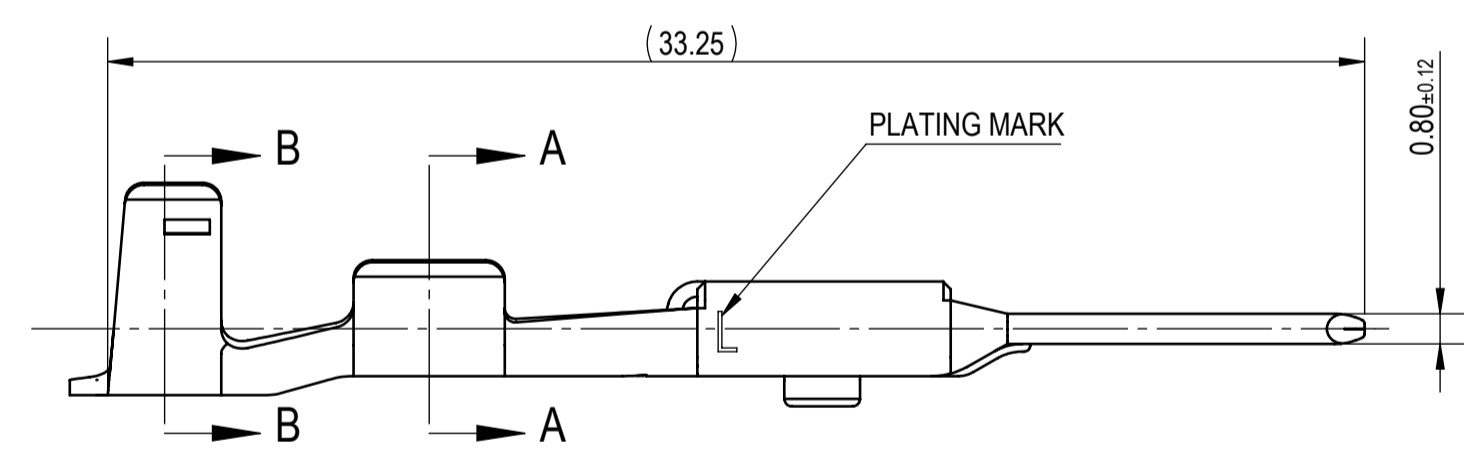
- PARTS MUST BE PURCHASED FROM YAZAKI.
- PARTS MUST BE FREE OF BURRS AND SHARP EDGES THAT MAY BE DETRIMENTAL TO SATISFACTORY ASSEMBLY, SAFE HANDLING OR FUNCTION OF THE PART.
- MATERIAL: COPPER ALLOY
- PLATING: SEE TABLE
- MATING PART NUMBER: SEE 7116-4140-02-R DRAWING.
- APPLICABLE WIRE SEAL: SEE 7158-3081-50-R AND 7158-3084-40-R DRAWINGS.
- PART TO COMPLY WITH YPES-31-038 REQUIREMENTS.
- THIS DRAWING IS TO BE USED FOR INTERNAL YAZAKI PSW SUBMISSION.
- HANDLING MANUAL NUMBER: YPES-15-300.



SECTION B-B



SECTION A-A



08-17-2023	REDRAWN TO THE LATEST STANDARDS, UPDATED NOTES & ADDED SILVER CONFIGURATION	C23-A614	I.B
08-01-1996	NEW	C96-M173	H.K
LET	DATE	REVISION RECORD	NO. CHKD

GENERAL TOLERANCE											
A	±0.15	±0.20	±0.30	±0.50	±0.75	R5 MAX	R10 MAX	R20 MAX	R20 OVR	ANGLE	ECCENT
B	±0.20	±0.30	±0.55	±0.95	±1.40	±0.20	±0.30	±0.50	±2.50	±3°	0.1
C	±0.30	±0.50	±0.80	±1.40	±2.00					±3°	0.15
SPECIFIED											MASS
											SEE TABLE

CUSTOMER N/A	CUSTOMER PART NO.	CUSTOMER DWG NO.	MATL SPEC.	SEE NOTES	TREAT. & FIN.	SEE NOTES
OFFICE	YNA	TRIAL PART NO.	NAME 6.3mm SYSTEM SEALED MALE TERMINAL			
VENDOR						
VENDOR NO.						
DWG TYPE	DWG SOURCE	DWG DATE	UNIT	SCL	ANGLE	PART NO. CH. CODE
R	7114-4140-02.M	08-01-1996	mm	5/1	3	7114-4140-02, ETC.
APPROVED	CHECKED	CHECKED	DESIGN	DRAWN	DWG NO. 7114-4140-02-R SET DWG NO. (1/1)	
			IWAHORI	ISABEL BACA	YAZAKI CORPORATION	
			03-20-1996	08-17-2023		

# Mouser Electronics

Authorized Distributor

Click to View Pricing, Inventory, Delivery & Lifecycle Information:

[Yazaki:](#)

[7114414202](#)