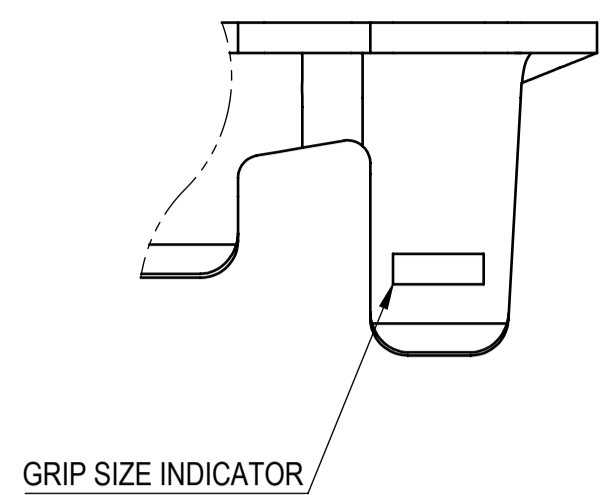


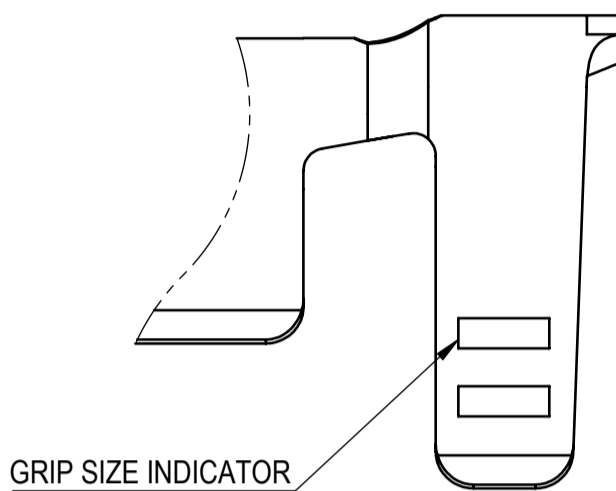
APPLICABLE WIRE GRIP SIZE IDENTIFICATION

(10/1)



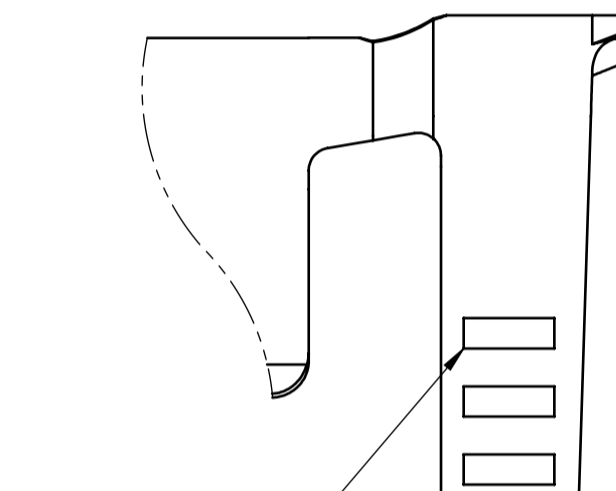
7114-4120-02

(10/1)



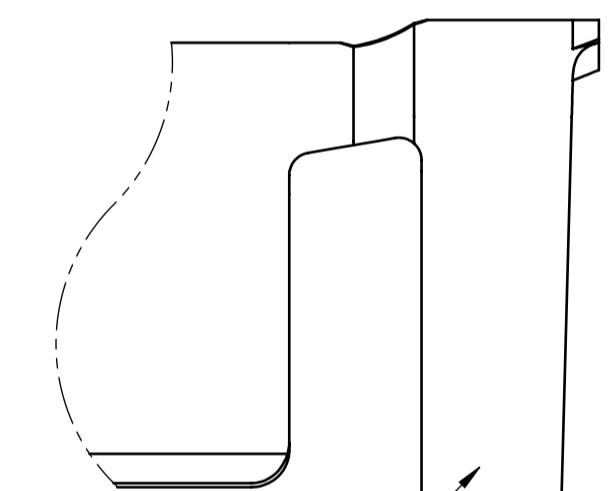
7114-4121-02

(10/1)

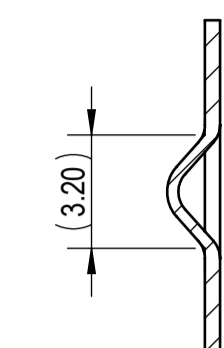


7114-4122-02

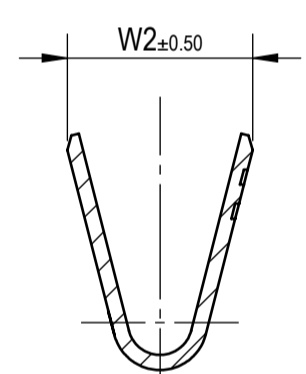
(10/1)



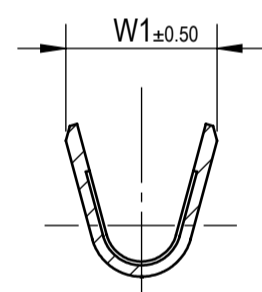
7114-4124-02, ETC.



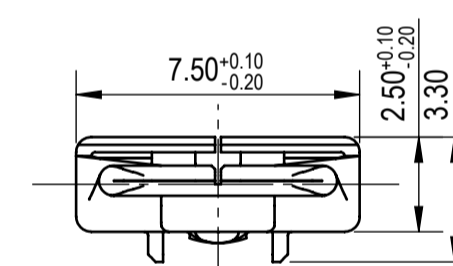
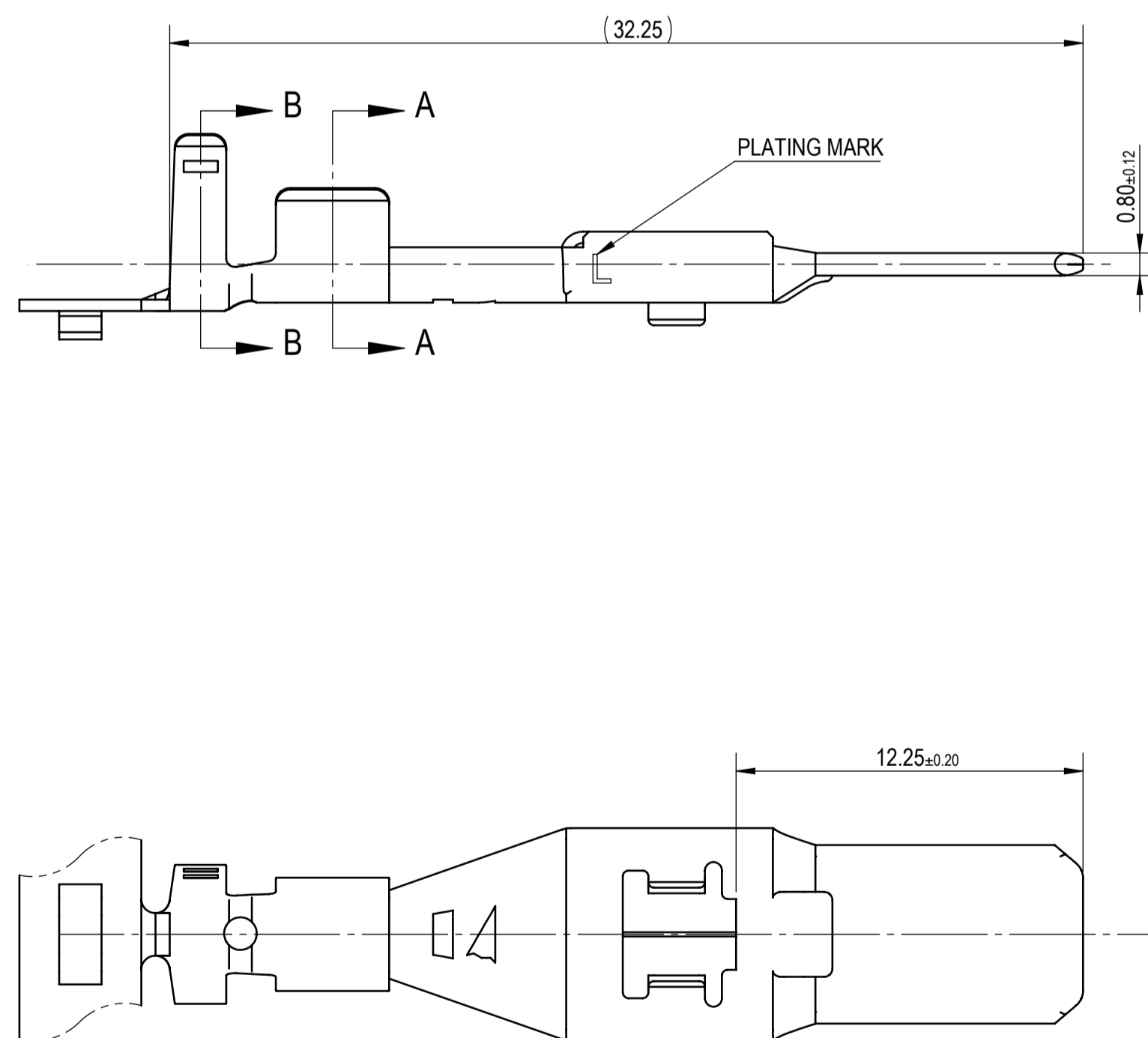
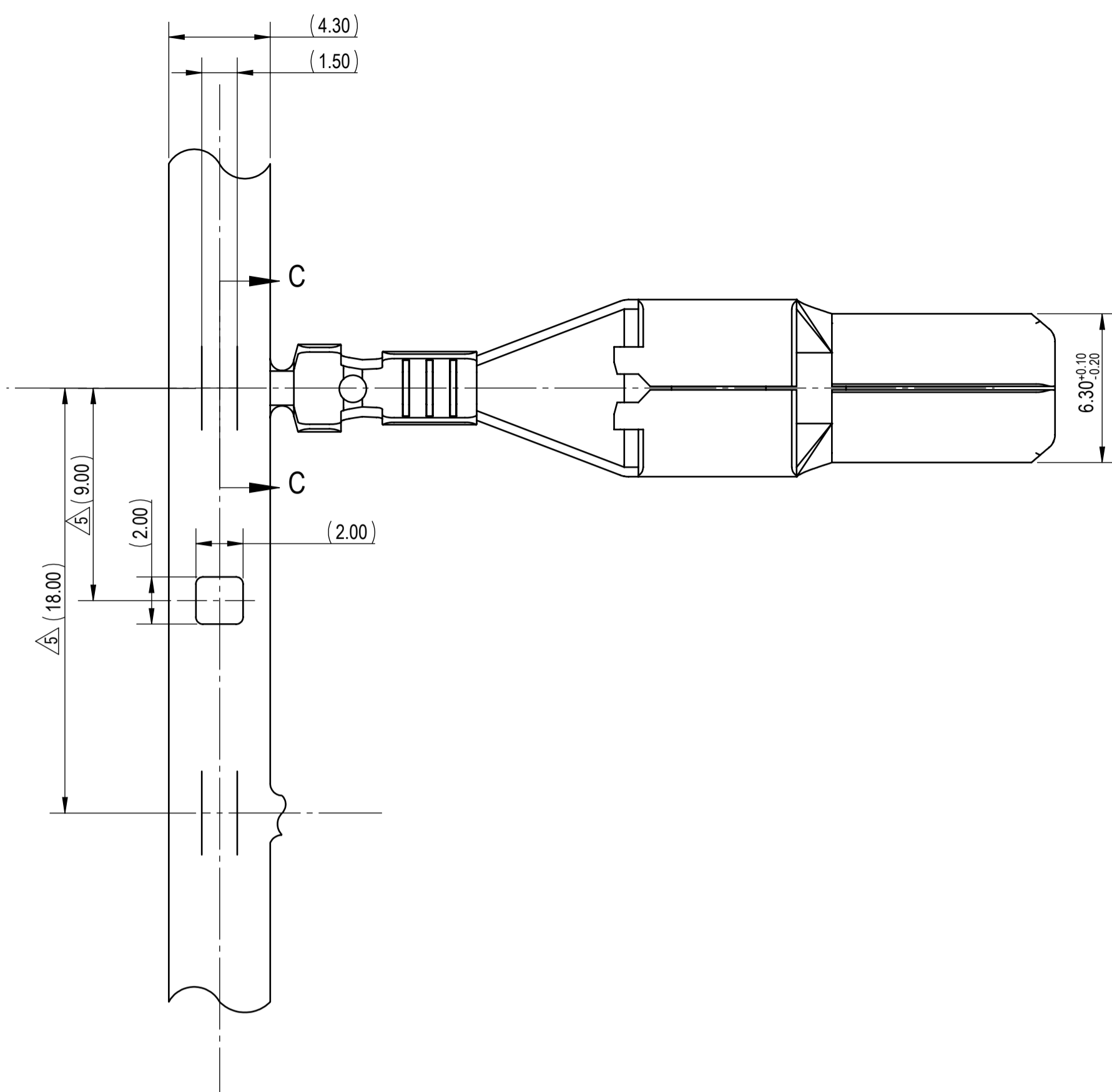
SECTION C-C



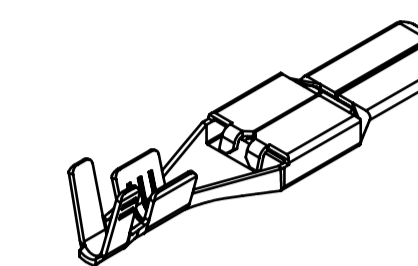
SECTION B-B



SECTION A-A



FRONT ISOMETRIC VIEW (2/1)



REAR ISOMETRIC VIEW (2/1)

PART NUMBER	PLATING	PLATING MARK	APPLICABLE WIRE SIZE (SINGLE CRIMP)		GRIP DIMENSIONS		MASS (g)
			ISO (mm ²)	INSULATION O.D (mm)	W1	W2	
7114-4120-02	Sn	-	0.5 ~ 1.0	1.40 - 2.10	3.10	3.70	(1.18)
7114-4121-02	Sn	-	1.5 ~ 2.5	2.20 - 3.00	4.00	4.90	(1.24)
7114-4122-02	Sn	-	3.0 ~ 4.0	3.10 - 3.70	5.00	5.70	(1.29)
7114-4124-02	Sn	-	5.0 ~ 6.0	3.90 - 4.30	5.60	6.60	(1.40)
7114-4124-06	Ag	L	5.0 ~ 6.0	3.90 - 4.30	5.60	6.60	(1.40)

NOTES:

- PARTS MUST BE PURCHASED FROM YAZAKI.
- PARTS MUST BE FREE OF BURRS AND SHARP EDGES THAT MAY BE DETRIMENTAL TO SATISFACTORY ASSEMBLY. SAFE HANDLING OR FUNCTION OF THE PART.
- MATERIAL: COPPER ALLOY
- PLATING: SEE TABLE
- APPLICABLE WIRE SIZE: SEE TABLE
- MATING PART NUMBER: SEE 7116-4120-02:R DRAWING.
- PART TO COMPLY WITH YPES-31-038 REQUIREMENTS.
- THIS DRAWING IS TO BE USED FOR INTERNAL YAZAKI PSW SUBMISSION.
- HANDLING MANUAL NUMBER: YPES-15-599E.

LET	DATE	REVISION RECORD	NO.	CHKD
△	07-18-2024	ADD NEW SECTION VIEW, REVISED DIMENSION AND TABLE, REVISE NOTE SPELLING.	C24-A438	A.Z
△	09-05-2023	REDRAWN TO THE LATEST STANDARDS UPDATED WIRE SIZE RANGE AND ADDED SILVER CONFIGURATION	C23-A649	I.B
-	08-28-1995	NEW	C95-M160	I.I

GENERAL TOLERANCE										
	10MAX	50MAX	100MAX	250MAX	250OVR	R5 MAX	R10 MAX	R20 MAX	R20 OVR	ANGLE
A	±0.15	±0.20	±0.30	±0.50	±0.75					±3°
B	±0.20	±0.30	±0.55	±0.95	±1.40	±0.20	±0.30	±0.50	±2.50	±3°
Ⓢ	±0.30	±0.50	±0.80	±1.40	±2.00					±3°
SPECIFIED										MASS SEE TABLE

CUSTOMER N/A		CUSTOMER PART NO.		CUSTOMER DWG NO.		MATERIAL SPEC.		TREAT. & FIN.	
OFFICE		YNA		TRIAL PART NO.		NAME		6.3mm SYSTEM UNSEALED MALE TERMINAL	
VENDOR						PART NO.		7114-4120-02, ETC.	
VENDOR NO.						DWG NO.		7114-4120-02:R	
DWG TYPE		R		DWG SOURCE		DWG DATE		08-28-1995	
APPROVED		CHECKED		CHECKED		DESIGN		DRAWN	
SAWAYANAGI		ADRIANA ZAPATA		05-29-1995		07-18-2024		SET DWG NO. (1/1)	
YAZAKI CORPORATION									

ISSUE MARK

Mouser Electronics

Authorized Distributor

Click to View Pricing, Inventory, Delivery & Lifecycle Information:

[Yazaki:](#)

[7114412402](#) [7114412102](#) [7114412002](#) [7114412202](#)