

1

2

3

YAZAKI PART NO.	APPLICABLE WIRE SIZE	H <sub>1</sub>	H <sub>2</sub>	W <sub>1</sub>	W <sub>2</sub>	MATL. & SPEC.
7114-1300 (7B14-1300)	AVS, CAVS 0.2~0.3sq	2.2	3.1	2.1	2.9	黄銅Sn<sup>99</sup># (t=0.30)
7114-1301 (7B14-1301)	AVS, CAVS 0.5~0.85sq	2.8	3.9	2.5	3.0	黄銅Sn<sup>99</sup># (t=0.30)
7114-1300-08	AVS, CAV 0.2~0.3sq	2.2	3.1	2.1	2.9	黄銅Au<sup>99</sup># (t=0.30)
7114-1301-08	AVS, CAV 0.5~0.85sq	2.8	3.9	2.5	3.0	黄銅Au<sup>99</sup># (t=0.30)
7114-1302	0.15sq 初期	1.69	2.2	2.1	2.4	黄銅Sn<sup>99</sup># (t=0.30)

注記

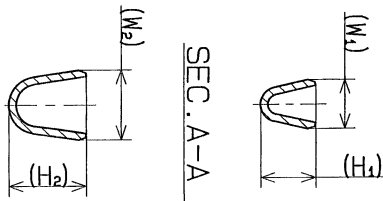
1) 換合相手品番 : 7116-1300 ETC.

2) 適用ハツタリ品番 : 7122-7960 ETC.

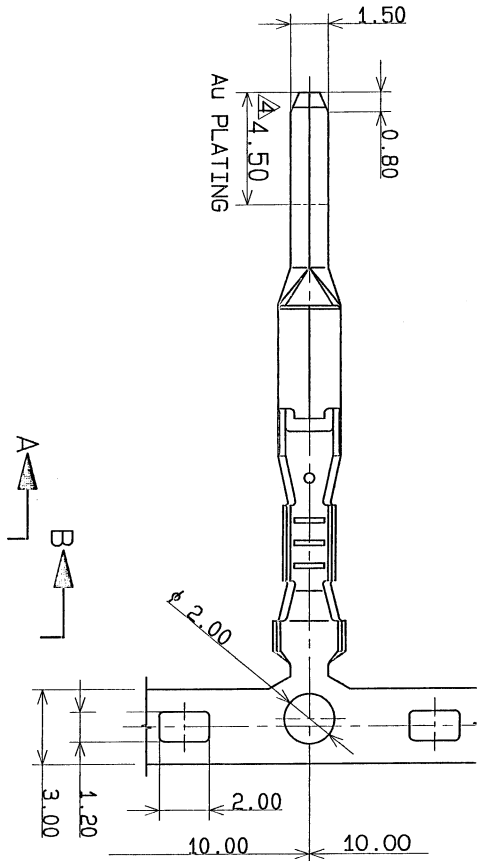
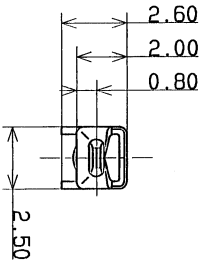
3) ( ) 内盛装材、エリハツタリ回線及び特別管理回線を  
使用する時に適用すること。

△ NOTES

- 1) MATING PART NO. : 7116-1300 ETC.
- 2) APPLICABLE HOUSING PART NO.: 7122-7960 ETC.
- 3) ( ) PART NO. TO BE USED AIR-BAG SYSTEM AND ADMINISTRATION SYSTEM.



SEC. B-B



△ 94.04.18	CORRECTED ERROR	C94-1566	H.F.									
△ 93.10.19	ADDED PART NO. ETC.	C93-P164	K.S.									
△ 89.07.12	CHANGED COMPOSITION	C89-7104	H.I.									
△ 89.05.17	CORRECTED ERROR	C89-6820	T.N.									
△ 88.12.08	ADDED PART NO., NOTE	BMC-1540	T.N.									
87.11.16	NEW	ZMC-0774	K.A.									
LET	DATE	REVISION RECORD	NO.	OFFICE								
				VENDOR								
GENERAL TOLERANCE				VENDOR NO.								
10MAX	50MAX	100MAX	250DVA	250DVA	ANGLE	ECCENT	DWG TYPE	DWG SOURCE	DWG DATE	UNIT	SOL	ANGLE
A	±0.15	±0.2	±0.3	±0.5	±0.75	±30'	R	NEW	87.11.16	mm	5/1	3
B	±0.2	±0.3	±0.55	±1.4	±1.4	±30'	APPROVED	CHECKED	CHECKED	DESIGN	DRAWN	
C	±0.3	±0.5	±0.8	±1.4	±2	±30'	K.ABE			K.ABE	SAMUKAWA	
SPECIFIED												
MASS												
9												
1												
2												
3												

MATL. SEE TABLE

TREAT. & FIN.

NAME C-TYPE TERMINAL (M)

PART NO. 7114-1300 ETC.

DWG NO. 7114-1300: R

YAZAKI CORPORATION

ISSUE MARK

# Mouser Electronics

Authorized Distributor

Click to View Pricing, Inventory, Delivery & Lifecycle Information:

[Yazaki:](#)

[71141300](#) [71141301](#) [7114130108](#)