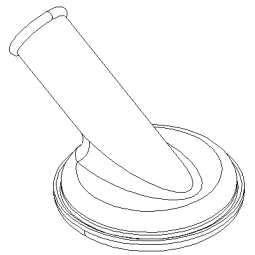
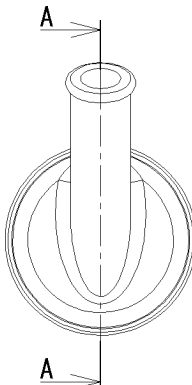
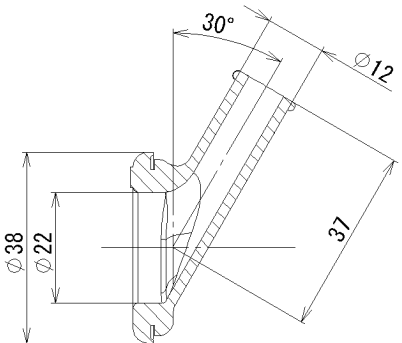
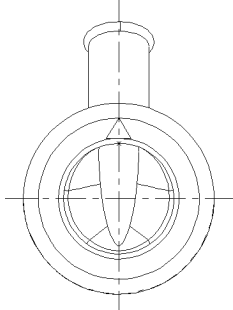


1

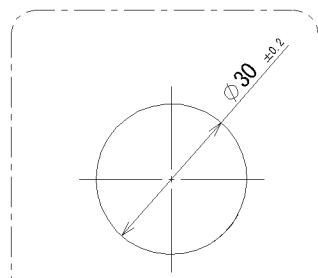
2

3

RUBBER PART GENERAL TOLERANCE			
PART DIM.	1	②	3
0 TO 3	±0.2	±0.3	±0.4
3 TO 6	±0.2	±0.4	±0.5
6 TO 10	±0.3	±0.5	±0.6
10 TO 18	±0.3	±0.6	±0.8
18 TO 30	±0.4	±0.8	±1.0
30 TO 50	±0.5	±1.0	±1.5
50 TO 80	±0.6	±1.2	±2.0
80 TO 120	±0.7	±1.4	±2.5
120 TO 180	±0.8	±1.6	±3.0
180 TO 250	±1.0	±2.0	±4.0
250 TO 315	±1.2	±2.5	±5.0
315 TO 400	±1.5	±3.0	±6.0
400 TO 500	±1.8	±3.5	±7.0
500 OVER	±0.4%	±0.8%	±1.5%



ISOMETRIC VIEW



MATING HOLE SHAPE
相手穴形状 (t=0.4~1.0)

SECT AA

注記

- 1. 基本肉厚 : t = 1.5 mm
- 2. 適用パネル : φ30、t = 0.4 ~ 1.0

NOTES

- 1. GENERAL THICKNESS : t = 1.5
- 2. APPLICABLE PANEL : φ30, t = 0.4 ~ 1.0

ISSUE MARK

LET		05.01.28	NEW	C05-2009	N.H	CUSTOMER		CUSTOMER PART NO.		CUSTOMER DWG NO.		MATL. SPEC.	EPDM (BLACK)	TREAT. & FIN.	
DATE		REVISION RECORD	NO.	CHKD	OFFICE	VENDER		TRIAL PART NO.		NAME		GROMMET			
GENERAL TOLERANCE		VENDER NO.		DWG TYPE		DWG SOURCE		DWG DATE		UNIT	SCL	ANGLE		PART NO.	
A	±0.15	±0.2	±0.3	±0.5	±0.75	±30'	0.1	R	NEW	05.01.28	mm	1:1	3	CH. CODE	7035-2766-30
B	±0.2	±0.3	±0.55	±0.95	±1.4	±30'	0.1	APPROVED	CHECKED	CHECKED	DESIGN	DRAWN		DWG NO.	7035-2766-30:R
C	±0.3	±0.5	±0.8	±1.4	±2	±30'	0.15	K. OZAKI		T. KATSUMATA		T. SHIMADA		N. HANADUMI	
SPECIFIED		SEE RUBBER PART GENERAL TOLERANCE		MASS		8 g		04.12.20		05.01.28		YAZAKI CORPORATION			

1

2

3

Mouser Electronics

Authorized Distributor

Click to View Pricing, Inventory, Delivery & Lifecycle Information:

[Yazaki:](#)

[7035276630](#)