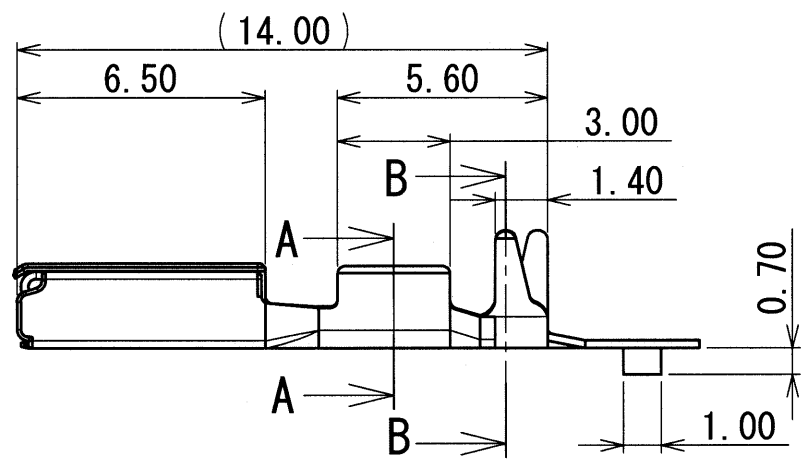
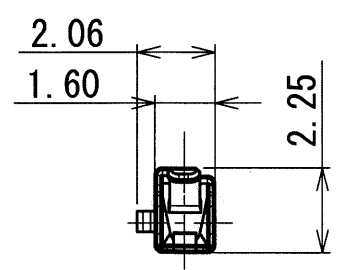
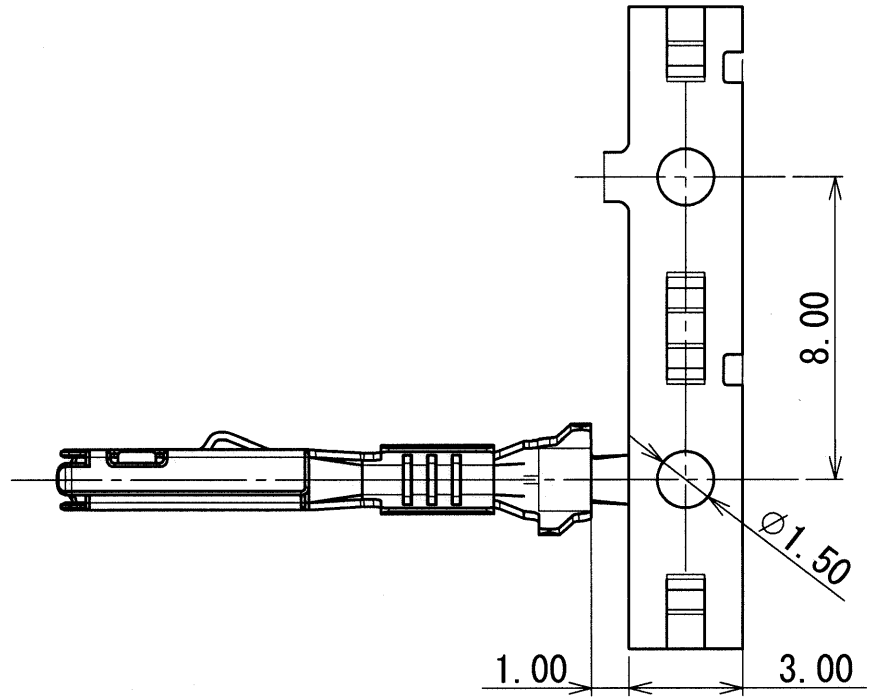
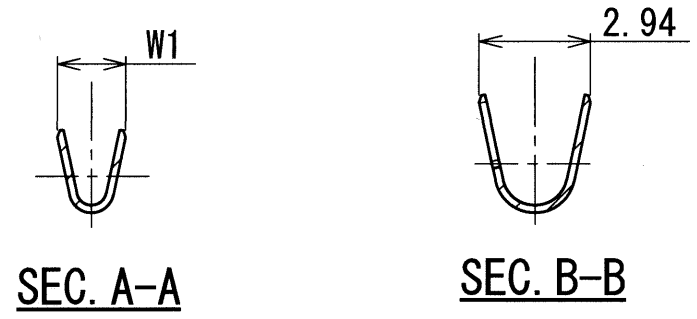
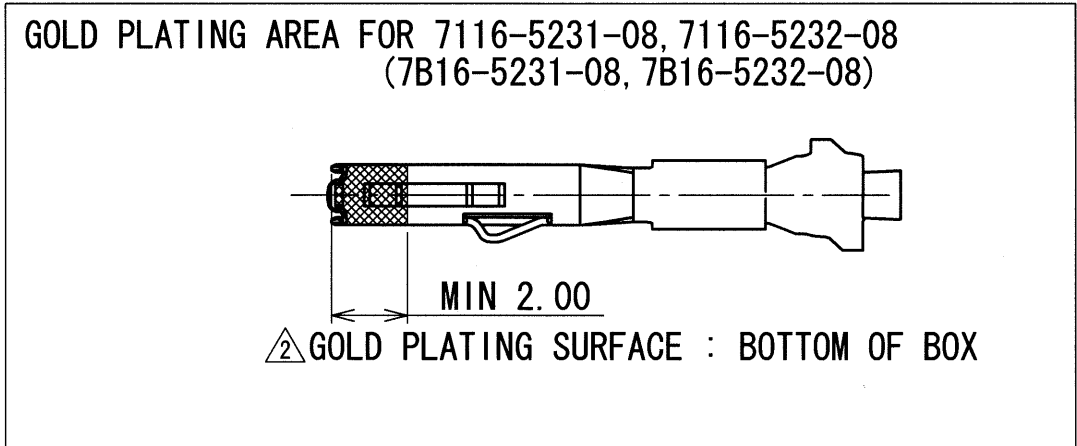
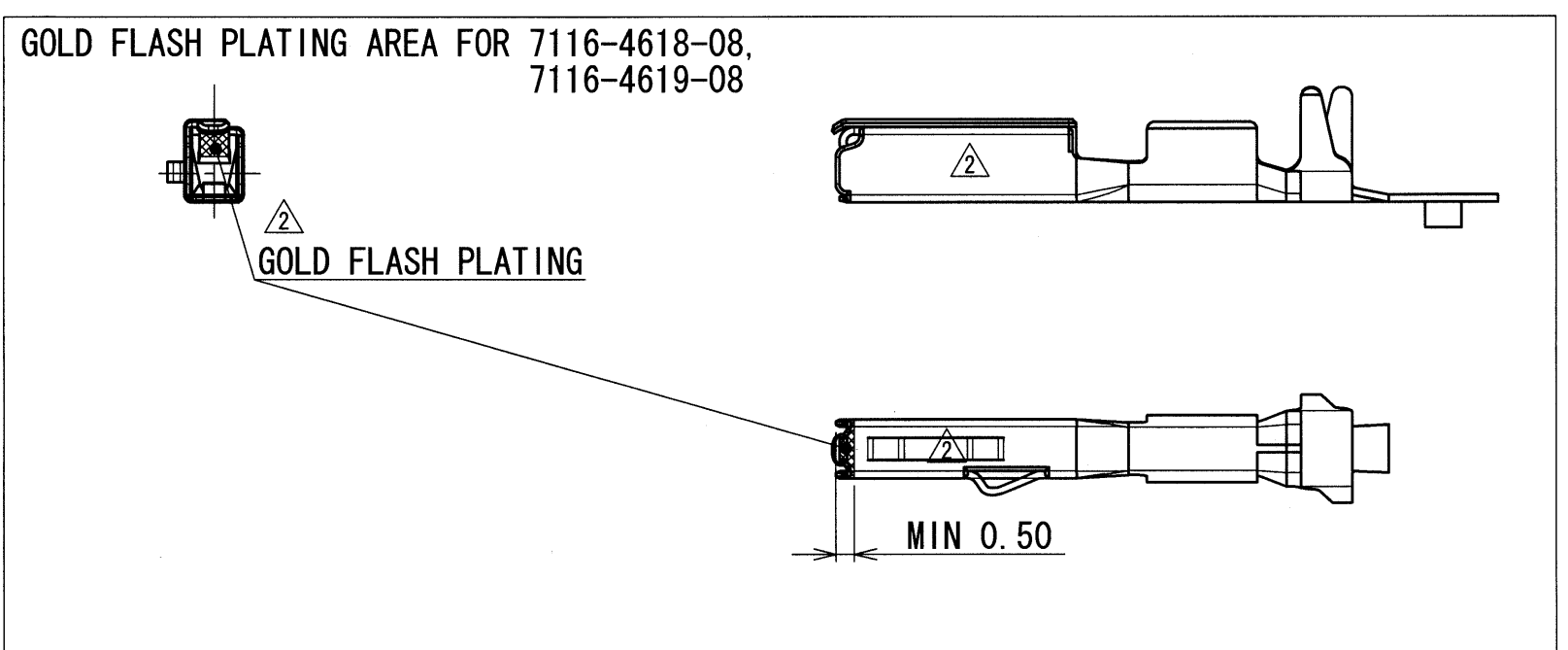


PART NO. AND CH. CODE	W1	TREAT. & FIN.	APPLICABLE WIRE SIZE
7116-4618-02	1.82	TIN PLATING	AWG 22~20 CABLE DIAMETER 1.20~1.90 $\triangle$
7116-4619-02	1.96	TIN PLATING	AWG 18 CABLE DIAMETER 1.50~1.90 $\triangle$
$\triangle$ 7116-4618-08	1.82	GOLD PLATING	AWG 22~20 CABLE DIAMETER 1.20~1.90
$\triangle$ 7116-4619-08	1.96	GOLD PLATING	AWG 18 CABLE DIAMETER 1.50~1.90
$\triangle$ 7116-5231-08 (7B16-5231-08)	1.82	GOLD PLATING	AWG 22~20 CABLE DIAMETER 1.20~1.90
$\triangle$ 7116-5232-08 (7B16-5232-08)	1.96	GOLD PLATING	AWG 18 CABLE DIAMETER 1.50~1.90



$\triangle$  注記  
 1. 嵌合端子品番 TIN: 7114-4618-02 ETC.  
 GOLD: -  
 2. ( )内品番は、エアバッグ (A/B) 回路及び特別回路に使用時に適用する。

$\triangle$  NOTES  
 1. MALE COUNTERPART NO. TIN: 7114-4618-02 ETC.  
 GOLD: -  
 2. ( ) PART NO IS USED FOR PARTS ASSOCIATED WITH A/B CIRCUITS OR OTHER SPECIFIED CIRCUITS.



LET	DATE	REVISION RECORD	NO.	CHKD
$\triangle$	07/09/11	CHANGED NOTES, ETC.	C07-Z899	T. Y
$\triangle$	06/11/23	ADDED PART NO., ETC.	C06-ZC98	T. Y
	03/10/15	NEW	C03-X622	Y. I

GENERAL TOLERANCE						
	10MAX	50MAX	100MAX	250MAX	2500VR	ANGLE
A	$\pm 0.15$	$\pm 0.2$	$\pm 0.3$	$\pm 0.5$	$\pm 0.75$	$\pm 30'$
B	$\pm 0.2$	$\pm 0.3$	$\pm 0.55$	$\pm 0.95$	$\pm 1.4$	$\pm 30'$
C	$\pm 0.3$	$\pm 0.5$	$\pm 0.8$	$\pm 1.4$	$\pm 2$	$\pm 30'$
SPECIFIED						MASS

CUSTOMER		MATERIAL SPEC.		TREAT. & FIN.	
CUSTOMER PART NO.		COPPER ALLOY (t=0.20)		$\triangle$ SEE TABLE	
OFFICE		NAME			
VENDOR		KAIZEN 0.64 TERMINAL FEMALE			
VENDOR NO.		PART NO.		7116-4618-02 ETC.	
DWG TYPE		CH. CODE		7116-4618-02:R	
DWG SOURCE		DWG NO.		SET DWG NO.	
NEW		7116-4618-02:R			
DWG DATE		DESIGN		DRAWN	
03/10/15		Y. ITO		A. PANGANIBAN	
UNIT		SCL		ANGLE	
mm		5:1		3	
APPROVED		CHECKED		CHECKED	
F. ITO (豊)		鈴木 (俊)		山本 浩	
07.09.12		07.09.12		07.09.11	
03/09/11		07/09/11			
YAZAKI CORPORATION					

# Mouser Electronics

Authorized Distributor

Click to View Pricing, Inventory, Delivery & Lifecycle Information:

[Yazaki:](#)

[7116461808](#) [7116461902](#) [7116523108](#) [7116461908](#)