

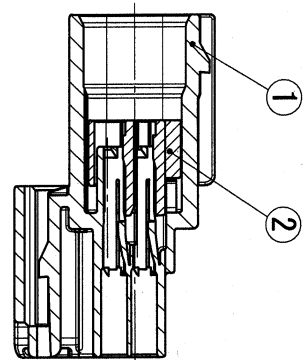
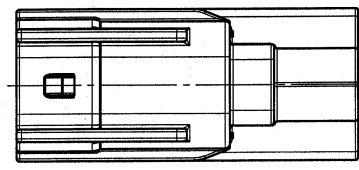
GENERAL TOLERANCE										
10 MAX	50 MAX	100 MAX	250 MAX	250 OVR	R5 MAX	R10 MAX	R20 MAX	R20 OVR	ANGLE	ECCENT
A	±0.15	±0.2	±0.3	±0.5	±0.75	±0.2	±0.3	±2.5	±3°	0.1
B	±0.2	±0.3	±0.55	±0.95	±1.4	±0.2	±0.5	±2.5	±3°	0.1
⊕	±0.3	±0.5	±0.8	±1.4	±2	±0.2	±0.5	±2.5	±3°	0.15

TABLE 1

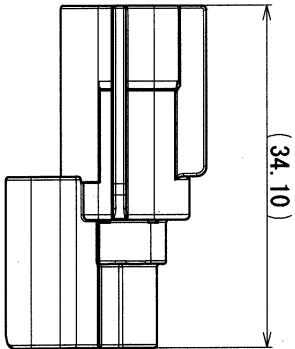
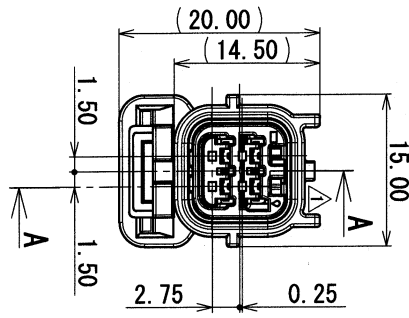
SUB ASSEMBLY PART NO. AND CH. CODE	NO.	PART NO. AND CH. CODE	MATERIAL	COLOR	QTY.
△ 7282-2763-30 ETC.	①	△ SEE TABLE 2	PBT	△ SEE TABLE 2	1
	②	7158-6621	PBT-6	NATURAL	1

TABLE 2

SUB ASSEMBLY PART NO. AND CH. CODE	PART NO. AND CH. CODE	COLOR
△ 7282-2763	7182-2763	NATURAL
△ 7282-2763-30, [A]	7182-2763-30	BLACK
△ 7282-2763-60	7182-2763-60	GREEN



SEC. A-A



- 注記
- △ 1. 嵌合相手品番 : 7283-2763-30 ETC.
 - 2. 適用端子品番 : 7114-4415-02 ETC.
 - 3. 適用1.4検品番 : 7158-3165-90 ETC.
 - 4. 適用防水検品番 : 7158-3169-40

NOTES

- △ 1. MATING PART NO. : 7283-2763-30 ETC.
- 2. APPLICABLE TERMINAL NO. : 7114-4415-02 ETC.
- 3. APPLICABLE SEAL RUBBER NO. : 7158-3165-90 ETC.
- 4. APPLICABLE UNUSED CAVITY PLUG NO. : 7158-3169-40

△ 05/02/28	ADDED PART NO. ETC.	C05-Z389	K N	CUSTOMER					
△ 04/10/15	CHANGED FORM & CH. CODE, [A]	C04-ZC33	K N	CUSTOMER PART NO.					
04/04/20	NEW	C04-P575	K N	OFFICE					
LET	REVISION RECORD	NO.	CHKD	VENDOR					
GENERAL TOLERANCE									
A	±0.15	±0.2	±0.3	±0.5	±0.75	±30'	O. 1	ECCENT	
B	±0.2	±0.3	±0.55	±0.95	±1.4	±30'	O. 1	ECCENT	
⊕	±0.3	±0.5	±0.8	±1.4	±2	±30'	O. 15	ECCENT	
SPECIFIED						MASS	g		
10MAX				50MAX	100MAX	250MAX	250OVR	ANGLE	ECCENT
DMG TYPE				DMG SOURCE	DMG DATE	UNIT	SCL	ANGLE	
APPROVED				CHECKED	CHECKED	DESIGN	DRAWN		
VENDOR NO.				DMG TYPE	DMG SOURCE	DMG DATE	UNIT	SCL	ANGLE
TRIAL PART NO.				DMG TYPE	DMG SOURCE	DMG DATE	UNIT	SCL	ANGLE
MATERIAL SPEC.				SEE TABLE 1	TREAT. & FIN.				
NAME				HS 025 4P SEALED CONNECTOR					
SUB ASSEMBLY MALE									
PART NO. AND CH. CODE				△ 7282-2763-30 ETC.					
DMG NO.				7282-2763-30:R					
YAZAKI CORPORATION									

1

2

3

A

B

A

B

Mouser Electronics

Authorized Distributor

Click to View Pricing, Inventory, Delivery & Lifecycle Information:

[Yazaki:](#)

[72822763](#) [7282276330](#)