



USB Type-C Analog Audio Switch with Protection Function

Features

- ◆ Power Management
 - Primary Power Supply VBAT, 2.5 V to 5.5 V
 - Second Power Supply VBUS, 4.0 V to 20 V
- ◆ USB High Speed(480Mbps) Switch:
 - -3dB Bandwidth: 800MHz
 - 3Ω R_{ON} Typical
- ◆ Audio Switch
 - Negative Rail Capability: -3V to +3V
 - THD+N = -107 dB; 1 V_{RMS}, f = 20Hz~20 kHz ,32Ω Load;
 - 0.8Ω R_{ON} Typical
- ◆ High Voltage Protection
 - 20V DC Protection on CC Port and SBU port
 - 20V DC Protection on DP/R and DN/L Port
- ◆ Over Voltage Protection
 - 5.8V (Typ) on CC Port
 - 4.5V (Typ) on SBU Port
 - 4.5V (Typ) on DP/R and DN/L Port
- ◆ OMTP and CTIA Pinout Support
- ◆ Support Audio Sense Path
- ◆ Support Dead Battery
- ◆ Support Audio Channel Slow Turn On
- ◆ Support MIC Switch Auto-off Function
- ◆ 25-Bump WLCSP Package (2.0mm x 2.0mm)

Applications

- Smart Phone
- MP3 Player
- Tablet PC
- Media Player

Order Information

Part Number	Package	Packing Method
HL5276	WLCSP-25	Tape and Reel

For other options, contact a Halo Micro sales representative.



Typical Application Diagram

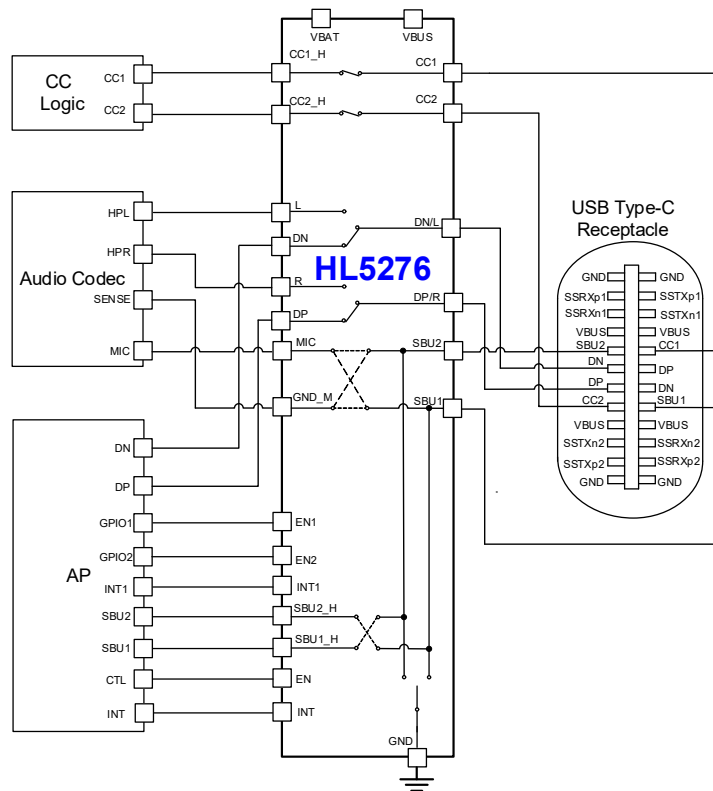


Figure 1 HL5276 Typical Application Diagram



Description

HL5276 is a high performance USB Type-C port multimedia switch which supports analog audio headsets. HL5276 allows the sharing of a common USB Type-C port to pass USB2.0 signal, analog audio, sideband use wires and analog microphone signal.

HL5276 also supports high voltage on CC port, SBU port and USB port on USB Type-C receptacle side. In addition, HL5276 supports USB Type-C dead battery application and dual power supply with VBAT rail and VBUS rail.

HL5276 is available in a 25-pin WLCSP package.



Important Notice

Halo Microelectronics reserves the right to modify, improve and terminate its products, service, documentation, etc. without advance notice. Customers are encouraged to contact HALO Microelectronics sales representative get the latest product information.

Without proper legal authorization, Halo products shall not be used for medical or military applications. Halo Microelectronics does not assume any liability of personal or property damages of any kind due to such applications.

All text, images, trademarks of this document, and any intellectual property contained in the product and in this document belong to Halo Microelectronics Co. Ltd. No part of this document may be used, copied, modified, distributed or published without legal authorization from Halo Microelectronics.

Mouser Electronics

Authorized Distributor

Click to View Pricing, Inventory, Delivery & Lifecycle Information:

[Halo Microelectronics:](#)

[HL5276](#)