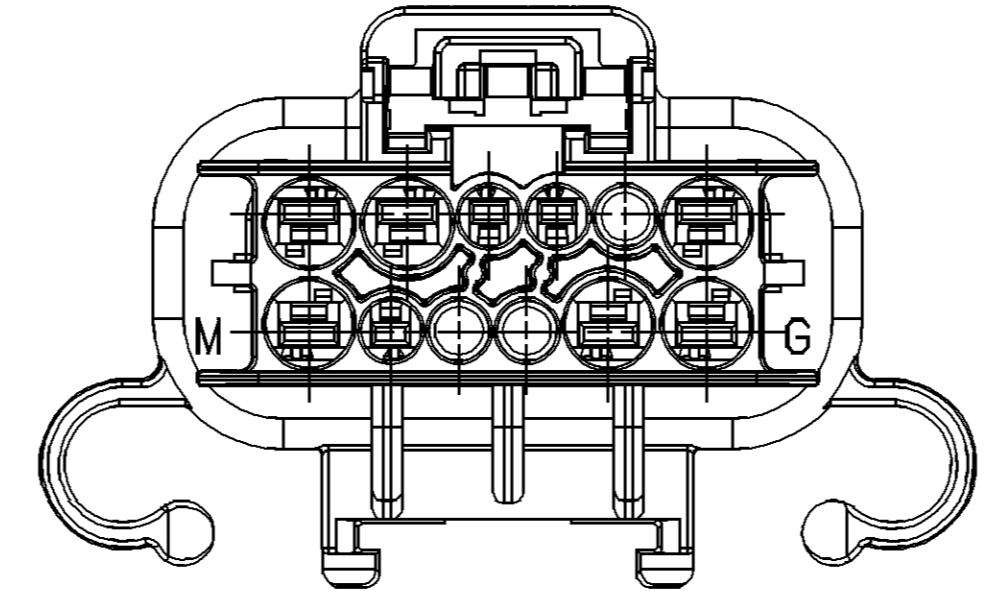
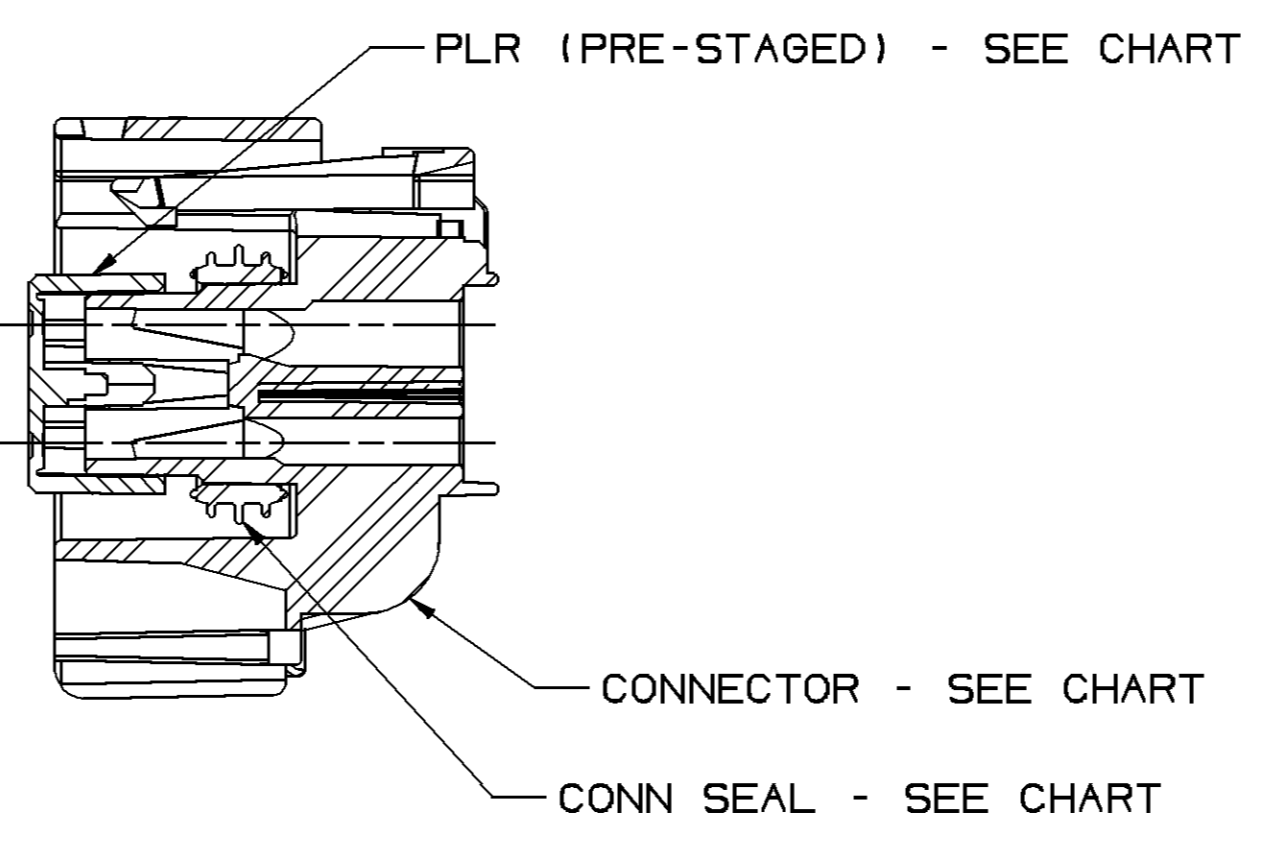
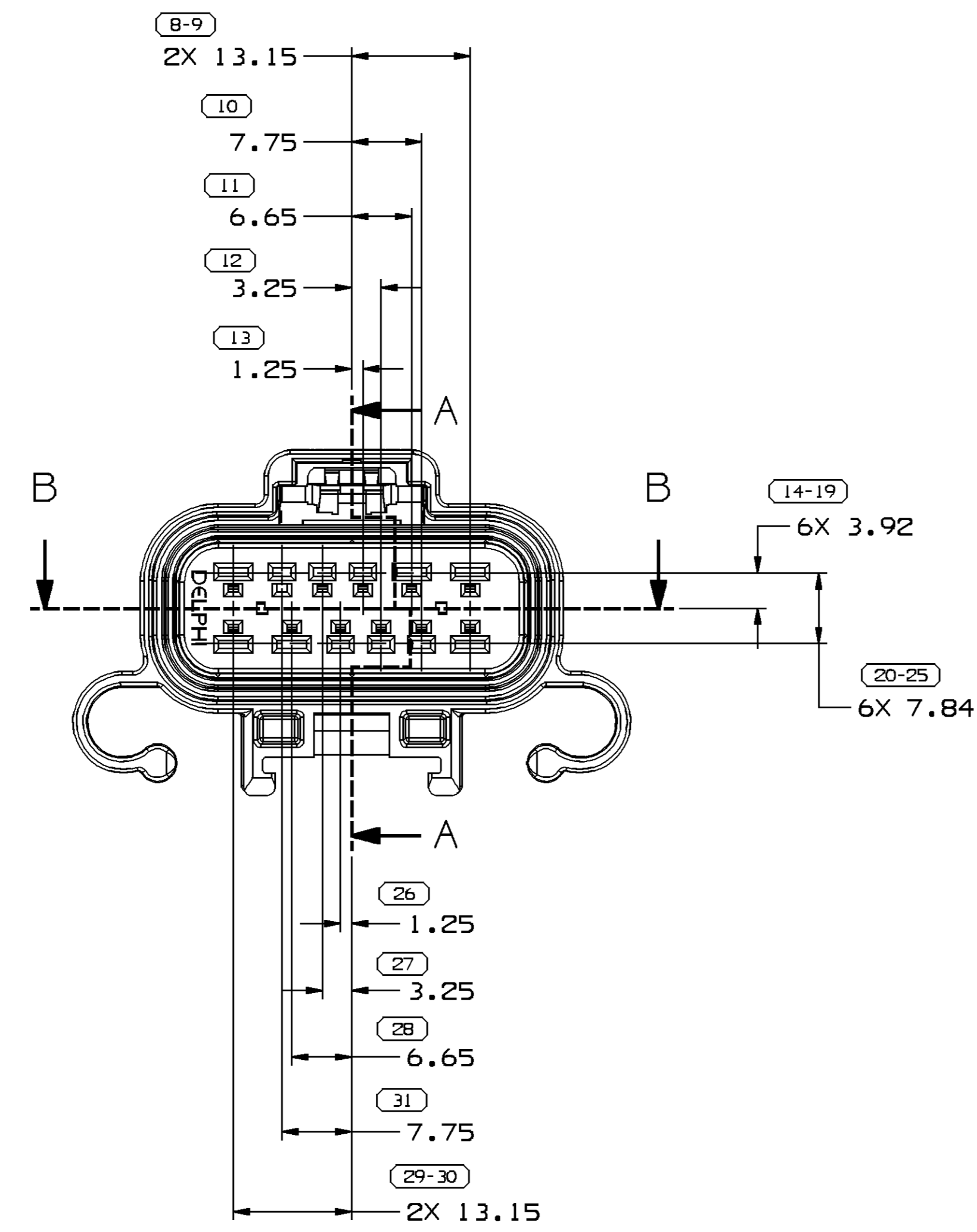
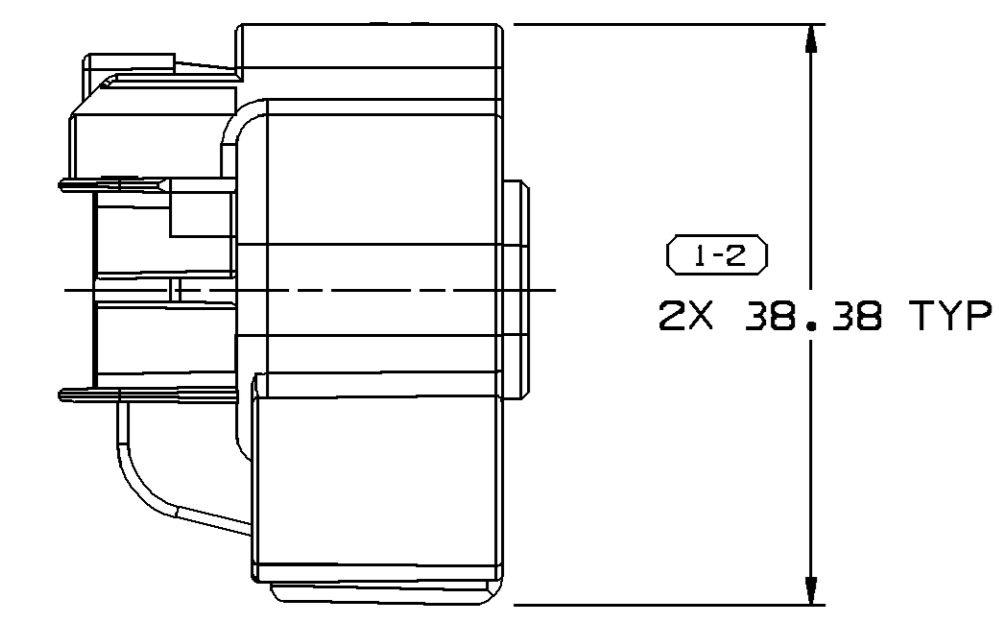


SECTION B-B

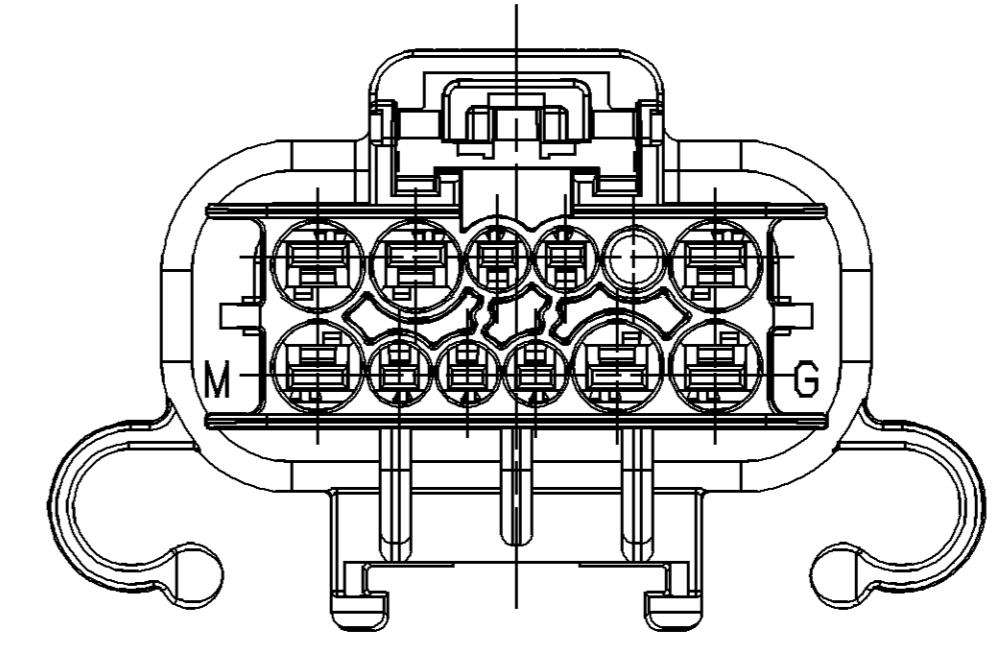


TYPE 102
SAME AS TYPE 101
EXCEPT AS SHOWN

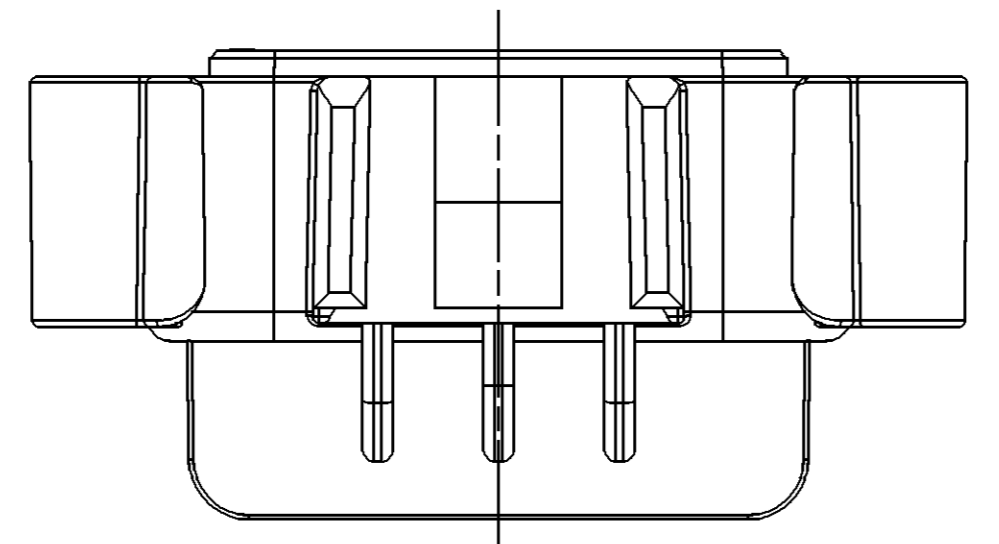
SYMBOL DEFINITION		MISSING NUMBERS		DWG STATUS		ZONE		REVISION HISTORY		AUTH	DR	AP/VD	AP/VD
THE NUMBER INSIDE THE SYMBOL	TOTAL NO. OF SYMBOLS ON DRAWING			DATE	STG	REV	N/P	CHG					
16	16			07DE99	R	01	-	-	15373479	-	RELEASED	990005	KBD TLP E.J.H
				07DE99	R	02	-	-	15354897	-	WAS SEPARATE DRAWING	197448	KBD TLP E.J.H
				08SE00	R	03	-	-	15373479	-	REVISED BLOCKED CAV FOR CONN	203218	TLP TLP E.J.H
				12JL01	R	04	-	-			ALL PARTS - UPDATED PDM ATTRIBUTES	211924	TSH TSH E.J.H
				28MR07	R	05	-	-			ALL PARTS - UPDATED PDM ATTRIBUTES	400953	RTV JAA JGS



SECTION A-A



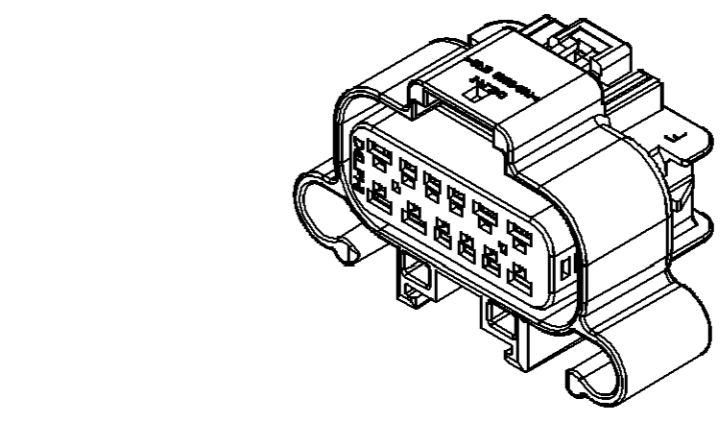
TYPE 101



NOTES

- UNLESS OTHERWISE SPECIFIED AND/OR INDICATED:
DIMENSIONS ARE TO FACE OF VIEW SHOWN AND AUTOMATICALLY ROUNDED BY COMPUTER FOR INSPECTION. (SEE MATH MODEL FOR PRECISE DIMENSIONS.) FOR ALL OTHER DIMENSIONS NOT SHOWN BUT REQUIRED FOR TOOL BUILD, SEE MATH MODEL FOR PRECISE TOOL PATH DATA.
- SEALING CODE 3 - DESIGN WILL PASS SALT FOG AND IMMERSION TEST AFTER CONDITIONING AS SPECIFIED IN ESA-644 (WEATHER-PACK), ESA-710 (METRI-PACK), ESA-650 (UNDERHOOD MICRO-PACK), C-4006 (WORLD CONNECTOR), ETC. - WHEN MATED TO MATING PART OR EQUIVALENT
- REFERENCE MATING COMPONENTS OR EQUIVALENT:
TERMINALS
CAVITIES A, E-H, M USE 15304718
CAVITIES B-D, J-L USE 12191818
CABLE SEALS
CAVITIES A, E-H, M USE 12191232
CAVITIES B-D, J-L USE 12191226

PART NO	REV	N/P	STATUS	TYPE	CODE	CONNECTOR	CONN SEAL	PLR	FLASHED CAVITIES	MATING CONNECTOR
15373479	01	AC		102	6900	15355559	15326659	15366605	B, J, K	15373478
15354897	02	AB		101	6901	15354895	15326659	15366605	B	15354898



UNLESS OTHERWISE SPECIFIED
THIS DOCUMENT IS IN ACCORDANCE WITH ASME Y14.5M-1994
AS MODIFIED BY THE IN CHARGE, DIMENSIONING AND
TOLERANCING MANUAL (1997). ALL DIMENSIONS UNLESS OTHERWISE
AND RELATED DATUM APPLY REF. FILE # UNLESS NOTED FROM AT
MFG DOES NOT IMPLY A RELATIONSHIP BETWEEN FEATURES
IS ESTABLISHED BY ORIENTATION OR LOCATION TOLERANCES.
SEPARATE PART OR CALLOUTS MAY BE SHOWN SEPARATELY,
REGARDLESS OF DATUM REFERENCE.
ALL DIMENSIONS ARE IN MILLIMETERS.

(3) PROCESS SENSITIVE DIMENSION
DIMENSIONS ENCLOSED IN () INDICATE
REFERENCE DIMENSIONS AND NO TOLERANCE
LIMITS ARE ESTABLISHED

THIRD ANGLE PROJECTION
DO NOT SCALE
USE MATH DATA

DATE: 03-28-97 Time: 16:50

DELPHI
DELPHI PACKARD ELECTRICAL/ELECTRONIC ARCHITECTURE
NAPER, OH

DR: K B DISKO
T L PACK
E J HAROLDSON

DATE: 07DE99
08DE99
09DE99

AP/VD: KBD TLP E.J.H
TLP TLP E.J.H
TSH TSH E.J.H
RTV JAA JGS

REVISION HISTORY

DRAWING NAME: TAXI ASM CONN F GT 150 280 SLD

DRAWING NUMBER: 15373477

SCALE: 2:1
FRAME NO: 1 OF 1
SHEET NO: 1 OF 1
REV: R 05

Mouser Electronics

Authorized Distributor

Click to View Pricing, Inventory, Delivery & Lifecycle Information:

[Aptiv:](#)

[15373479](#)