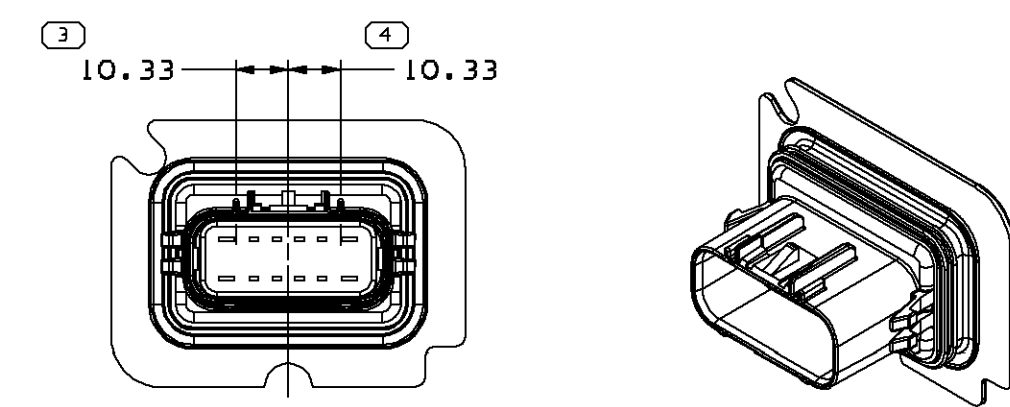
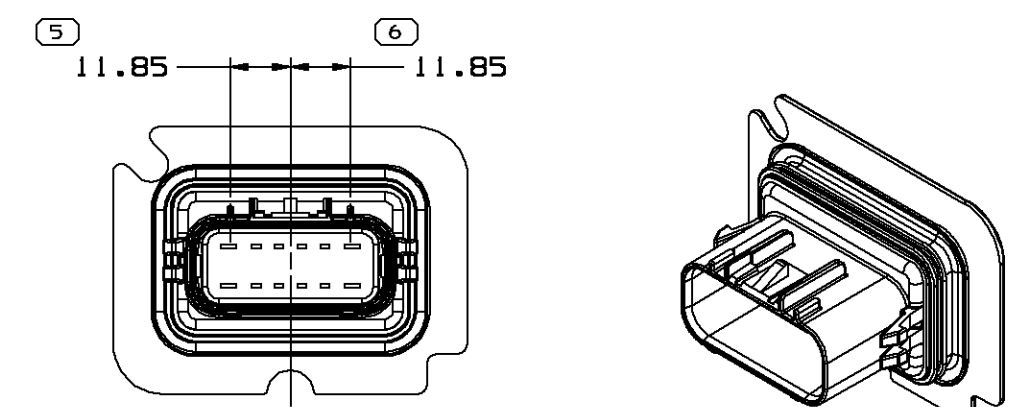


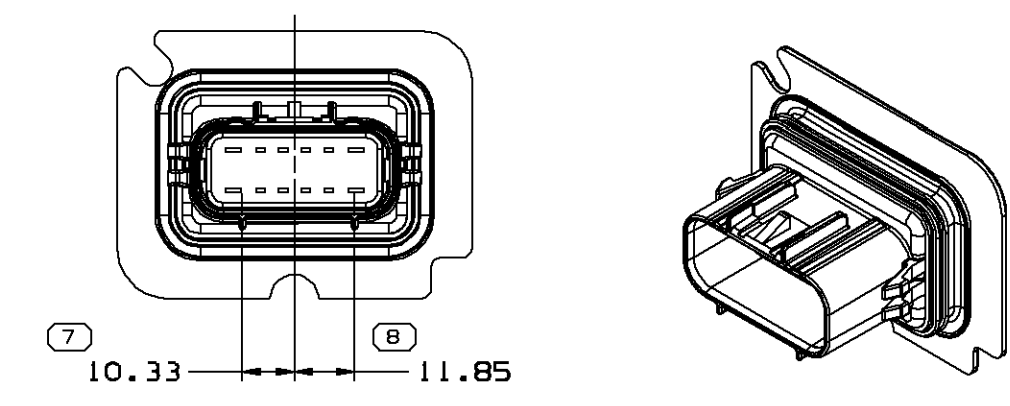
TYPE 102
SCALE 1:1
SAME AS TYPE 101
EXCEPT AS SHOWN



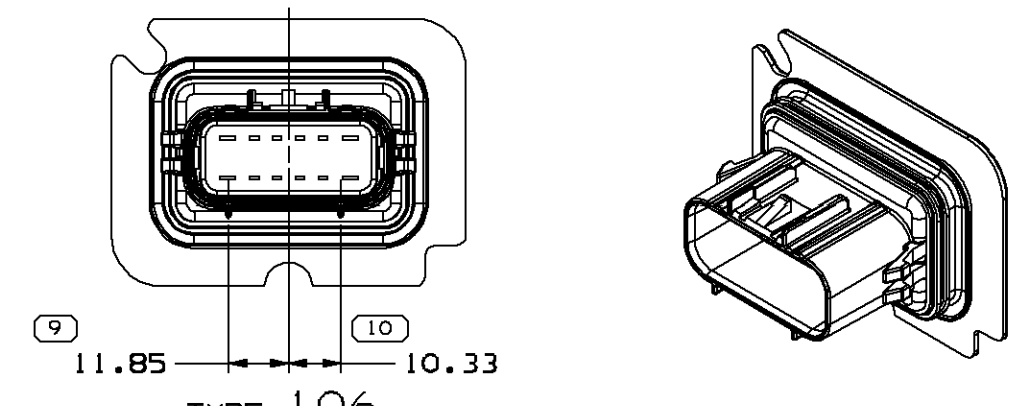
TYPE 103
SCALE 1:1
SAME AS TYPE 101
EXCEPT AS SHOWN



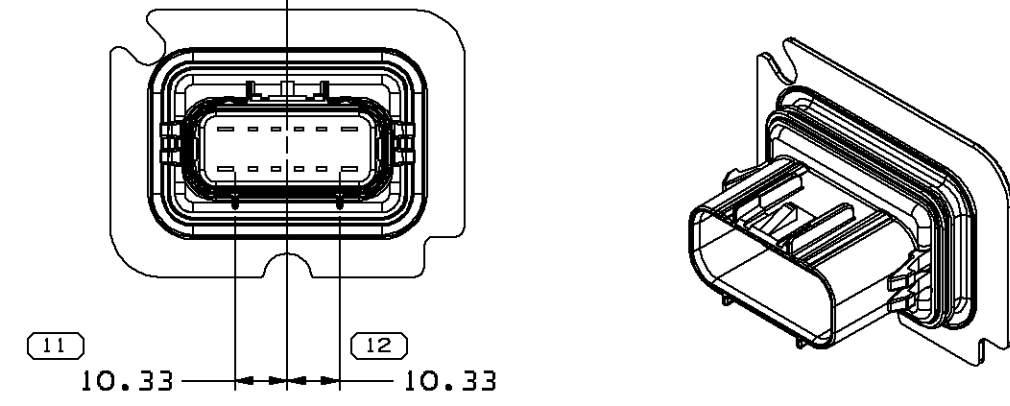
TYPE 104
SCALE 1:1
SAME AS TYPE 101
EXCEPT AS SHOWN



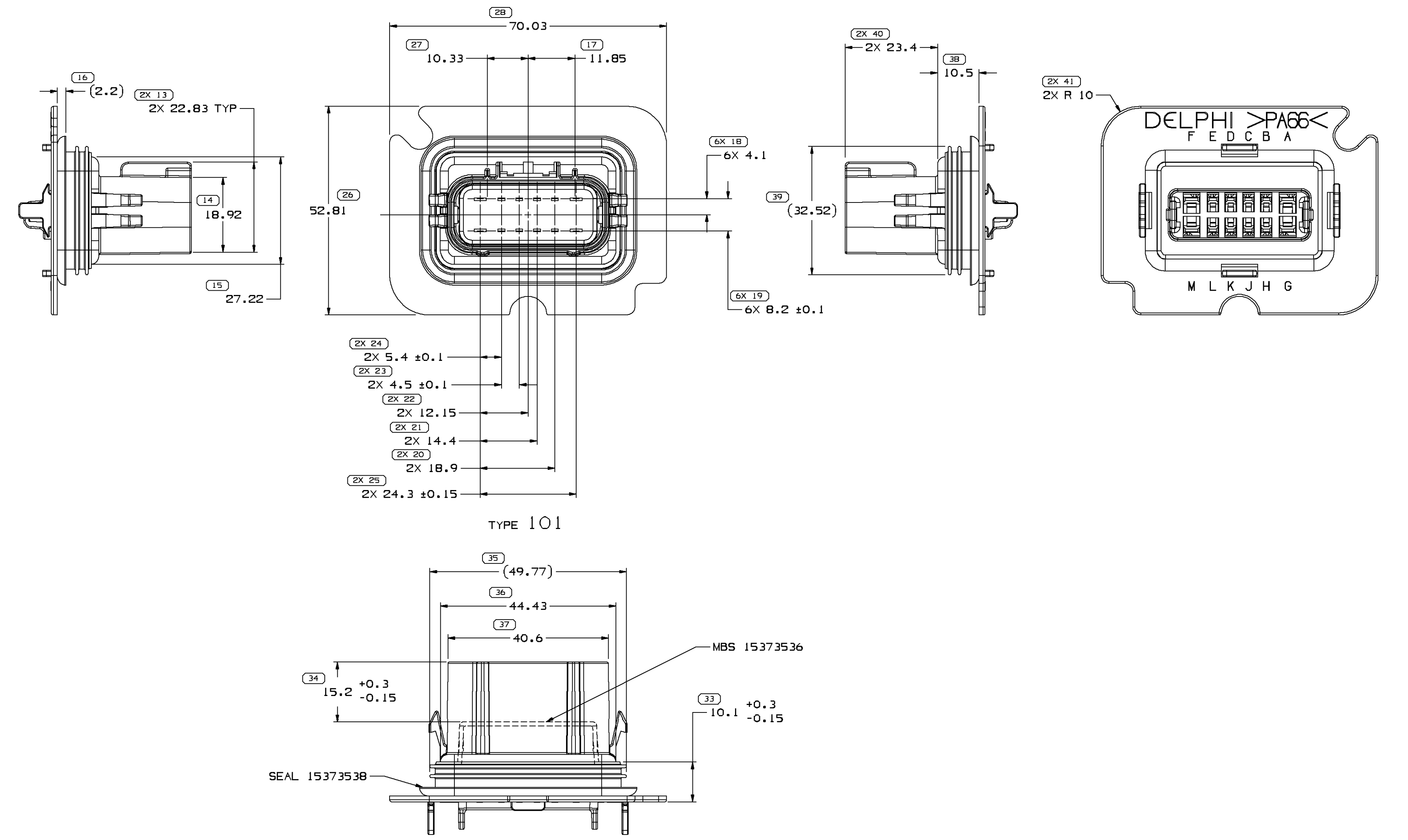
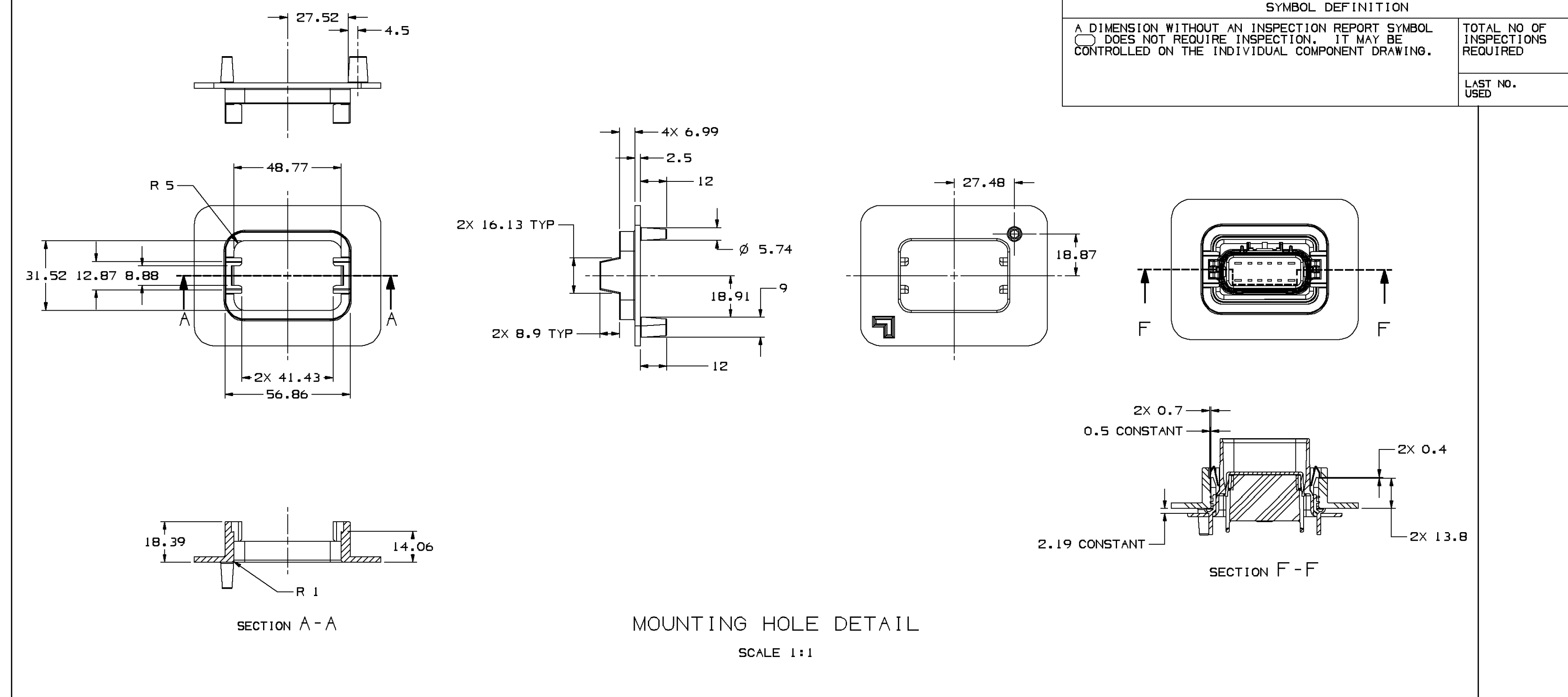
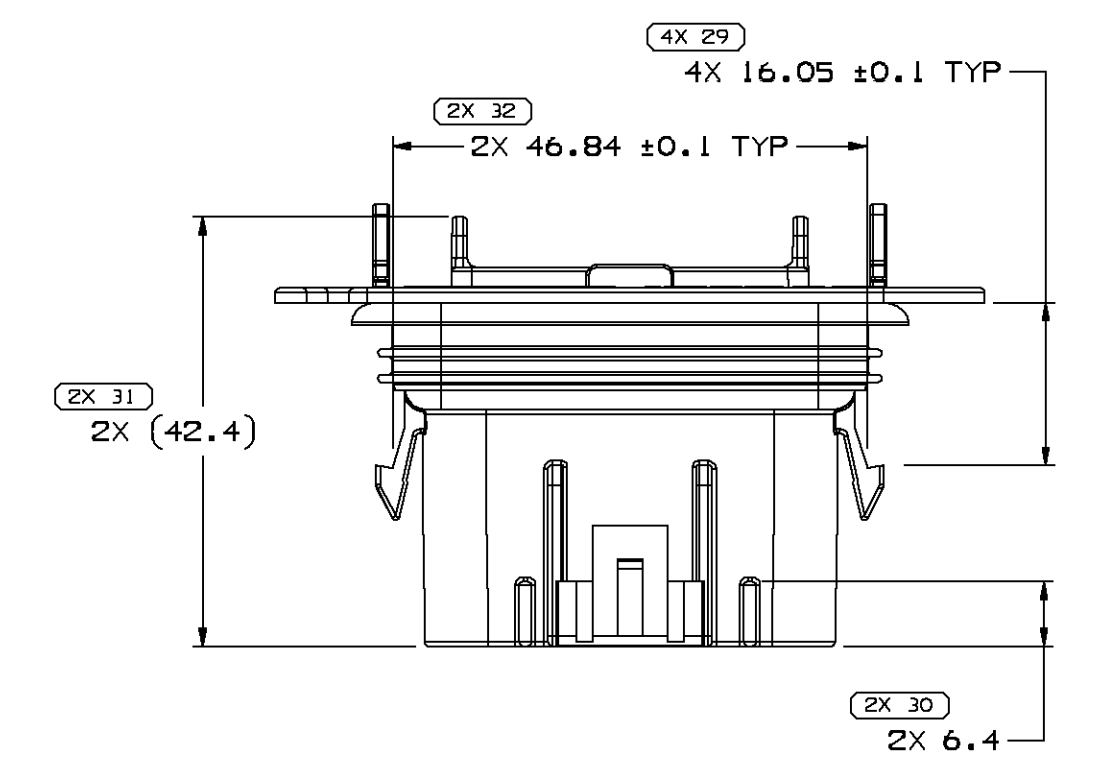
TYPE 105
SCALE 1:1
SAME AS TYPE 101
EXCEPT AS SHOWN



TYPE 106
SCALE 1:1
SAME AS TYPE 101
EXCEPT AS SHOWN



TYPE 107
SCALE 1:1
SAME AS TYPE 101
EXCEPT AS SHOWN



- NOTES
- UNLESS OTHERWISE SPECIFIED AND/OR INDICATED: DIMENSIONS ARE TO FACE OF VIEW SHOWN AND AUTOMATICALLY ROUNDED BY COMPUTER FOR INSPECTION (SEE MATH MODEL FOR PRECISE DIMENSIONS). FOR ALL OTHER DIMENSIONS NOT SHOWN BUT REQUIRED FOR TOOL BUILD, SEE MATH MODEL FOR PRECISE TOOL PATH DATA. LIKE CAVITIES ARE IDENTICAL. LOCKING FEATURES ARE IDENTICAL. LIKE SEALING RIBS ARE IDENTICAL.
 - MATING COMPONENTS OR EQUIVALENT: MBS 15373536
 - TERMINALS: 6T280 15304722 OR EQUIVALENT 6T150 15304701 OR EQUIVALENT
 - MATERIAL RECYCLING CODE >PA66< PER SAE J1344. (1)X(10,1) RAISED CHARACTERS AS SHOWN TO BE LOCATED ON ANY EXTERIOR SURFACE. OPTIONAL CONSTRUCTION TO BE NO MATERIAL RECYCLING CODE.
 - (1,5)X(10,1) RAISED DELPHI CORPORATE BRAND TO BE LOCATED ON ANY EXTERIOR SURFACE, PREFERABLY VISIBLE AT FINAL ASSEMBLY. OPTIONAL CONSTRUCTION TO BE "PED" OR NO LOGO.

CONN SEAL	MBS ASN	REV/N/P	STATUS	COLOR	MATING CONNECTOR	CONN	MBS	SEAL
15373553	04	AB	107	BRN	15373559	15373550	15373536	1537353B
15373552	04	AB	106	PPL	15373558	15373459	15373536	1537353B
15373551	04	AB	105	GRN DK	15373557	15373566	15373536	1537353B
15373529	04	AB	104	GRAY LT	15373535	15373524	15373536	1537353B
15373528	04	AB	103	GRAY MD	15373534	15373523	15373536	1537353B
15373527	04	AB	102	NAT	15373533	15373522	15373536	1537353B
15373526	04	AB	101	BLK	15326939	15373521	15373536	1537353B

DATE	REV	N/P	Q/S	ZONE	REVISION HISTORY	AUTH	DR	APPROV	2
14ND00	R	01	-	-	ALL PARTS - RELEASED	000005	LM	FRB	JS
26JND1	R	02	-	-	ALL PARTS - UPDATED CONN & SEAL	206161	LL	LLJ	JS
21JND1	R	03	-	-	ALL PARTS - UPDATED DRAWING	210837	CJC	CJC	JS
17SE01	R	04	-	-	ALL PARTS - UPDATED DRAWING	214665	CJC	CJC	JS
20JND3	R	05	-	-	ALL PARTS - ADDED COLOR COLUMN; REMOVED SECTION VIEWS A-A & D-D; REVISED METHOD OF DIMENSIONING	242470	AK	AK	JS
06MPO6	R	06	-	-	ALL PARTS - REVISED MATING HOLE DETAIL	277155	MM	MM	JS

PART DRAWING		DATE
DATE	REV	DATE
14ND00	R	14ND00
26JND1	R	15ND00
21JND1	R	22ND00

DELPHI		DATE
DELPHI PACKAGED ELECTRIC SYSTEMS		DATE
WARREN, MI		DATE
DRAWING NAME		DATE
TAXI CONN M 6T 150 280		DATE
DRAWING NUMBER		DATE
15373525		DATE
SCALE	FRAME NO	SHEET NO
2:1	1	2
1	1	1

12373252

Mouser Electronics

Authorized Distributor

Click to View Pricing, Inventory, Delivery & Lifecycle Information:

[Aptiv:](#)

[15373522](#)