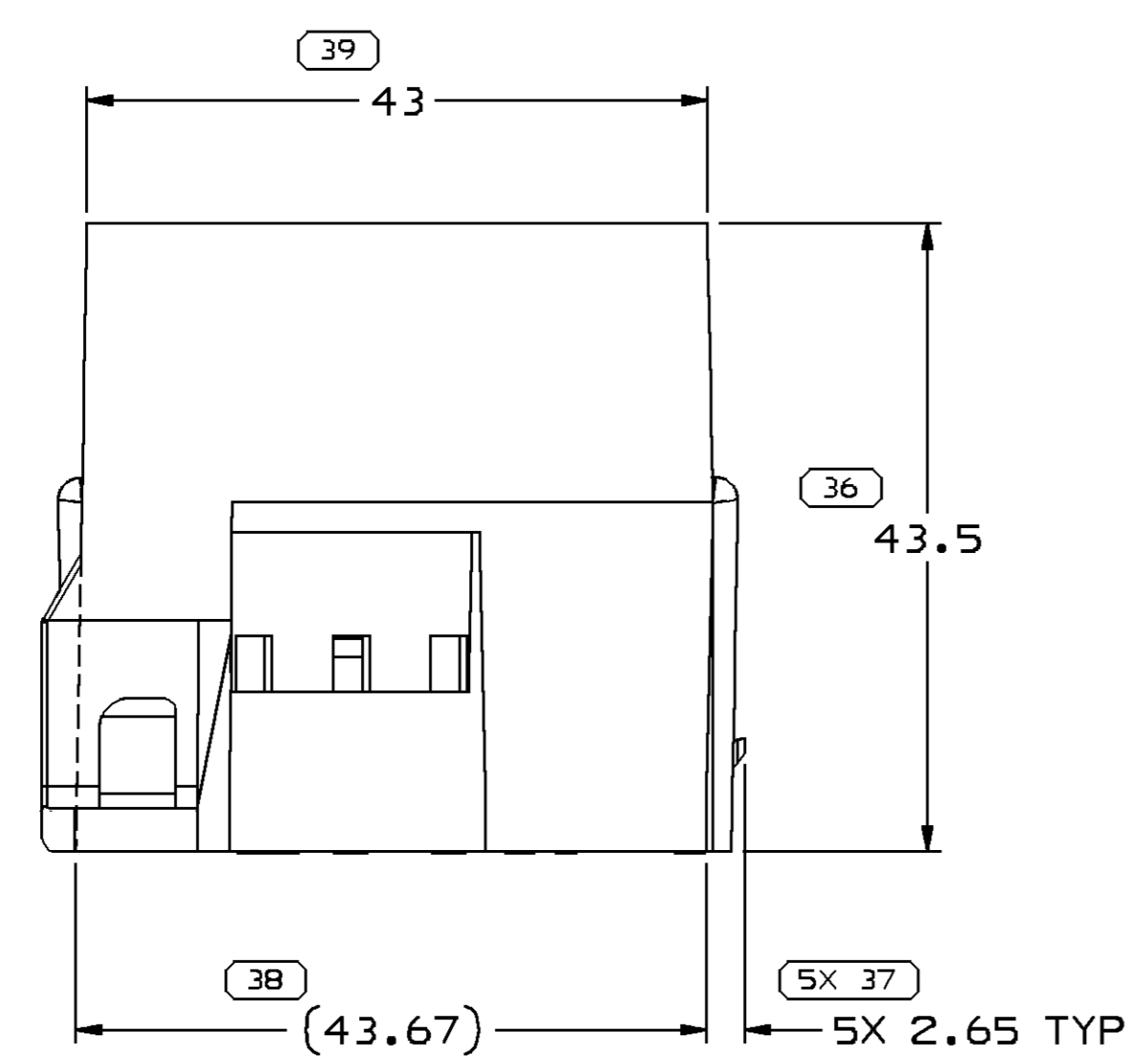
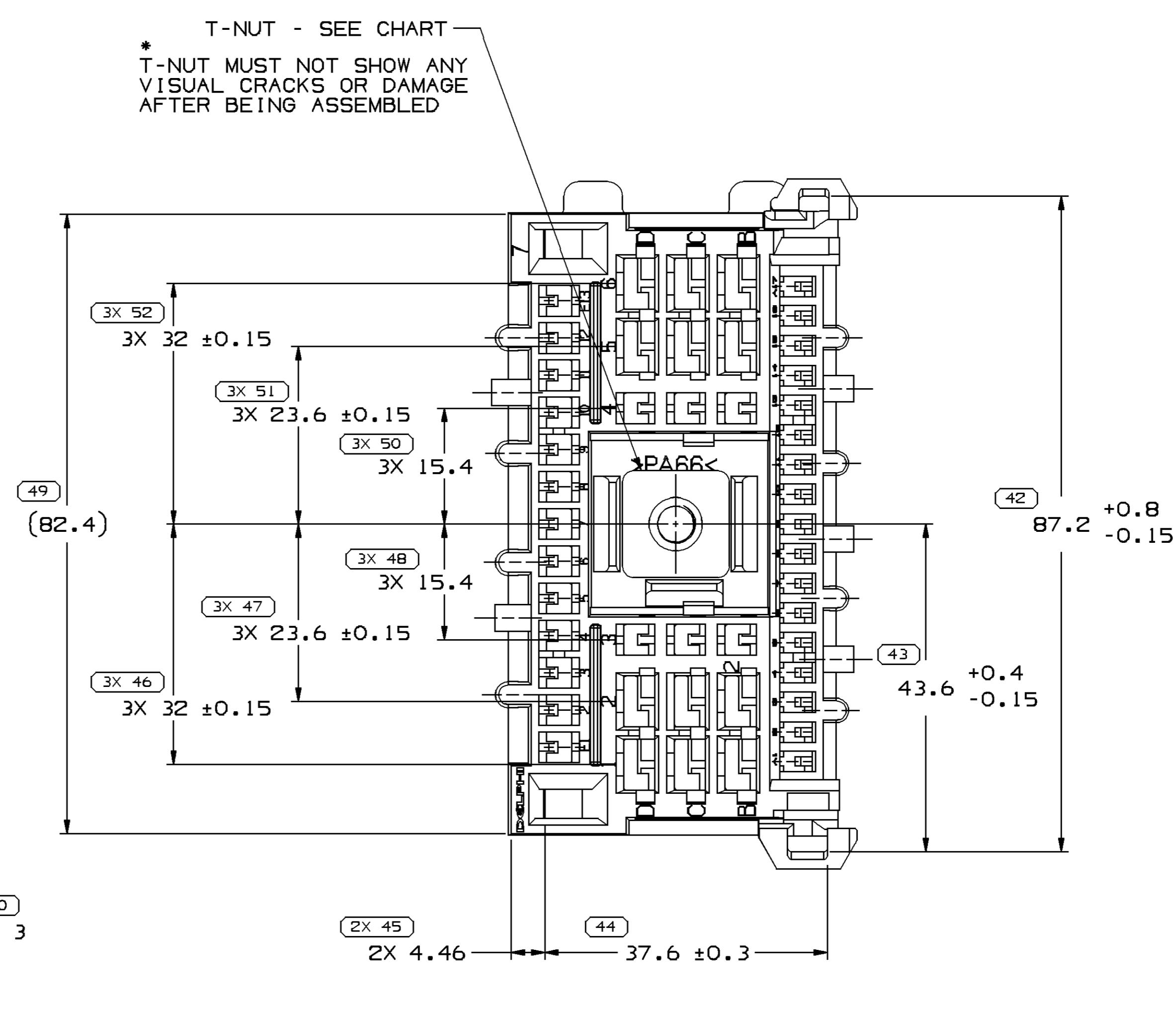
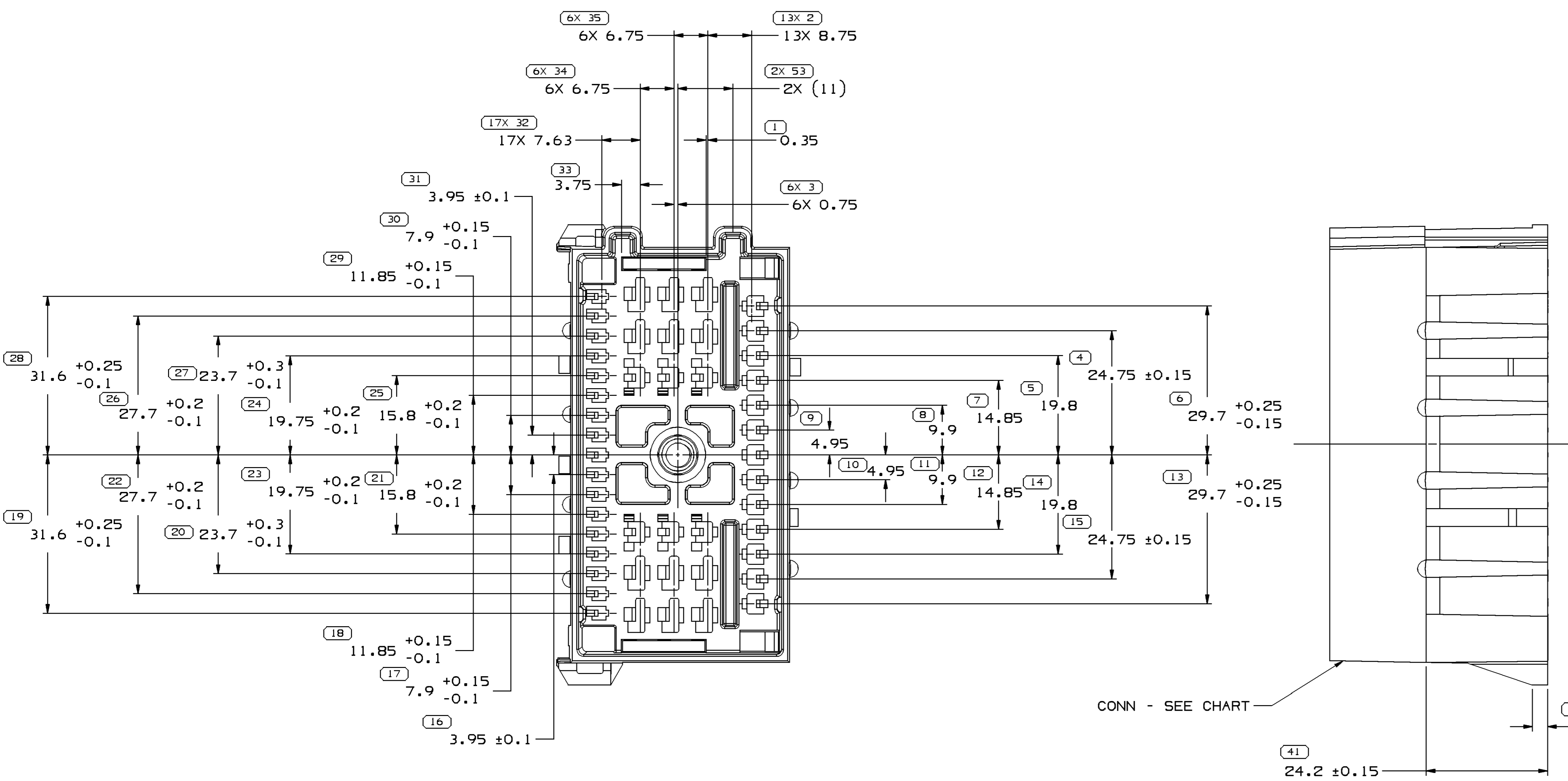
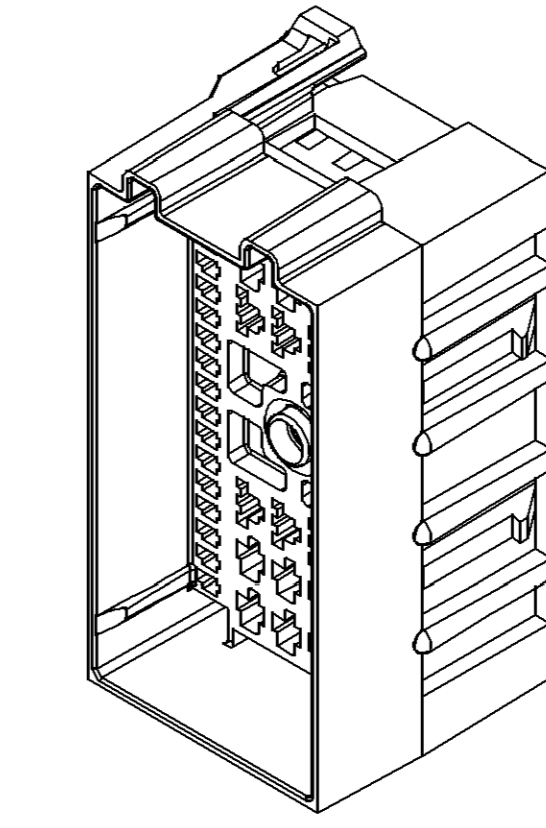


SYMBOL DEFINITION		TOTAL NO OF INSPECTIONS REQUIRED	115
A DIMENSION WITHOUT AN INSPECTION REPORT SYMBOL DOES NOT REQUIRE INSPECTION. IT MAY BE CONTROLLED ON THE INDIVIDUAL COMPONENT DRAWING.		LAST NO. USED	53

MISSING SYMBOLS				NO MISSING SYMBOL NUMBER	
DATE	STG	REV	N/P	CHG	ZONE
17JAO2	R	01	-	-	-
12084132 - COLOR WAS NATURAL: ADDED					
25M104	R	02	-	-	-
15492579 AND 15492580 - RELEASED; 12077822 AND 12084133 - RESTRICTED					
14M05	R	03	-	-	-
ALL PARTS - 37.6 ±0.3 WAS 37.8 ±0.15					
250C05	R	04	-	-	-
12084133 - OBSOLETE					
07N005	R	05	-	-	-
12077822 - OBSOLETE					
15JN06	R	06	-	-	-
15492580 - OBSOLETE; 15492579 - RESTRICTED					



- NOTES
- UNLESS OTHERWISE SPECIFIED AND/OR INDICATED:  
DIMENSIONS ARE TO FACE OF VIEW SHOWN AND AUTOMATICALLY ROUNDED BY COMPUTER FOR INSPECTION (SEE MATH MODEL FOR PRECISE DIMENSIONS). FOR ALL OTHER DIMENSIONS NOT SHOWN BUT REQUIRED FOR TOOL BUILD, SEE MATH MODEL FOR PRECISE TOOL PATH DATA.
  - NUT MUST NOT ROTATE IN CONNECTOR BODY WHEN ASSEMBLED WITH MATING CONNECTOR ASSEMBLY 12065805 USING A TORQUE OF 5.5 N-M (50 IN-LBS).
  - PUSH-OUT ON T-NUT TO BE MINIMUM OF 1335 N (300 LBS)
  - THIS PART ACCEPTS THE FOLLOWING COMPONENTS OR EQUIVALENT:  
CAVITIES E1 THRU E13, B3, C3, D3, B4, C4 & D4 TO ACCEPT 12020116 TERMINAL OR EQUIVALENT.  
CAVITIES A1 THRU A17 TO ACCEPT 12040993 TERMINAL OR EQUIVALENT.  
CAVITIES B1, C1, D1, B2, C2, D2, B5, C5, D5, B6 C6 & D6 TO ACCEPT 12066493 TERMINAL OR EQUIVALENT.  
CONNECTOR ASM TO ACCEPT 12047845, 12047846 & 12047838 SECONDARY LOCKS.
  - SEALING CODE 0 - UNSEALED
  - DIMENSIONS INDICATED BY "\*" ARE CONTROLLED FOR THE COMPONENT ASSEMBLY. ALL OTHER DIMENSIONS ARE CONTROLLED BY THE INDIVIDUAL COMPONENT DRAWINGS AND DO NOT NEED TO BE INSPECTED.



ASSEMBLY PART NO	REV	N/P	STATUS	CONNECTOR PART NO	T-NUT
15492580	01	AB	OBSOLETE	12084132	15492560
15492579	01	AB	RESTRICTED	12066326	15492560
12084133	02	AC	OBSOLETE	12084132	12064756
12077822	A4		OBSOLETE	12066326	12064756

DIMENSIONAL RANGE (MM)		SHORT ET
FROM	> 0	> 30
TO	20	70
	70	100
	100	150
	150	200
	200	250
	250	300
	300	400
TOLERANCE UNLESS OTHERWISE SPECIFIED		
	±0.15	±0.2
	±0.3	±0.4
	±0.5	±0.6
	±0.8	±1.0
	±1.2	±1.5
ANGULAR TOLERANCE 2°		

PART DRAWING	
DATE	17JAO2
STG	R
REV	01
N/P	-
CHG	-
ZONE	-
UNLESS OTHERWISE SPECIFIED	
THIS DOCUMENT IS IN ACCORDANCE WITH ASME Y14.5M-1994 AS MODIFIED BY THE M SI UNITS DIMENSIONING PRACTICE (UNLESS OTHERWISE SPECIFIED). SEPARATE NOTATIONS OF TOLERANCE ADDRESSES SHALL BE MADE SEPARATELY PER REFERENCE TO THE DRAWING.	
ALL DIMENSIONS ARE IN MILLIMETERS	
THIRD ANGLE PROJECTION	
DO NOT SCALE	
USE MATH DATA	

**DELPHI**  
DELPHI PACKARD ELECTRIC SYSTEMS  
WARREN, MI

DR	DATE
APV01 J. COLDSNOW	23DEC87
APV02 J. GRABIEC	26JABB
APV03 A. WINYARD	26JABB
APV04	
APV05	

SUBSTANCES OF CONCERN AND RECYCLED CONTENT PER DELPHI 1094001

DRAWING NAME  
TAXI ASM CONN M/W/P 150 280 630

DRAWING NUMBER  
**12084144**

SCALE	FRAME NO	SHEET NO	REV	N/P
A0	2:1	1 OF 1	1 OF 1	R 06

# Mouser Electronics

Authorized Distributor

Click to View Pricing, Inventory, Delivery & Lifecycle Information:

[Aptiv:](#)

[12066326](#)