
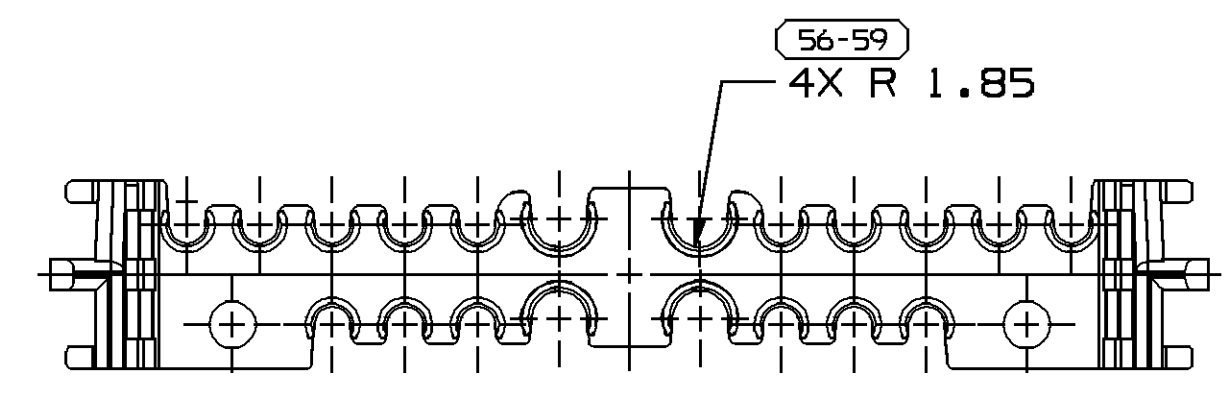
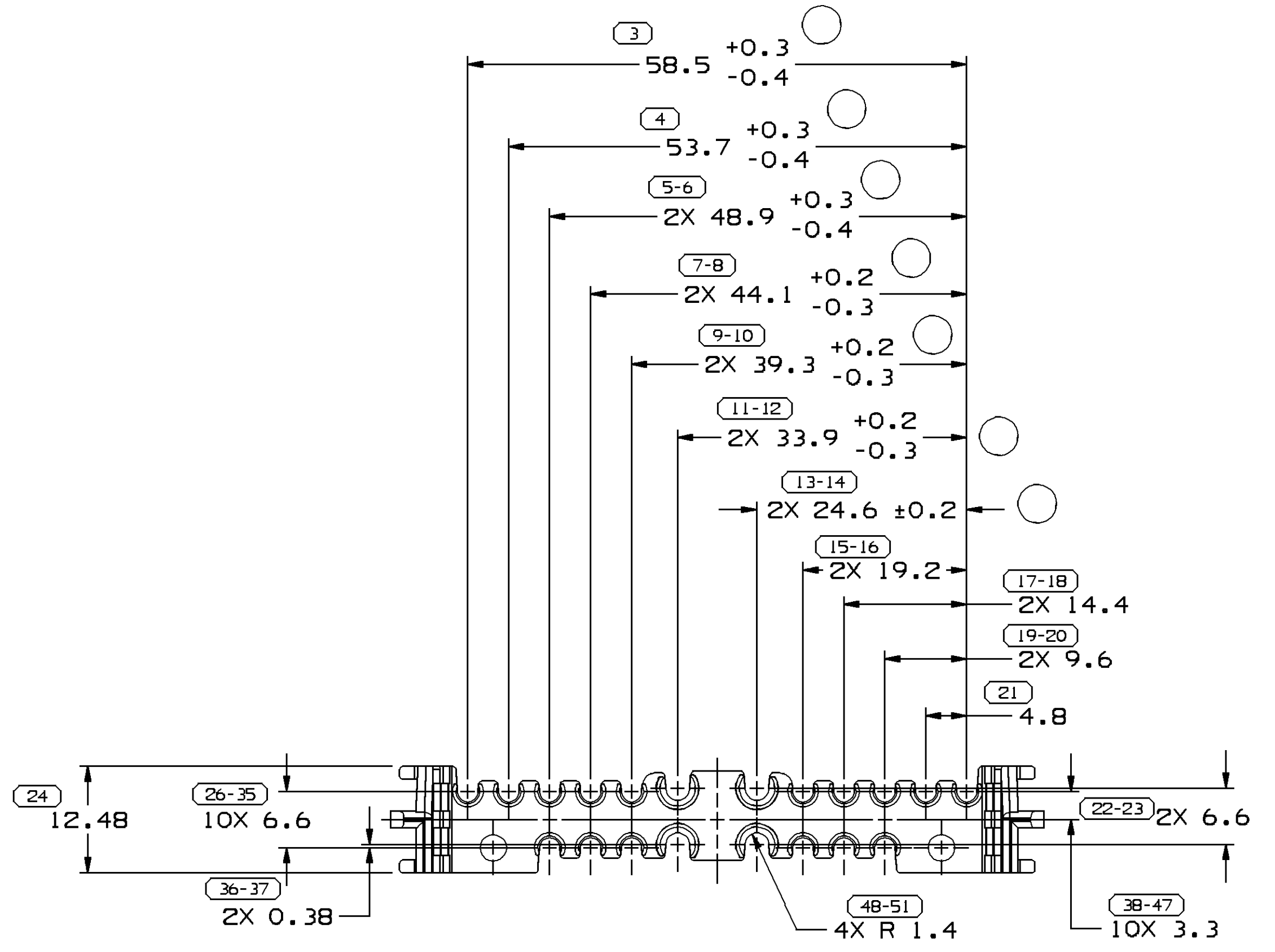
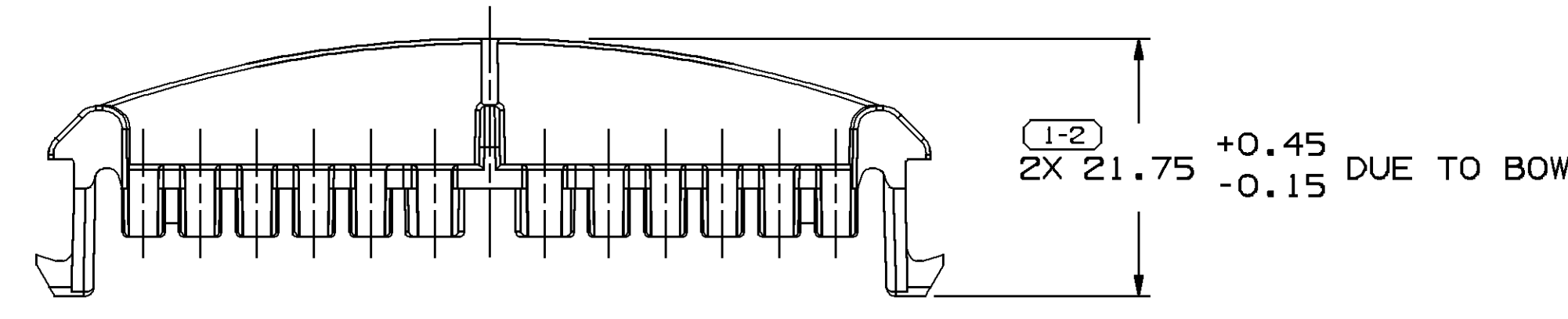
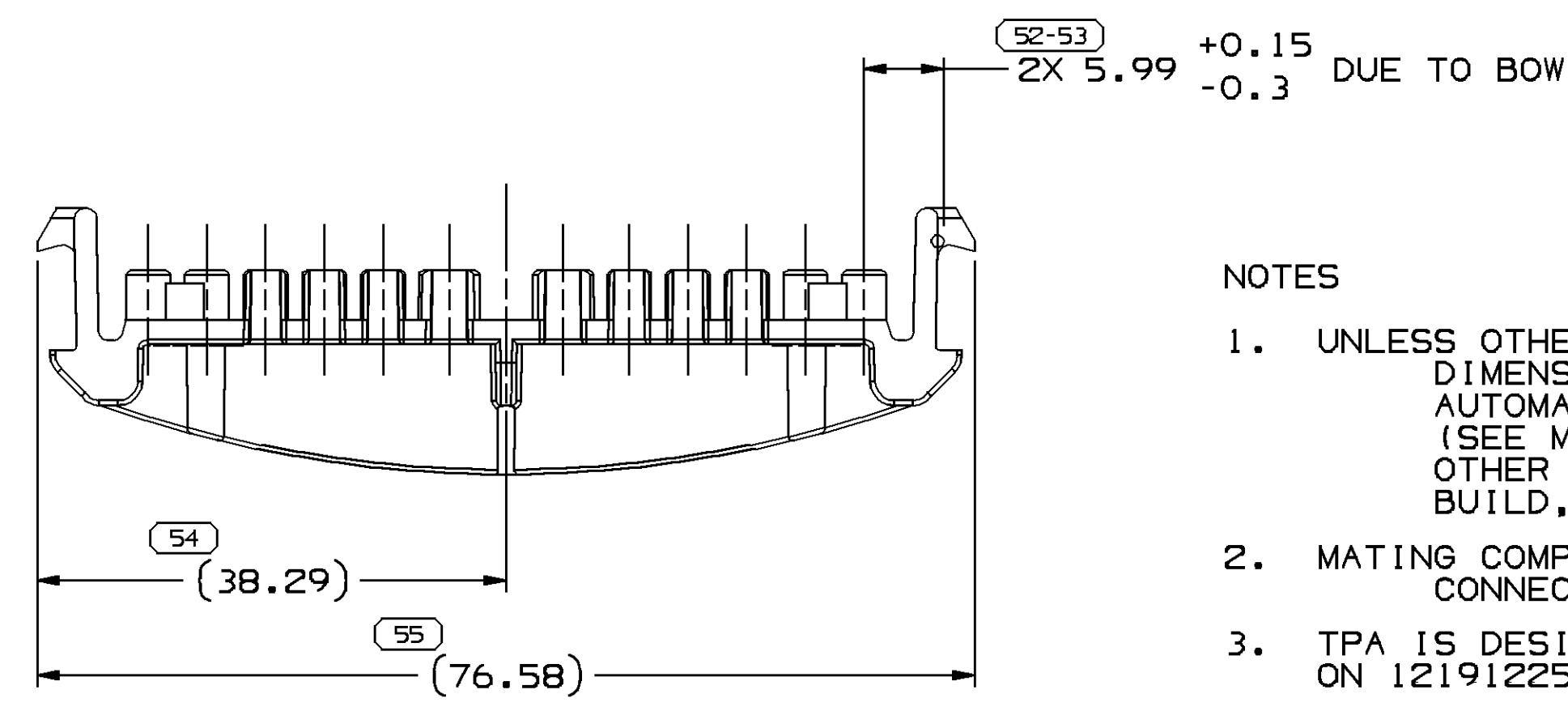
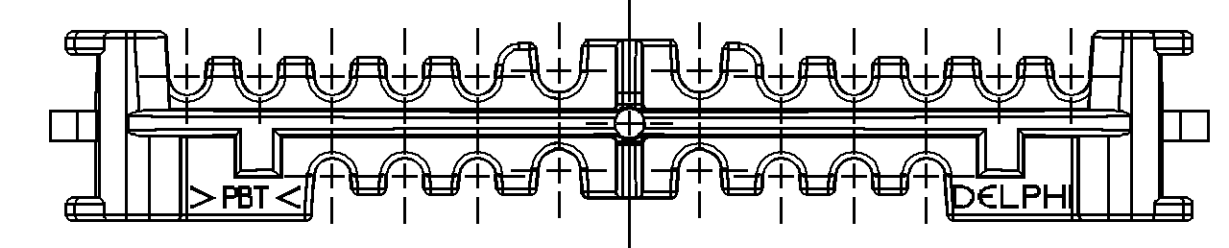
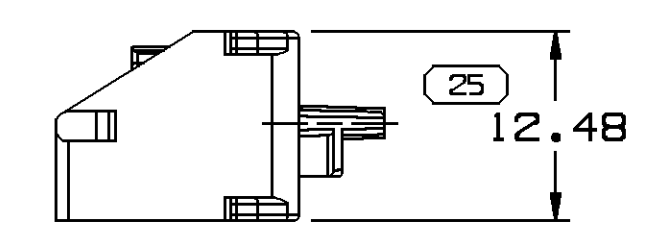


SYMBOL DEFINITION		MISSING NUMBERS	
A DIMENSION WITHOUT AN INSPECTION REPORT SYMBOL  DOES NOT REQUIRE INSPECTION. IT MAY BE CONTROLLED ON AN INDIVIDUAL COMPONENT DRAWING.	TOTAL NO. OF SYMBOLS ON DRAWING	23	
	LAST NO. USED	59	

DWG STATUS					REVISION HISTORY				AUTH	DR	APVD1	APVD2
DATE	STG	REV	N/P	CHG	ZONE							
11DE98	R	001	--			15304903	-	WAS ON SEPARATE DWG & REVISED	191318	TLP	TLP	JK
11DE98	R	002	--			15366013	-	RELEASED	980005	TLP	TLP	JK
18DE99	R	003	-	-		15373542	-	RELEASED	990005	EFM	JVM	CM
13MR00	R	004	-	-		15373542	-	OBSOLETE	000003	AAS	JVM	CM
11MR03	R	05	-	-				ALL PARTS - ADDED NOTES 4 & 5, UPDATED FORMAT, UPDATED PDM ATTRIBUTES & UPDATED MATERIAL SPEC.	237449	EES	EES	MP
05FE07	R	06	-	-				ALL ACTIVE PARTS - REVISED TOL. 7 PLCS	400411	RH	RH	JAS



TYPE 102
SAME AS TYPE 101
EXCEPT AS SHOWN



NOTES

- UNLESS OTHERWISE SPECIFIED AND/OR INDICATED: DIMENSIONS ARE TO FACE OF VIEW SHOWN AND AUTOMATICALLY ROUNDED BY COMPUTER FOR INSPECTION. (SEE MATH MODEL FOR PRECISE DIMENSIONS.) FOR ALL OTHER DIMENSIONS NOT SHOWN BUT REQUIRED FOR TOOL BUILD, SEE MATH MODEL FOR PRECISE TOOL PATH DATA.
- MATING COMPONENTS OR EQUIVALENT: CONNECTOR 15317380
- TPA IS DESIGNED FOR USE WITH 2-RIB CABLE SEAL AS SHOWN ON 12191225 OR EQUIVALENT.
- MATERIAL RECYCLING CODE >PBT< PER SAE J1344. (1.31X1.1) RAISED CHARACTERS AS SHOWN TO BE LOCATED ON ANY EXTERIOR SURFACE. OPTIONAL CONSTRUCTION TO BE NO MATERIAL RECYCLING CODE.
- (1.4X1.1) RAISED DELPHI CORPORATE BRAND TO BE LOCATED ON ANY EXTERIOR SURFACE, PREFERABLY VISIBLE AT FINAL ASSEMBLY. OPTIONAL CONSTRUCTION TO BE "PED" OR NO LOGO.

PART NO	REV	N/P	STATUS	TYPE	MATERIAL SPECIFICATION AND COLOR	VOL CM ³
15373542	001	AB	OBSOLETE	101	M4695002 PBT-BLK	3.535
15366013	001	AB		102	M4695008 PBT-BLU	3.443
15304903	005	AB		101	M4695003 PBT-GRN	3.535

DIMENSIONAL RANGE (MM)		CHART ET	
FROM	> 0	> 20	> 300
TO	20	30	400
TOLERANCE UNLESS OTHERWISE SPECIFIED			
±0.15		±0.2	±0.3
±0.4		±0.5	±0.6
±0.8		±1	±1.2
ANGULAR TOLERANCE ±2°			

DWG TYPE: PART DRAWING

STYLE: SEE CHART

DISTR CODE: D

UNLESS OTHERWISE SPECIFIED THIS DOCUMENT IS IN ACCORDANCE WITH ASME Y14.5M-1994 AS AMENDED BY THE 0M GLOBAL DIMENSIONING AND TOLERANCING ADDENDUM - 1997. ALL GEOMETRIC TOLERANCES AND RELATED DATUMS APPLY RFS. RULE #1 (PERFECT FORM AT MMC) DOES NOT APPLY WHEN RELATIONSHIP BETWEEN FEATURES IS ESTABLISHED BY ORIENTATION OR LOCATION TOLERANCES. SEPARATE POSITION CALLOUTS MAY BE GAGED SEPARATELY, REGARDLESS OF DATUM REFERENCE. ALL DIMENSIONS ARE IN MILLIMETERS

THIRD ANGLE PROJECTION

DO NOT SCALE USE MATH DATA

DELPHI

DELPHI PACKARD ELECTRICAL/ELECTRONIC ARCHITECTURE
WARREN, OH

DR	DATE
APVD1 T. PACK	11DE98
APVD2 T. PACK	11DE98
APVD3 COURTNEY MANSKY	24AP00
APVD4	
APVD5	

SUBSTANCES OF CONCERN AND RECYCLED CONTENT PER DELPHI 10945001

MATERIAL SEE CHART

DRAWING NAME: TAXI LOCK SECONDARY TPA 0T

DRAWING NUMBER: 15366015

SIZE	SCALE	FRAME NO	SHEET NO	STG	REV	N/P
A1	2:1	1 OF 1	1 OF 1	R	06	-

Mouser Electronics

Authorized Distributor

Click to View Pricing, Inventory, Delivery & Lifecycle Information:

[Aptiv:](#)

[15366013](#)