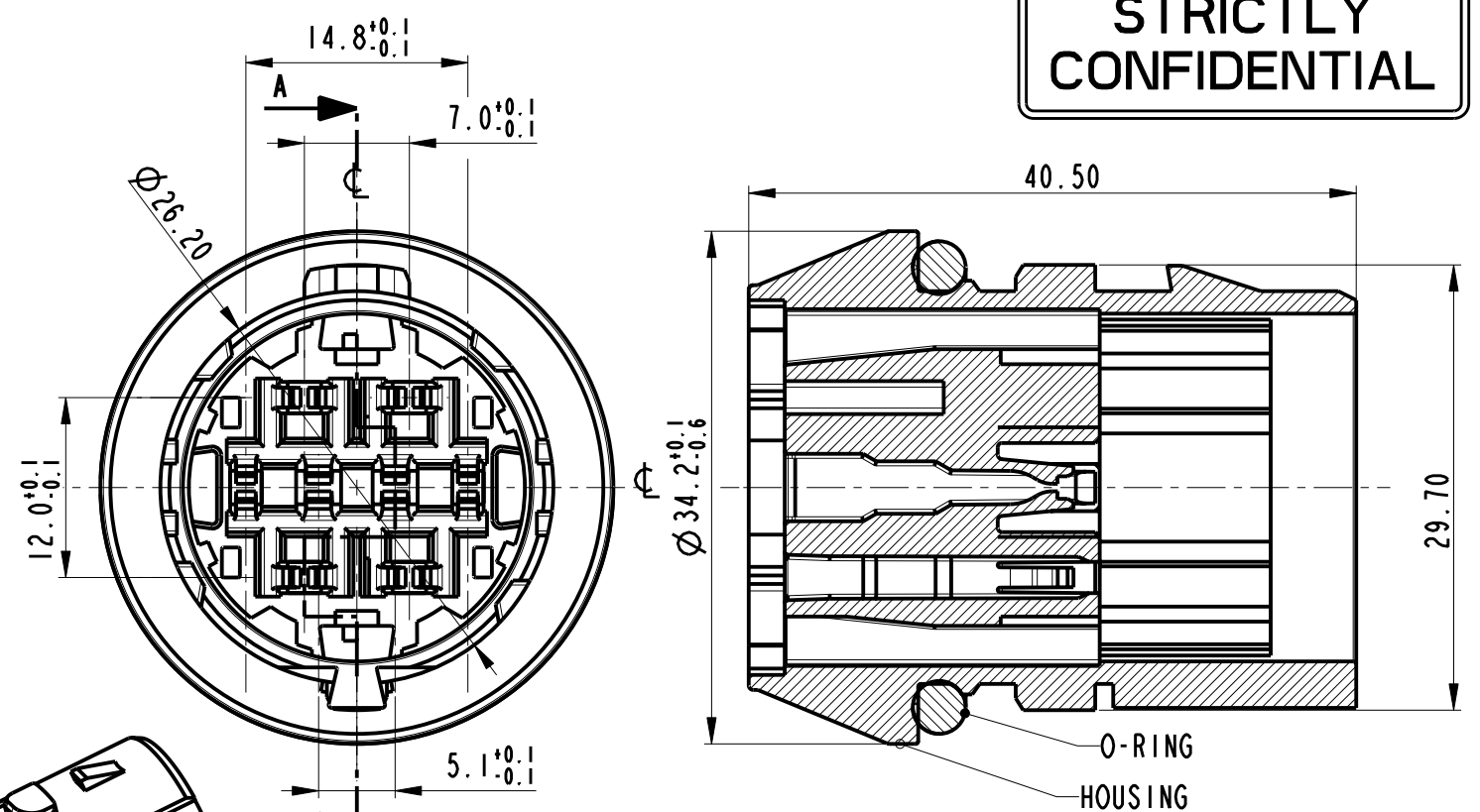


STRICTLY CONFIDENTIAL

ASSEMBLY MALE

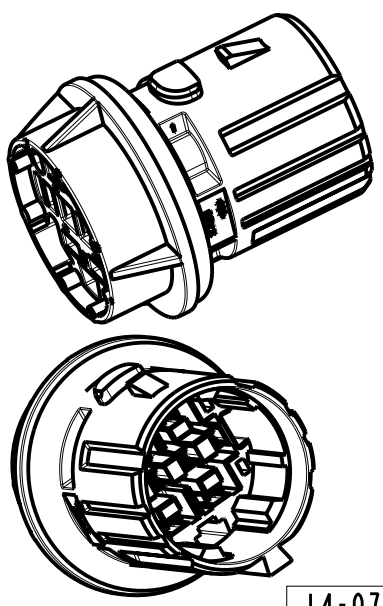
HOUSING	material PBT
O-RING	material EDPM
BLACK COLOUR (colore nero)	
MECHANICAL POLARIZATION (polarizzazione meccanica)	
MVL P/N	17260801
DELPHI P/N	33500006



NOTE: The secondary lock is supplied separately (il secondary lock viene fornito separatamente)

ASSEMBLY MALE

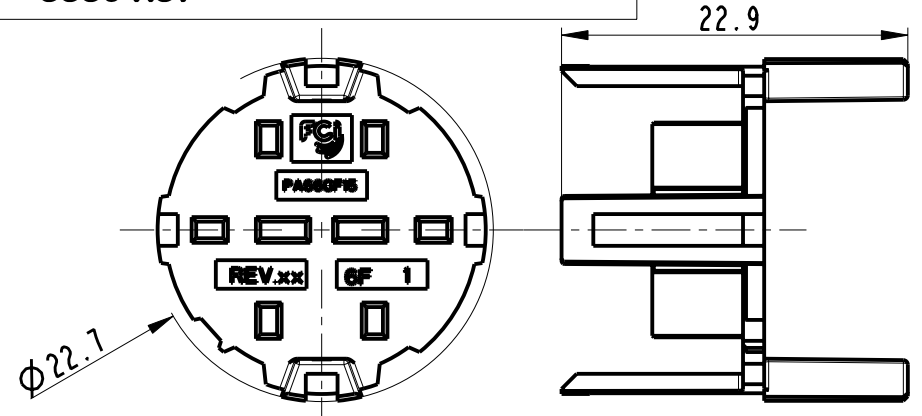
HOUSING	material PBT
O-RING	material EPDM
GREEN COLOUR (colore verde)	
MECHANICAL POLARIZATION (polarizzazione meccanica)	
MVL P/N	17260851
DELPHI P/N	33504157



CAVITY SUITABLE FOR TERMINAL	WIRE SIZE (mm ²)	P/N MVL	P/N DELPHI	P/N FIAT AUTO
SICMA2 MALE 2.8x0.8 (T3)	0.35 - 0.75	1 706 21 00	33504010	1/05041/54
SICMA2 MALE 2.8x0.8 (T3)	1.0 - 2.5	1 706 21 10	33102119	1/01550/54
SICMA3 MALE 1.5x0.8 (T3)	0.35 - 0.75	211CL2S1160	10730997	1/03269/54
SICMA3 MALE 1.5x0.8 (T3)	1.0 - 1.5	211CL2S2160	15368852	1/03277/54

ECN-NO. / NUMERO - ECN	DATE / DATA	REVISION / REVISIONE	POSITION / POSIZIONE	CHANGE DESCRIPTION / DESCRIZIONE MODIFICA	DRAWN BY / DISEGNATORE	CHK. BY / CONTROLLATO	APPR. BY / APPROVATO
14-07742	07/11/14	A		DELPHI P/N ADDED	S.N	F.G	M.C
	24/06/10	05		Amended description o-ring material			
04-10	16/03/2010	04	C2	Replaced 2.8x0.8 terminal PN	GB		MC
01-09	02/02/2009	03-R		RELEASED FOR PRODUCTION Mould revision net necessary	GB		MC
04/07	18/01/07	03		UPDATED TOLLERANCES	DT		MC
92/06	12/12/06	02		UPDATED MODEL DRAWING AND NOTES	D.T.		M.C.
-	23-06-06	01		UPDATED MODEL DRAWING AND NOTES	D.T.		M.C.

SECONDARY LOCK MALE	
COLOUR (colore)	VIOLET COLOUR (colore viola)
MVL P/N	17260874
DELPHI P/N	33501049



PRODUCT SPEC. / SPEC. DI PRODOTTO: **IPS 310**

PACKAGING SPEC. / SPEC. DI IMBALLAGGIO: **-**

APPLICATION SPEC. / SPEC. DI APPLICAZIONE: **IPS 311**

COPYRIGHT: DELPHI CORPORATION AND/OR ITS AFFILIATES. ALL RIGHTS RESERVED. REVISED THIS DRAWING IS THE PROPERTY OF DELPHI CORPORATION. THE REPRODUCTION, DISTRIBUTION AND UTILIZATION OF THIS DOCUMENT OR ITS RELATED CAD MATH DATA, AS WELL AS COMMUNICATION OF ANY CONTENT TO OTHERS, WITHOUT EXPRESS AUTHORIZATION IS PROHIBITED.

TOLERANCES / TOLLERANZE: **± 0.3 mm / ± 0.1 mm**

COUNTERPART Nr. / CONTROPARTE Nr.: **1 726 08 X5**

DO NOT SCALE DRAWING / DISEGNO FUORI SCALA

DRAWN BY / DISEGNATORE: **12-04-06 G. Stella**

CHECKED BY / CONTROLLATO

APPROVED BY / APPROVATO: **12/04/06 M. Colombo**

MATERIAL: SEE TABLE

COLOR: SEE TABLE

TOOL NO.

LOC. CODE / NAZIONALITA': **IT**

FILE NAME / NOME FILE: **fsc309915**

SCALE / SCALA: **2:1**

DELPHI
 DELPHI PACKARD ELECTRICAL/ELECTRONIC ARCHITECTURE
 TORINO, ITALY

C ISO PROJECTION / PROIEZIONE ISO

DIMENSION IN MILLIMETERS / DIMENSIONI IN MILLIMETRI

DWG SIZE / FORMATO: **A3**

SHEET / FOGLIO: **1** of **1**

ASSEMBLY MALE 8 WAY CONNECTOR

ESR NO. / NUMERO ESR: **EU 060274**

CAT. NO. / NUMERO CAT.: **SEE TABLE**

Mouser Electronics

Authorized Distributor

Click to View Pricing, Inventory, Delivery & Lifecycle Information:

[Aptiv:](#)

[17260801-B](#)