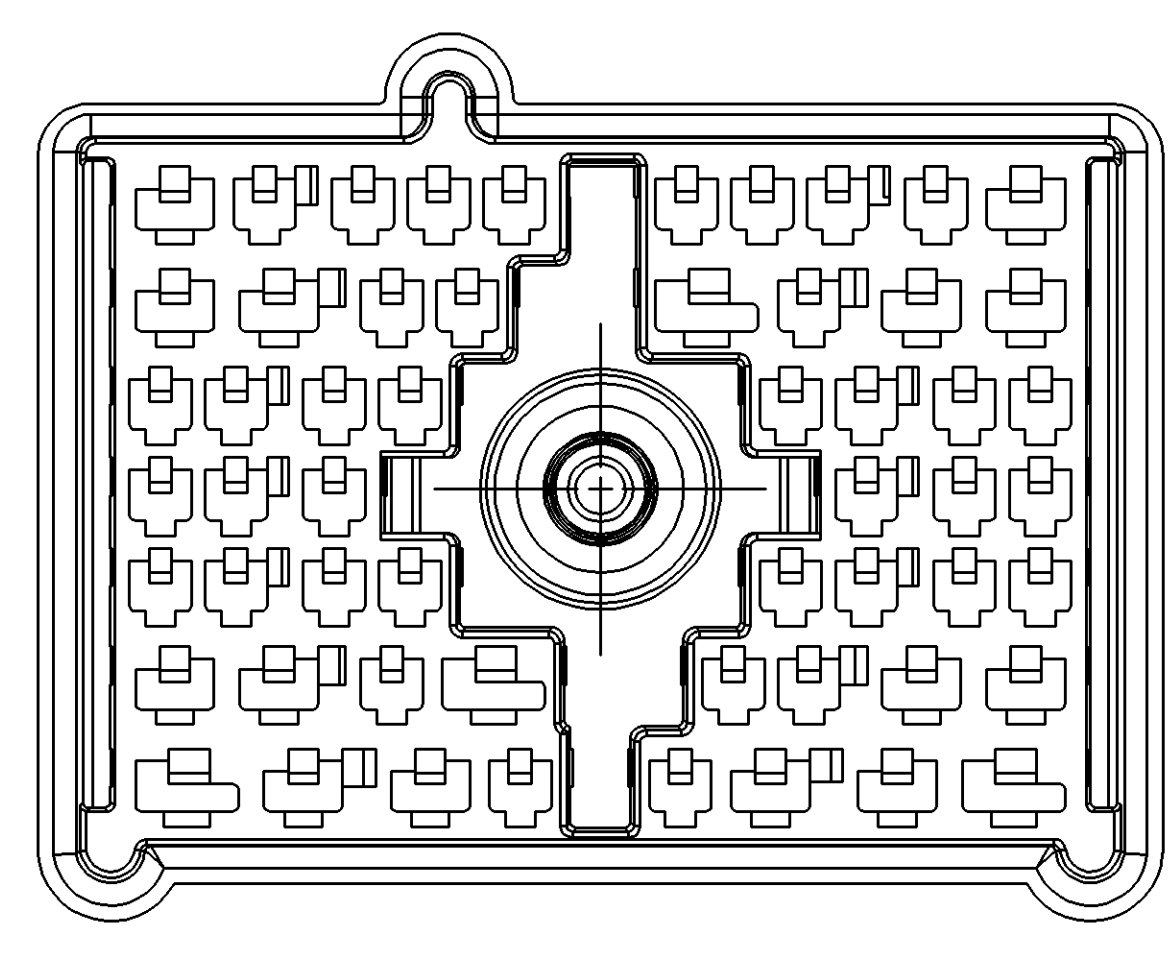
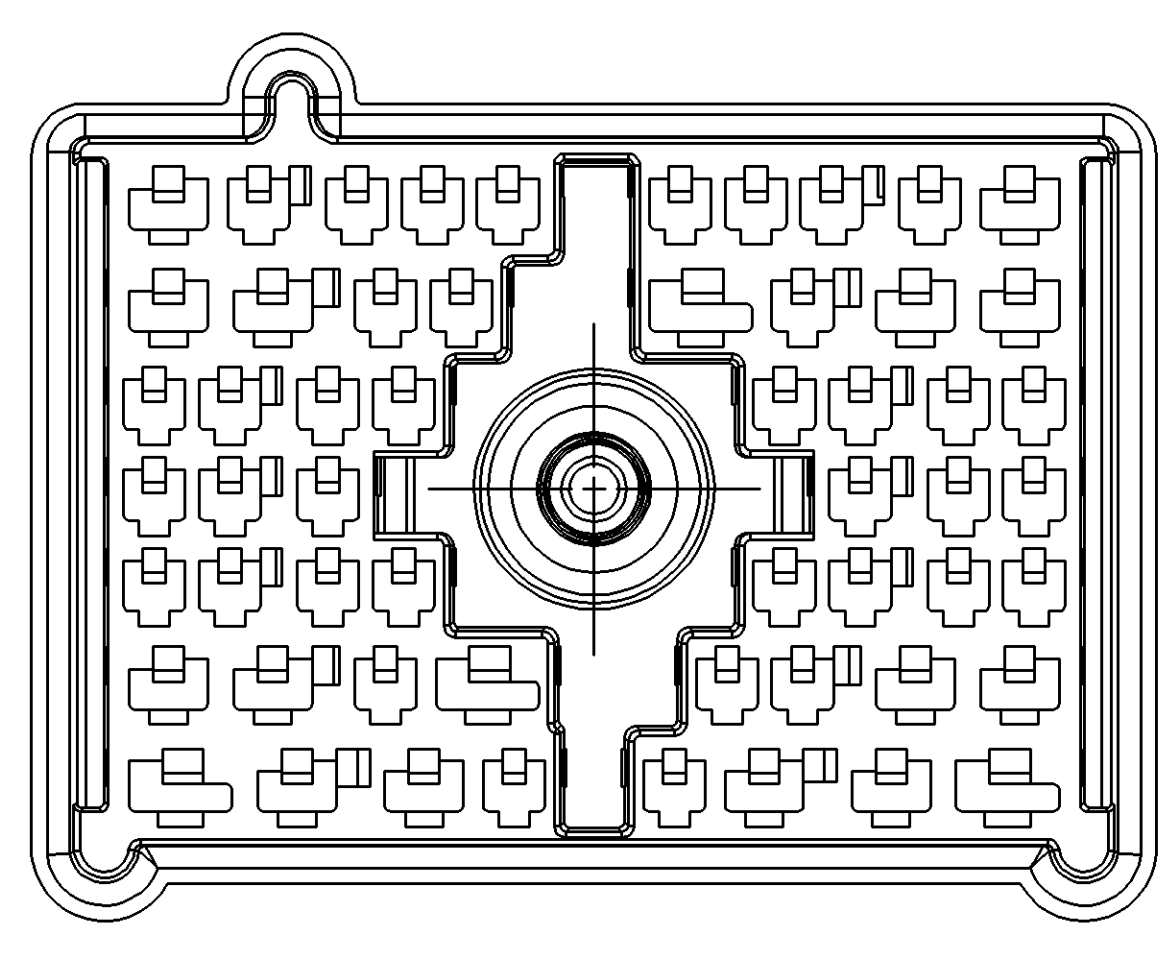


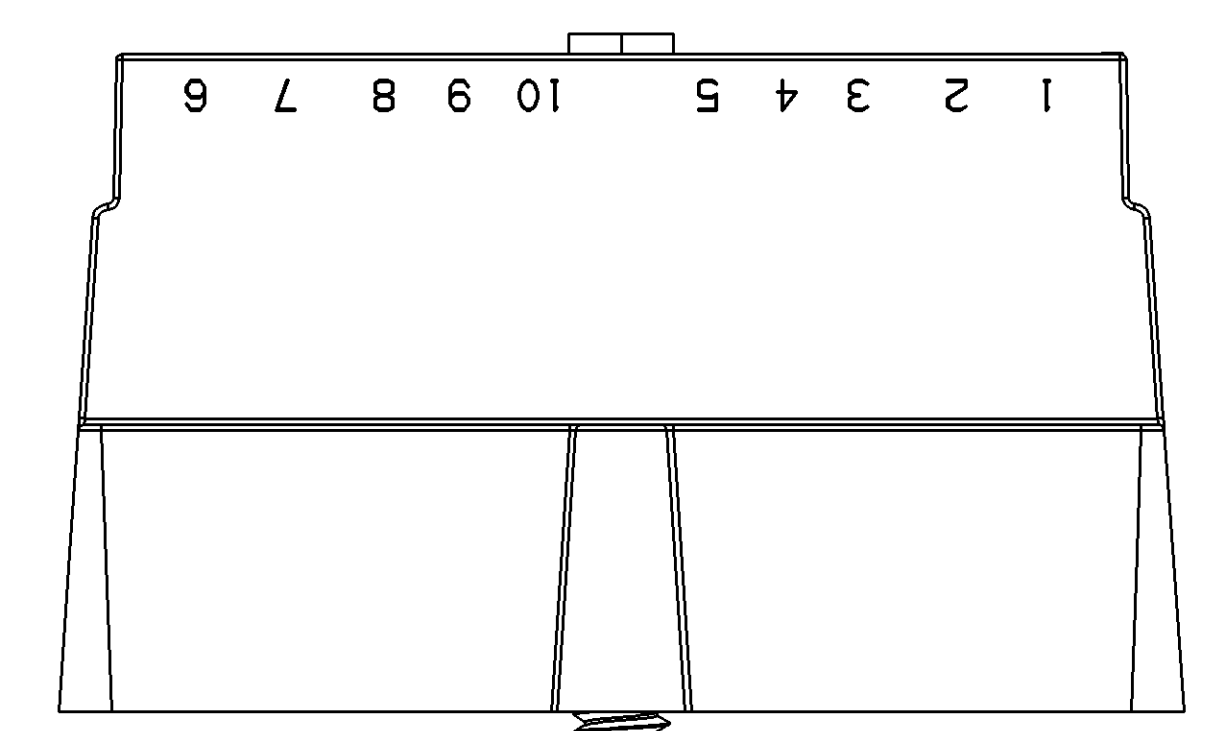
SYMBOL DEFINITION		MISSING NUMBERS		DWS STATUS				REVISION HISTORY				AUTH			
DATE	STG	REV	N/P	CHK	ZONE	DATE	STG	REV	N/P	CHK	ZONE	AUTH	DR	APVD	
19MY99	R	01	-	-	-	190222						190222	EOV	GMC	
ALL PARTS - ADDED OPTIONAL CONSTRUCTION TO SHOWN PED; ADDED REF DIMS (4 PLS)															
19MY99	R	02	-	-	-	196855						196855	GMC	GMC	
ALL PARTS - DIM WAS 18.6 MAX															
16NO99	R	03	-	-	-	198116						198116	EOV	HH	
ALL ACTIVE PARTS - ADDED 59.42 +/- 1.95 DIM, REMOVED 12.93 +/- 0.5/-3 DIM & REVISED NOTES															
01FE00	R	04	-	-	-	199300						199300	HH	HH	
ALL PARTS - REVISED DIMENSION															
14JN04	R	05	-	-	-	253207						253207	MDH	JVM	
12034253, 12034254 AND 12034255 - OBSOLETE AND ADDED NOTE 6															
25MY04	R	06	-	-	-	255769						255769	GFS	JAA	
15492536, 15492632 AND 15492660 - RELEASED; 12034252, 12186339 AND 15326227 - RESTRICTED															
11OC05	R	07	-	-	-	273210						273210	JTZ	JAA	
15326227 & 12034252 - OBSOLETE															
17OC05	R	08	-	-	-	273358						273358	CCV	FRG	
12186339 - OBSOLETE															



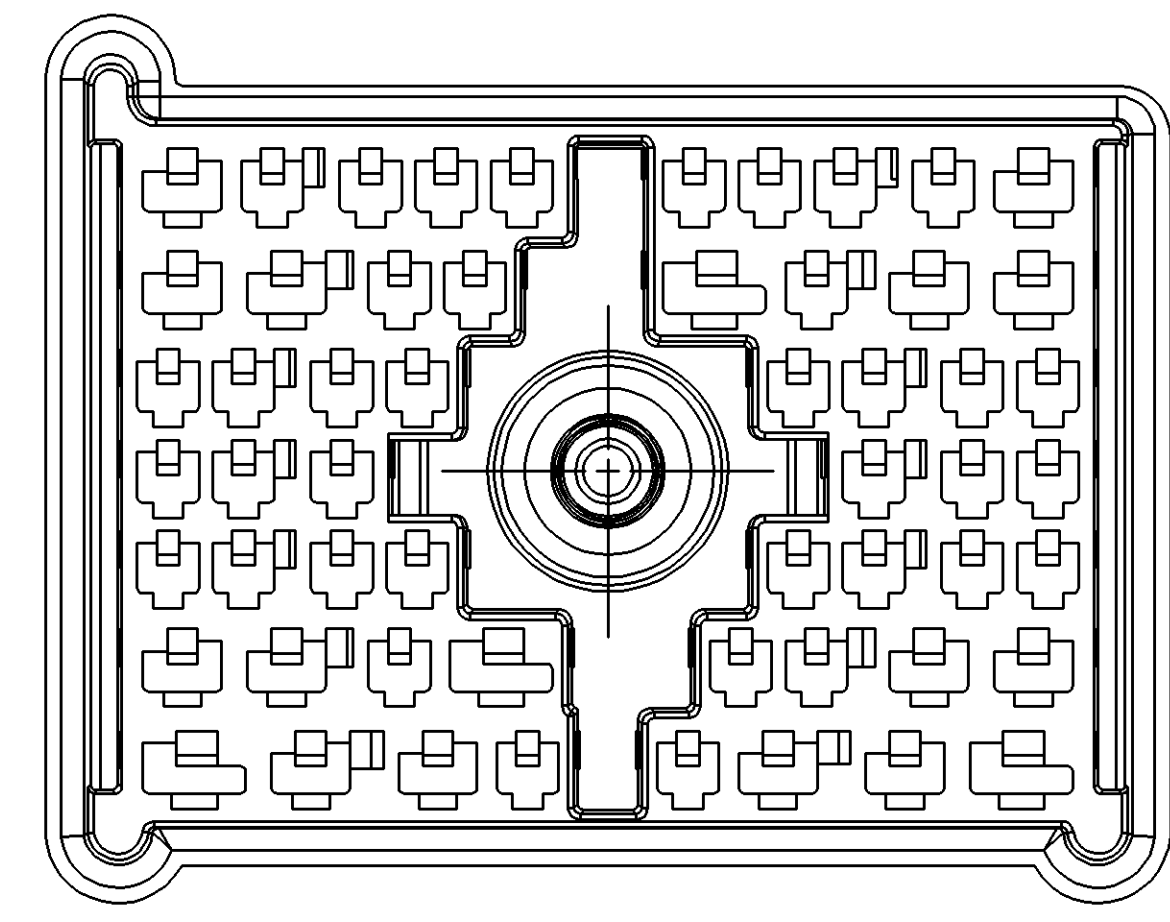
TYPE 102  
SAME AS TYPE 101  
EXCEPT AS SHOWN



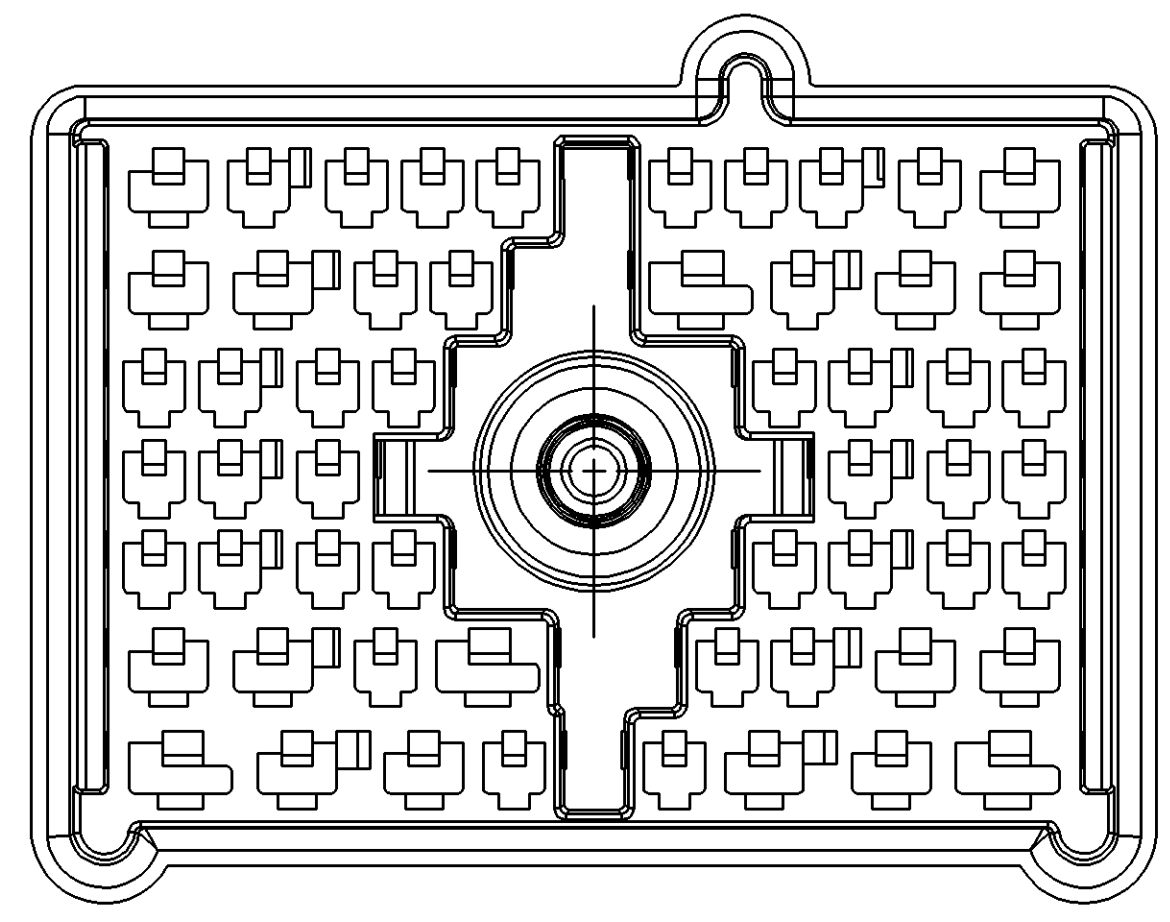
TYPE 103  
SAME AS TYPE 101  
EXCEPT AS SHOWN



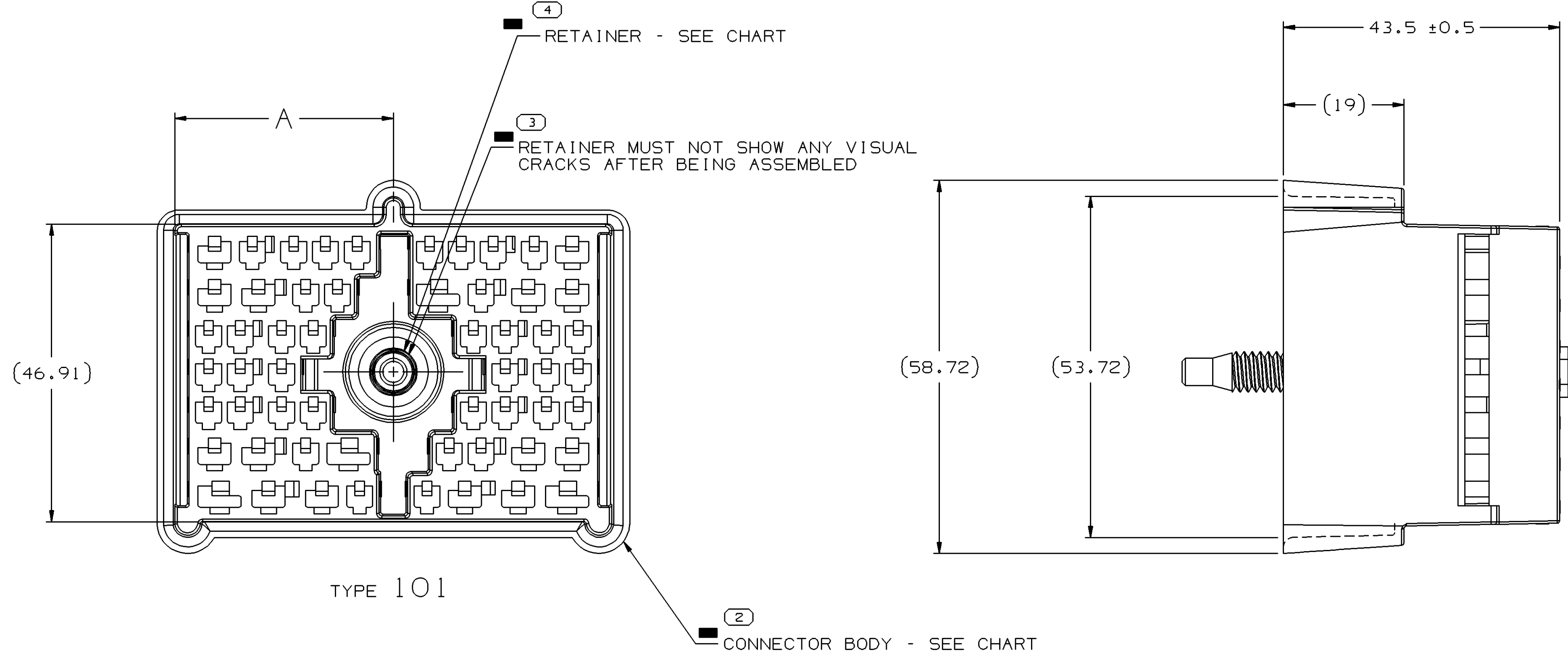
5 BOLT - SEE CHART



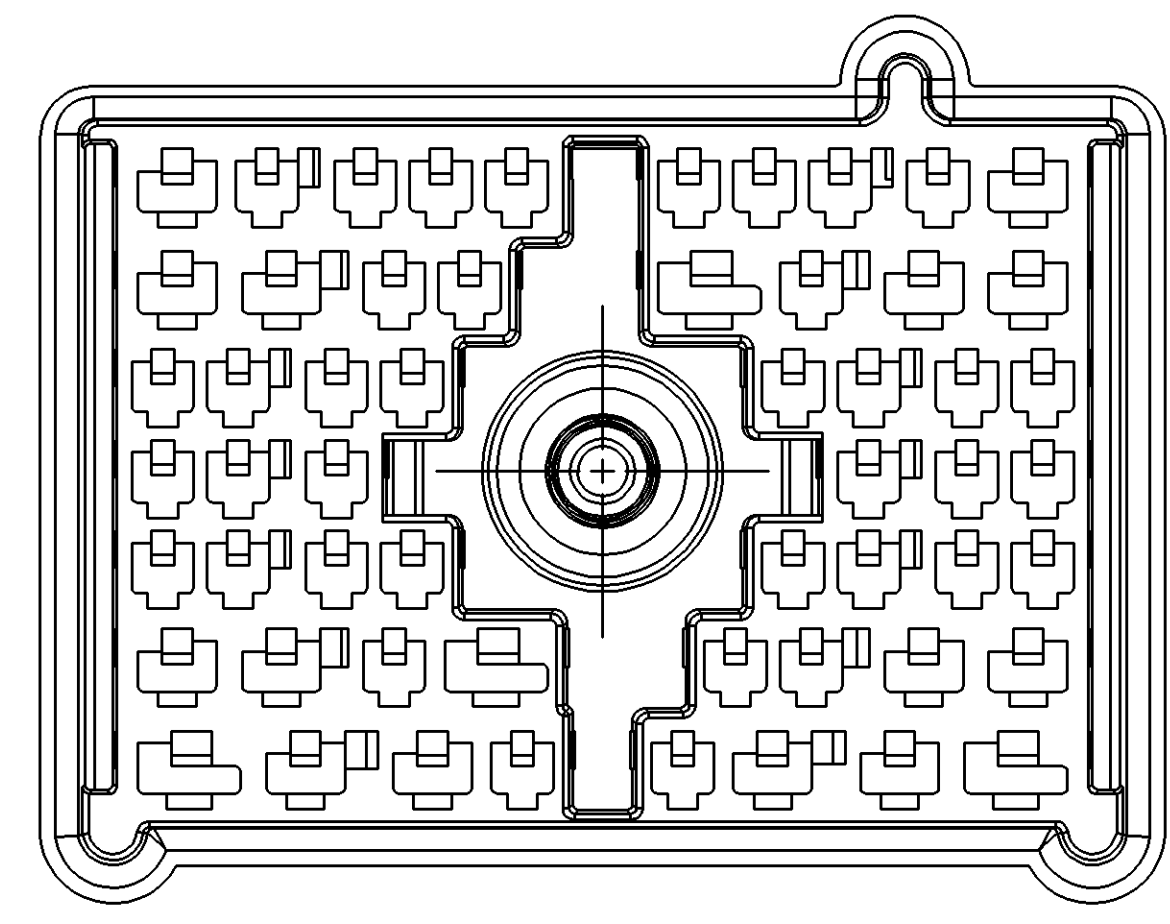
TYPE 104  
SAME AS TYPE 101  
EXCEPT AS SHOWN



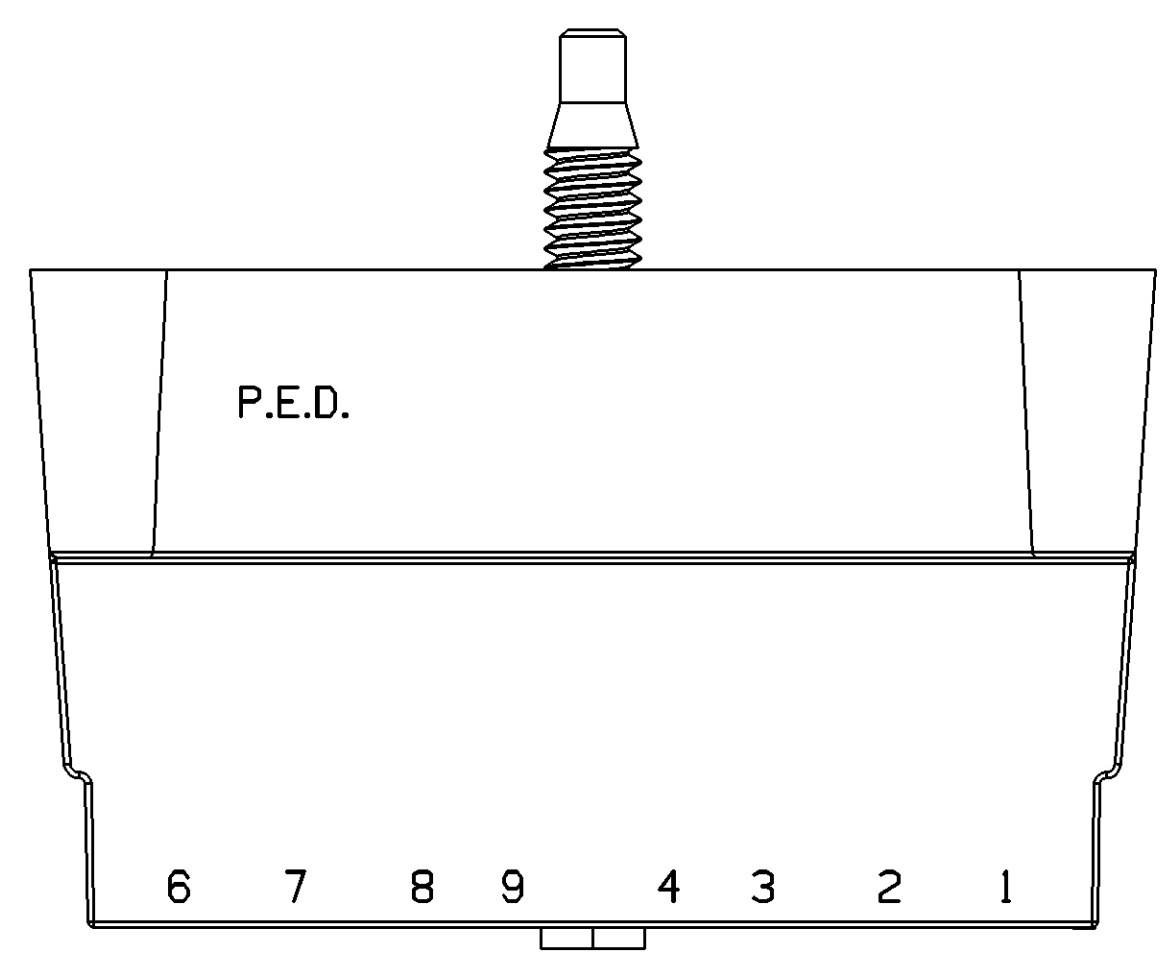
TYPE 105  
SAME AS TYPE 101  
EXCEPT AS SHOWN



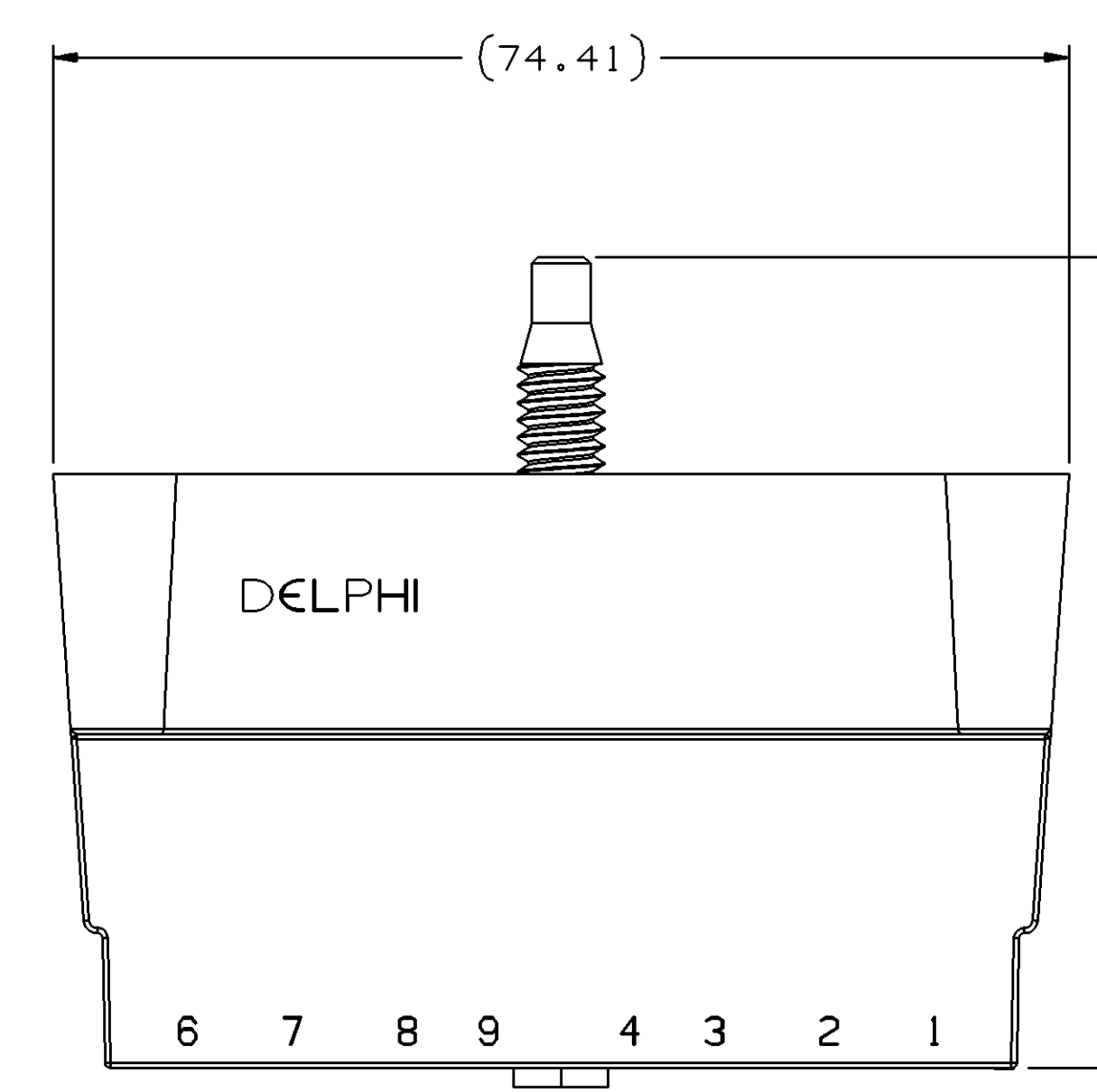
TYPE 101



TYPE 106  
SAME AS TYPE 101  
EXCEPT AS SHOWN

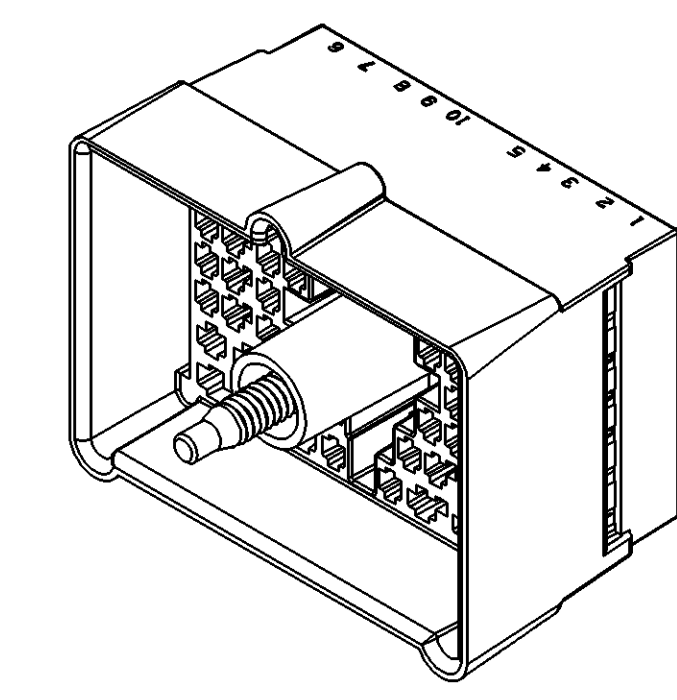


OPTIONAL CONSTRUCTION



59.4 ± 1.9

DIMENSION TO BE MEASURED WITH BOLT ALLOWED TO REST IN POSITION SHOWN AND ALLOWED TO PROTRUDE FROM BOTTOM OF CONNECTOR.



NOTES

- UNLESS OTHERWISE SPECIFIED AND/OR INDICATED: DIMENSIONS ARE TO FACE OF VIEW SHOWN AND AUTOMATICALLY ROUNDED BY COMPUTER FOR INSPECTION (SEE MATH MODEL FOR PRECISE DIMENSIONS). FOR ALL OTHER DIMENSIONS NOT SHOWN BUT REQUIRED FOR TOOL BUILD, SEE MATH MODEL FOR PRECISE TOOL PATH DATA.
- THIS PART IS NOT CONTROLLED FOR AUTOMATIC FEEDING.
- THIS PART ACCEPTS THE FOLLOWING COMPONENTS OR EQUIVALENT: CAVITIES A1, A6, B9 & F4 TO ACCEPT 12020125 TERMINAL CAVITIES A2, A3, A7, A8, B1, B2, B6, B7, F1, F2, F6, F7, G1 & G6 TO ACCEPT 12020119 TERMINAL ALL OTHER CAVITIES TO ACCEPT 12034047 TERMINAL
- THIS ASSEMBLY IS TO BE BOLTED TO MATING CONNECTOR ASSEMBLY WITH A TORQUE ON THE BOLT OF 5.6 Nm TO 7.9 Nm.
- DIMENSIONS INDICATED BY "■" ARE CONTROLLED FOR THE COMPONENT ASSEMBLY. ALL OTHER DIMENSIONS ARE CONTROLLED BY THE INDIVIDUAL COMPONENT DRAWING.
- OBSOLETE PART(S) CONTAIN A HEXAVALENT CHROME COATING. DO NOT USE THIS PART ON NEW APPLICATIONS. HEXAVALENT CHROME IS A BANNED SUBSTANCE. IF THIS PART IS REQUIRED FOR CURRENT OR FUTURE BUSINESS OR FOR SERVICE REQUIREMENTS, CONTACT THE PRODUCT LINE ENGINEER OR MATERIALS ENGINEERING TO GET A NEW PART THAT IS FREE FROM HEXAVALENT CHROME. EXISTING INVENTORY OF THIS PART MAY BE USED UNTIL JULY 1, 2007 FOR SERVICE REQUIREMENTS.

PART NO	REV	N/P	STATUS	CONN BODY	TYPE	MATING CONNECTOR ASM	A DIM	BOLT	RETAINER	REPLACED BY
15492660	01	-	-	12034244 PA6-BLU	106	12034262	54.4	15492555	15492512	
15492632	01	-	-	12034239 PA6-BLK	101	12034257	34.4	15492555	15492512	
15492536	01	-	-	12034240 PA6-GRN LT	102	12034258	24.4	15492516	15492512	
15326227	02	AD	OBSOLETE	12034244 PA6-BLU	106	12034262	54.4	12059725	12004737	
12186339	A5	-	OBSOLETE	12034239 PA6-BLK	101	12034257	34.4	12059725	12004737	
12034256	A	-	OBSOLETE	12034244 PA6-BLU	106	12034262	54.4	12015116	12004737	15326227
12034255	A4	-	OBSOLETE	12034243 PA6-GRA LT	105	12034261	44.4	12015116	12004737	
12034254	A4	-	OBSOLETE	12034242 PA6-YEL	104	12034260	1.5	12015116	12004737	
12034253	A4	-	OBSOLETE	12034241 PA6-RED	103	12034259	14.4	12015116	12004737	
12034252	A5	-	OBSOLETE	12034240 PA6-GRN LT	102	12034258	24.4	12015116	12004737	
12034251	A	-	OBSOLETE	12034239 PA6-BLK	101	12034257	34.4	12015116	12004737	12186339

DIMENSIONAL RANGE (MM)		TOLERANCE	
FROM	TO	±	ANGULAR TOLERANCE
> 0	> 20	> 0.1	± 0.1
> 20	> 30	> 0.1	± 0.1
> 30	> 70	> 0.1	± 0.1
> 70	> 100	> 0.1	± 0.1
> 100	> 150	> 0.1	± 0.1
> 150	> 200	> 0.1	± 0.1
> 200	> 250	> 0.1	± 0.1
> 250	> 300	> 0.1	± 0.1
> 300	> 400	> 0.1	± 0.1

**DELPHI**  
DELPHI PACKARD ELECTRIC SYSTEMS  
WARREN, OH

DRW TYPE	PART DRAWING
STYLE	
VOLUME (CM³)	DISTR CODE
	D
UNLESS OTHERWISE SPECIFIED	
THIS DOCUMENT IS IN ACCORDANCE WITH ASME Y14.5M-1994	
AS PERMITTED BY THE DIMENSIONAL DIMENSIONING AND TOLERANCING ADDENDUM (2003), SEPARATE PATTERNS OF FEATURES MAY BE DIMED SEPARATELY REGARDLESS OF DATUM REFERENCES.	
ALL DIMENSIONS ARE IN MILLIMETERS	
THIRD ANGLE PROJECTION	DO NOT SCALE
USE MATH DATA	

DRWING NAME	TAXI CONN M/P 280 480 630
DRWING NUMBER	12186357
SIZE	A0
SCALE	2:1
FRAME NO	1
SHEET NO	1
15th REV	N/P
DATE	08

# Mouser Electronics

Authorized Distributor

Click to View Pricing, Inventory, Delivery & Lifecycle Information:

[Aptiv:](#)

[15492632](#)