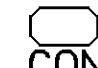
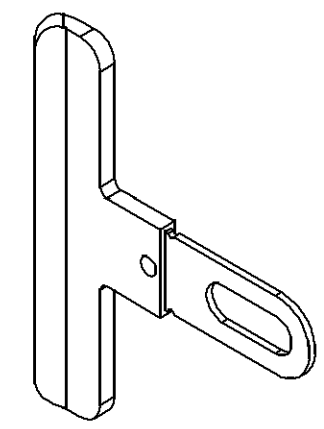
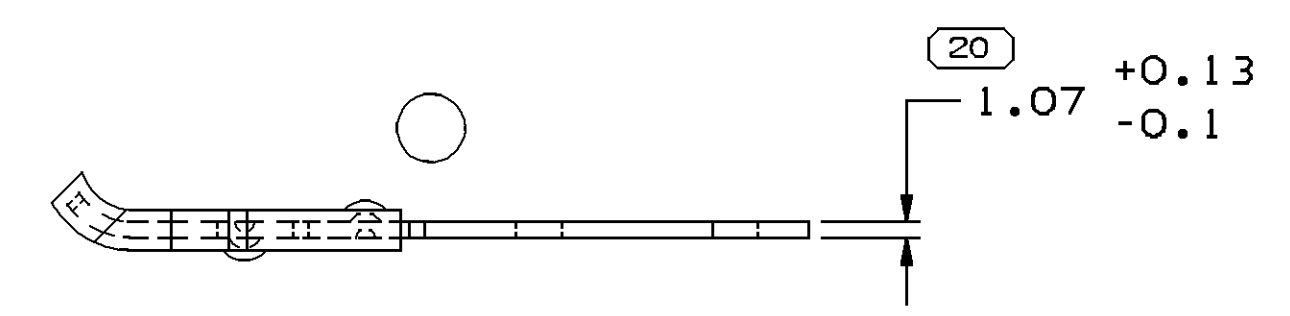
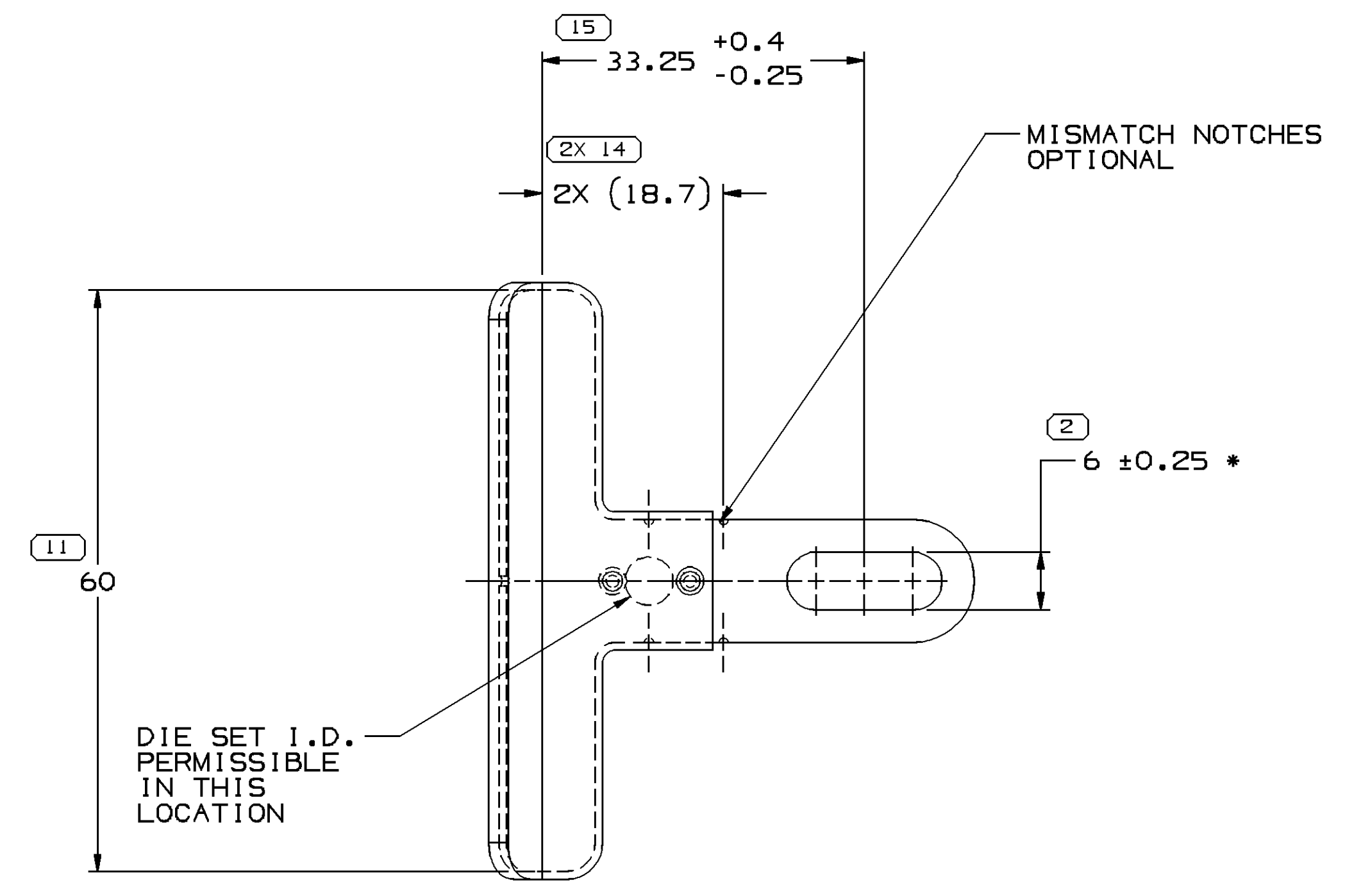


| SYMBOL DEFINITION   |                                  | MISSING SYMBOLS |                    |
|---|----------------------------------|-----------------|--------------------|
| A DIMENSION WITHOUT AN INSPECTION REPORT SYMBOL  DOES NOT REQUIRE INSPECTION. IT MAY BE CONTROLLED ON THE INDIVIDUAL COMPONENT DRAWING. | TOTAL NO OF INSPECTIONS REQUIRED | 6               | 1 3-10 12-13 16-19 |
|   | LAST NO. USED                    | 20              |                    |

| DWG STATUS |     |     |     | ZONE | REVISION HISTORY   | AUTH   | DR  | APVD1 | APVD2 |
|------------|-----|-----|-----|------|--|--------|-----|-------|-------|
| DATE       | STG | REV | N/P |      |  |        |     |       |       |
| 04AU04     | R   | 03  | -   | -    | CLEARED REV COL AND 15496311 - RELEASED                        | 257692 | RTV | JVM   | SAN   |
| 26JA05     | R   | 04  | -   | -    | 15496311 - REVISED PROCESS NOTE #3                             | 263856 | EES | EES   | TP    |
| 15AP05     | R   | 05  | -   | -    | 15496311 - ADDED DIM #20 AND ADDED PROCESS NOTE #4             | 266999 | CCV | FRG   | TP    |
| 190C05     | R   | 06  | -   | -    | 12129847 - OBSOLETE  | 273757 | JTZ | JAA   | PGD   |
| 28FE06     | R   | 07  | -   | -    | 12129846 - OBSOLETE; 15496311 - REMOVED DIMS AND ADDED DIMPLES | 276746 | RMG | FRG   | TP    |



NOTES

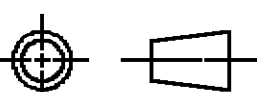
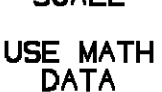
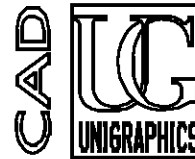
- UNLESS OTHERWISE SPECIFIED AND/OR INDICATED:  
DIMENSIONS ARE TO FACE OF VIEW SHOWN AND AUTOMATICALLY ROUNDED BY COMPUTER FOR INSPECTION (SEE MATH MODEL FOR PRECISE DIMENSIONS). FOR ALL OTHER DIMENSIONS NOT SHOWN BUT REQUIRED FOR TOOL BUILD, SEE MATH MODEL FOR PRECISE TOOL PATH DATA.
- "\*" INDICATES AREA MUST BE VOID OF VINYL.

PROCESS NOTES

- MATERIAL IS PRE-PLATED GALVANIZED, G90, WITH 0.00072" MIN COATING PER SIDE. PLATING TO WITHSTAND 300 HRS MIN TO RED RUST IN NEUTRAL SALT FOG, EXCEPT FOR "SHARP" EDGES
- BLACK VINYL COATING TO BE 1.2/0.4 THICK AS SHOWN.
- PRE-PLATED G90 MATERIAL PER SPEC M4869 ASTM A653 SS GRD 50 MATERIAL THICKNESS: 1.07MM
- PLATING TO WITHSTAND 300 HOURS MIN TO RED RUST IN NEUTRAL SALT FOG, EXCEPT FOR SHARP EDGES.

| PART NO. | REV | N/P | STATUS   | SIZE     | SPEC.       | MATERIAL     | PART NO. | REV | N/P | STATUS   | PROCESS NOTES |
|----------|-----|-----|----------|----------|-------------|--------------|----------|-----|-----|----------|---------------|
| 12129846 | D1  |     | OBSOLETE | 1.07 THK | 1008-21 #2T | 15496311 02  | 12129847 | D1  |     | OBSOLETE | 2, 3 & 4      |
| UNPLATED |     |     |          |          |             | VINYL COATED |          |     |     |          |               |

|  |       |
|--|-------|
| (N/A) PROCESS SENSITIVE DIMENSION  |       |
| DIMENSIONS ENCLOSED IN ( ) INDICATE REFERENCE DIMENSIONS AND NO TOLERANCE LIMITS ARE ESTABLISHED |       |
| DIMENSIONAL RANGE (MM)   | CHART |
| FROM 0 TO 12   | > 12  |
| TOLERANCE UNLESS OTHERWISE SPECIFIED   |       |
| ±0.15  | ±0.3  |
| ANGULAR TOLERANCE #2*  |       |

|   |   |
|---|---|
| DWG TYPE<br>PART DRAWING  |   |
| STYLE   |   |
| VOLUME (QTY)  | DISTR CODE  |
|   | D   |
| UNLESS OTHERWISE SPECIFIED<br>THIS DOCUMENT IS IN ACCORDANCE WITH ASME Y14.5M-1994 AS AMENDED BY THE 3M GLOBAL DIMENSIONING AND TOLERANCING ADDENDUM-2001. SEPARATE PATTERNS OF FEATURES MAY BE BAGGED SEPARATELY REGARDLESS OF DATUM REFERENCES. |   |
| ALL DIMENSIONS ARE IN MILLIMETERS   |   |
| THIRD ANGLE PROJECTION  | DO NOT SCALE  |
|    |  |
| USE MATH DATA   |  |

|  |                    |
|--|--------------------|
| <b>DELPHI</b>  |                    |
| DELPHI PACKARD ELECTRIC SYSTEMS<br>WARREN, OH                  |                    |
| DR   | DATE               |
| APVD1 JOE SUDIK  | 10AP92             |
| APVD2 T. MUDREY  | 28AP92             |
| APVD3 A. RASCHILLA   | 29AP92             |
| APVD4  |                    |
| APVD5  |                    |
| SUBSTANCES OF CONCERN AND RECYCLED CONTENT PER DELPHI 10949001 |                    |
| MATERIAL<br>SEE CHART  |                    |
| DRAWING NAME<br>TAXI MOUN CLIP TAPE ON OVAL HOLE               |                    |
| DRAWING NUMBER<br>12129845                                     |                    |
| SIZE<br>A1   | SCALE<br>2:1       |
| FRAME NO<br>1 OF 1   | SHEET NO<br>1 OF 1 |
| STG<br>R   | REV<br>07          |
| N/P<br>-   |                    |

# Mouser Electronics

Authorized Distributor

Click to View Pricing, Inventory, Delivery & Lifecycle Information:

[Aptiv:](#)

[15496311](#)