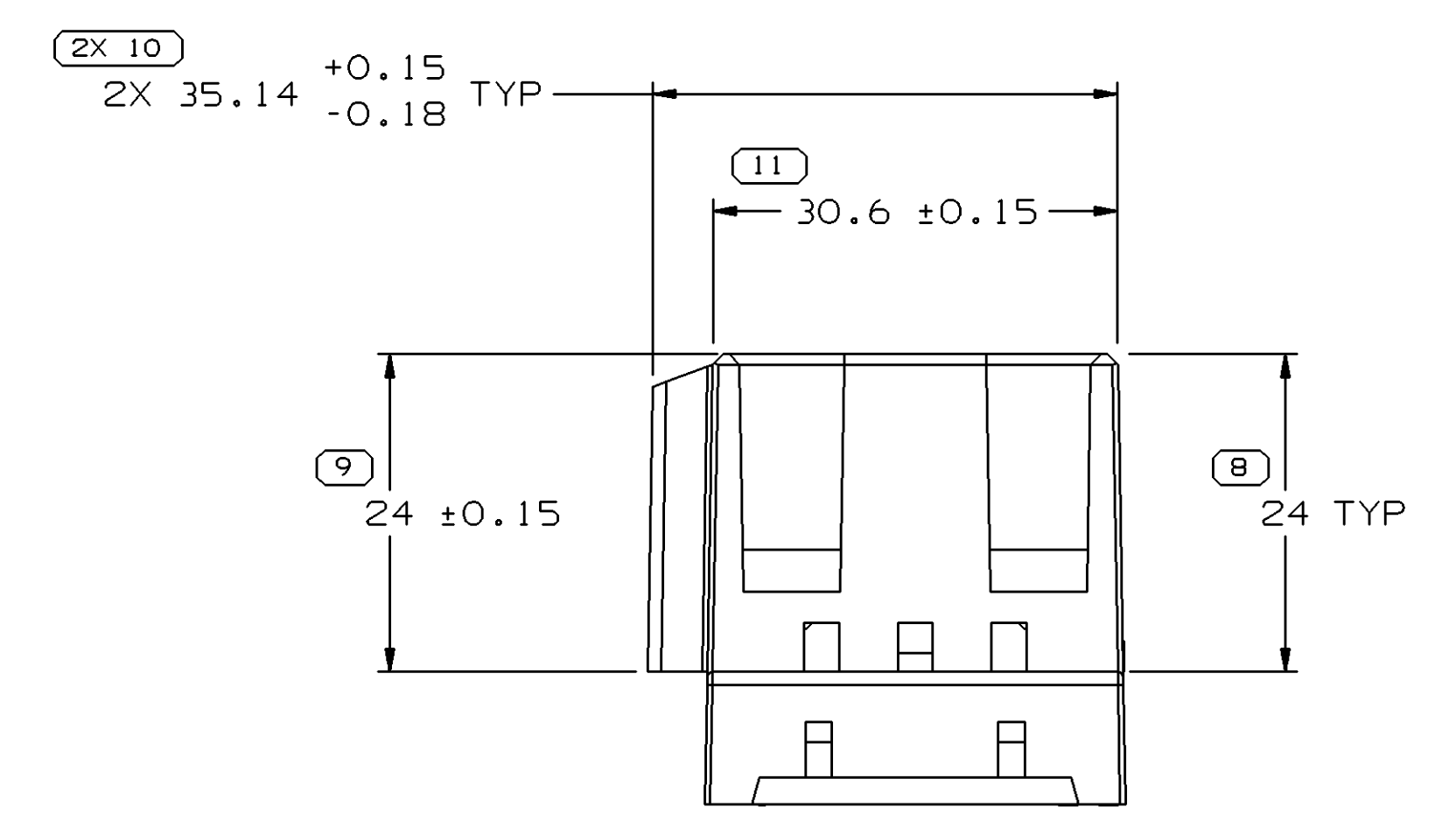
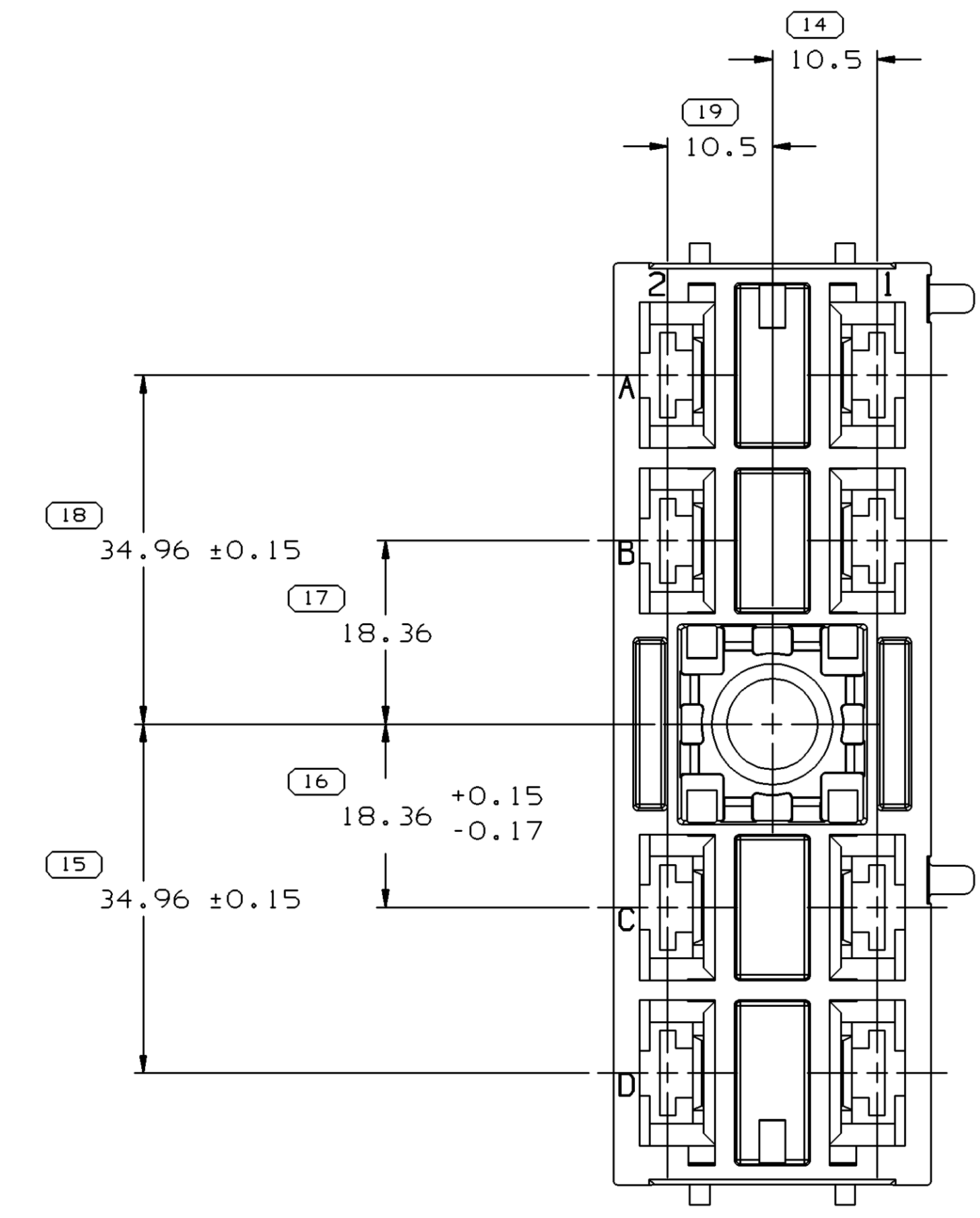
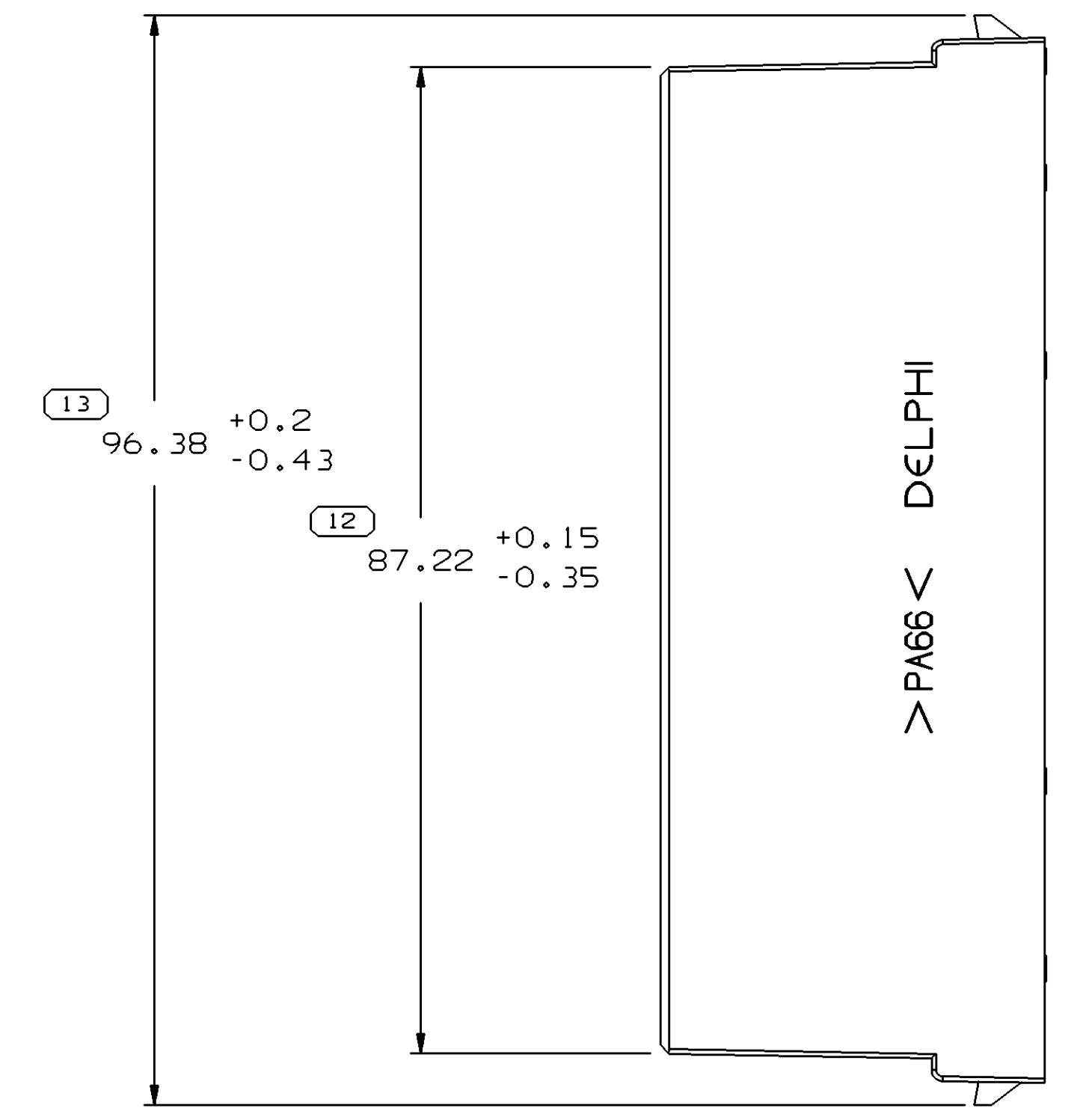
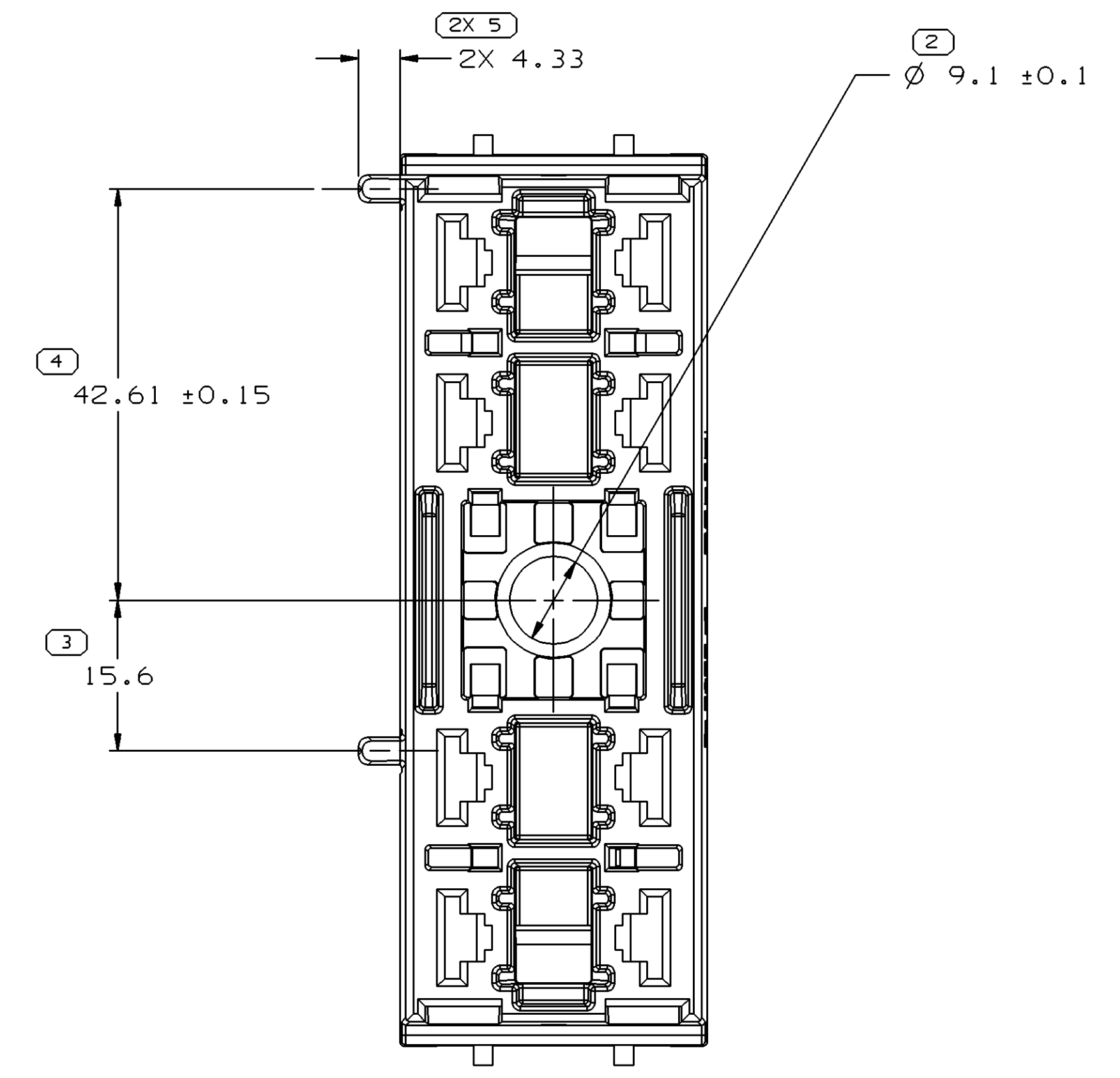
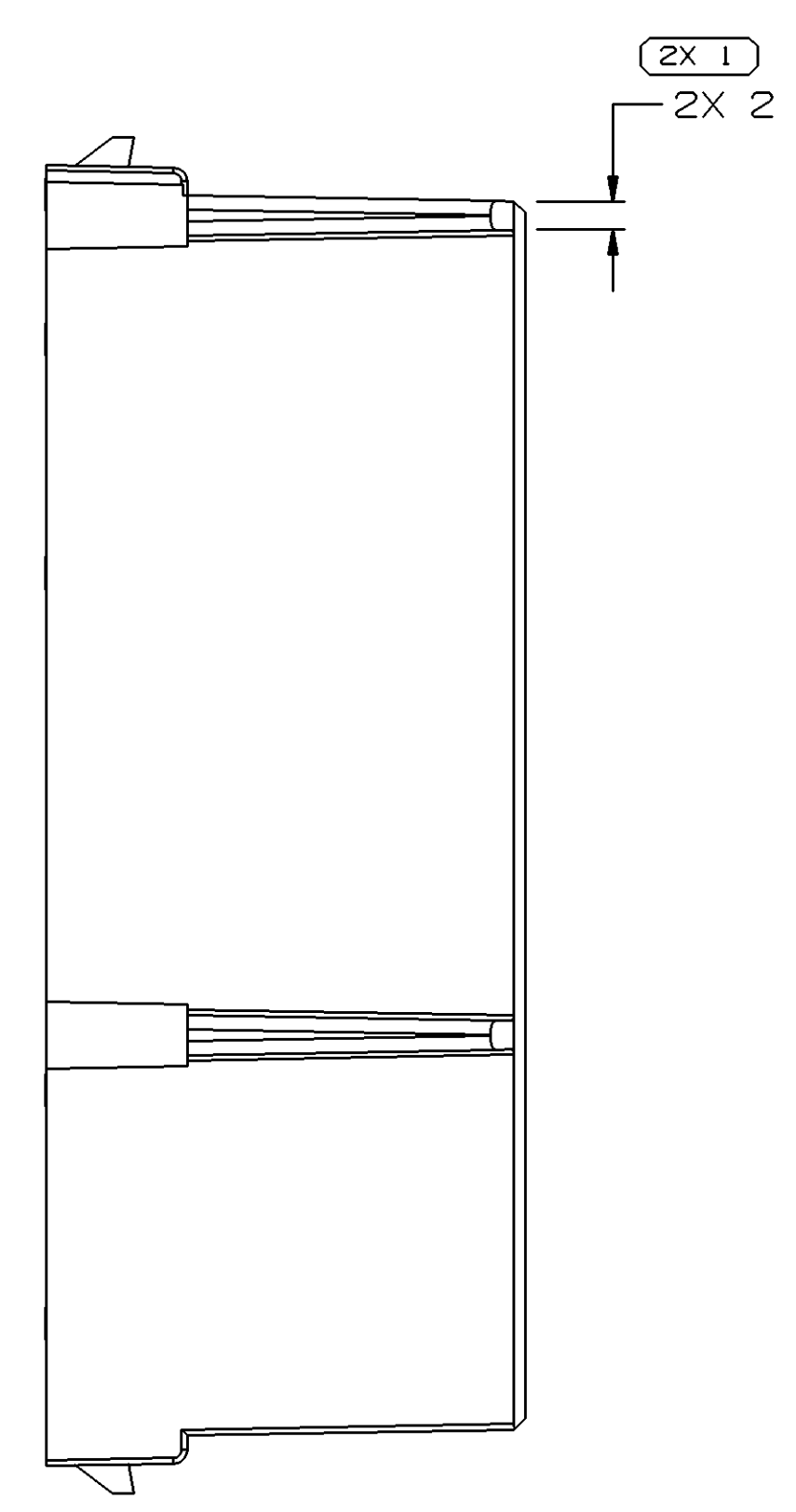
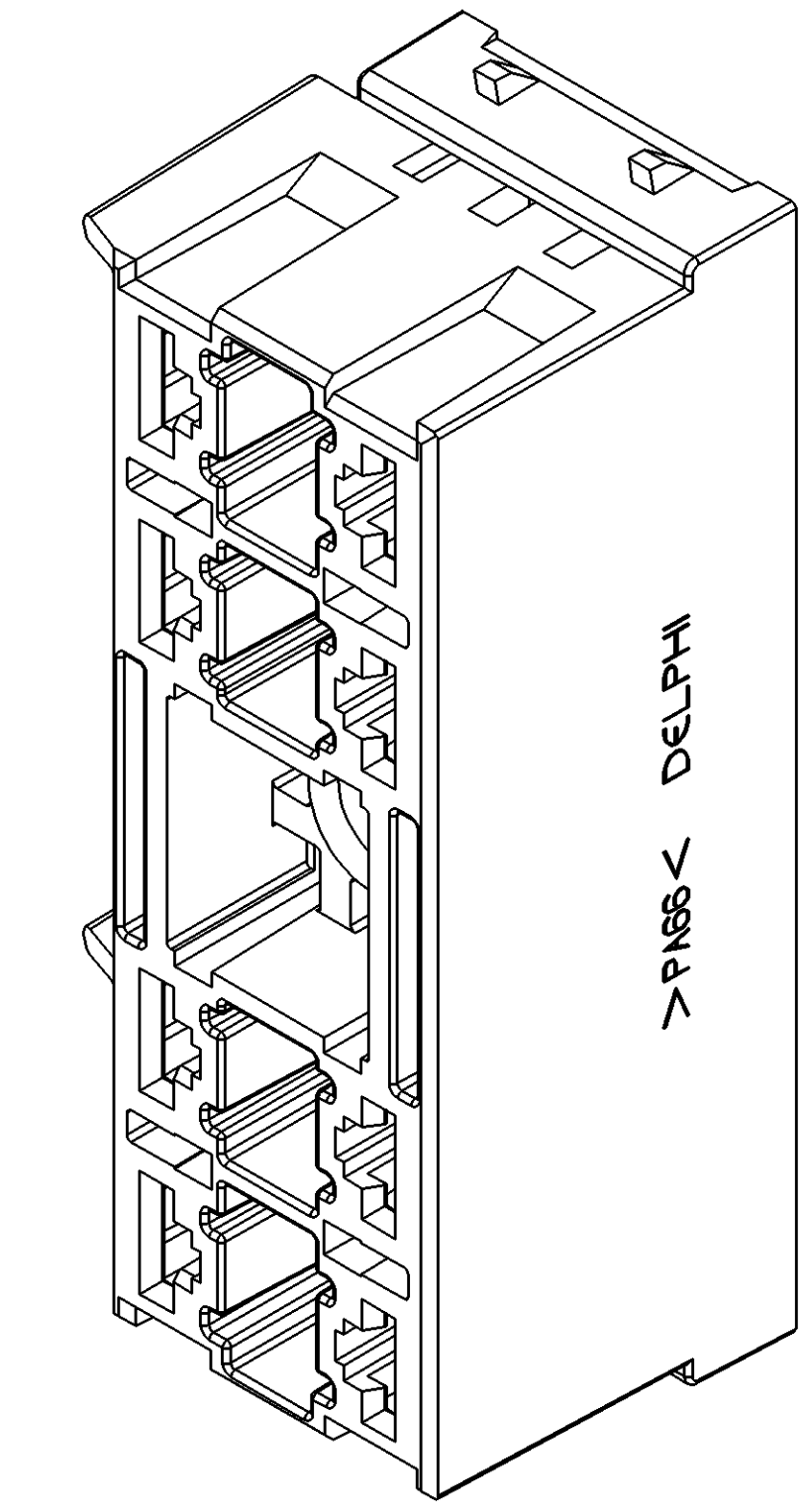
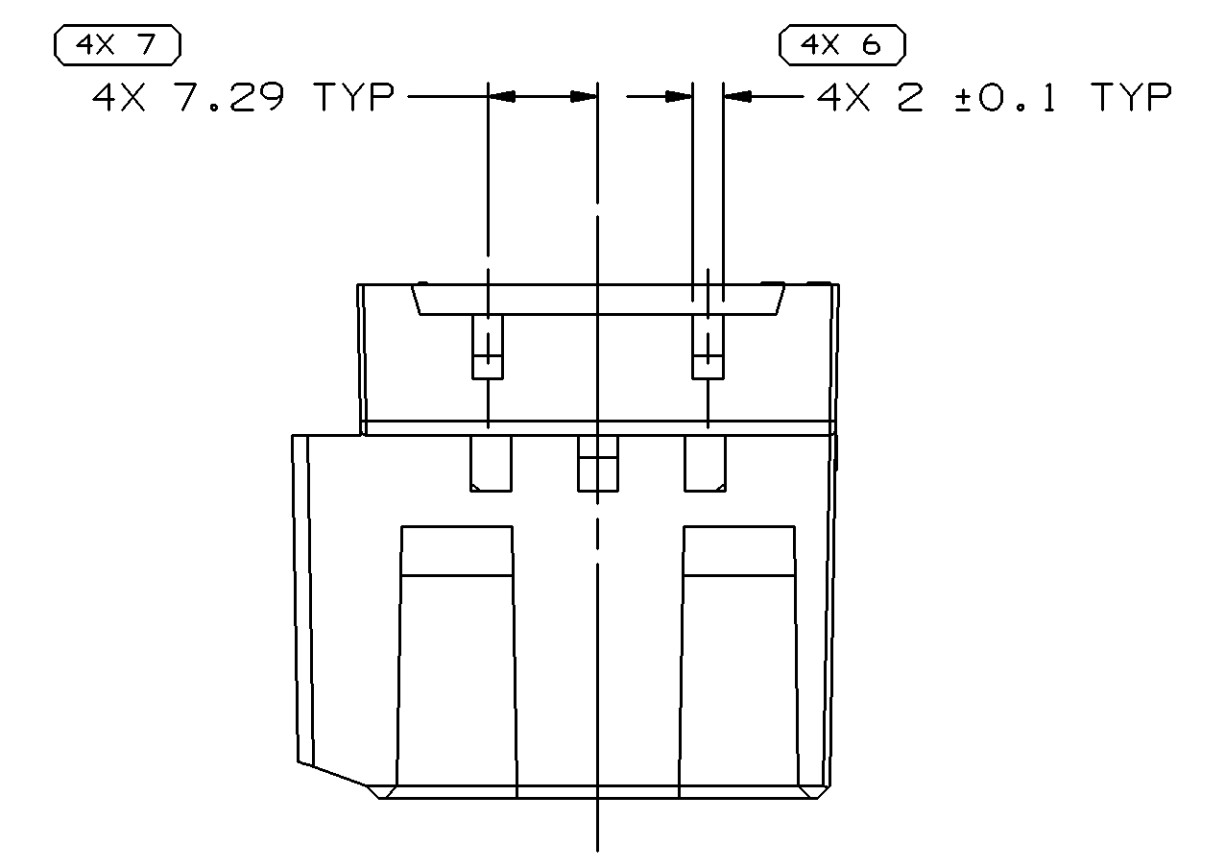


SYMBOL DEFINITION		TOTAL NO OF INSPECTIONS REQUIRED		MISSING SYMBOLS	
A DIMENSION WITHOUT AN INSPECTION REPORT SYMBOL DOES NOT REQUIRE INSPECTION. IT MAY BE CONTROLLED ON THE INDIVIDUAL COMPONENT DRAWING.		28		NO MISSING SYMBOL NUMBER	
		LAST NO. USED		19	

DWO STATUS					REVISION HISTORY			AUTH		
DATE	STG	REV	N/P	CHG				DR	APVD	APVD
30SE02	R	01	-	-	RELEASED PER EWO ALPRN			230713	END	END
11FE03	R	01	AA	-	UPDATED PDM ATTRIBUTES			235992	EOV	EOV
28AP04	R	01	AB	-	REVISED NOTE #3: CHANGED WIDTH TO 10 mm WAS 8 mm.			254509	LMB	LMB



NOTES

- UNLESS OTHERWISE SPECIFIED AND/OR INDICATED, DIMENSIONS ARE TO FACE OF VIEW SHOWN AND AUTOMATICALLY ROUNDED BY COMPUTER FOR INSPECTION. (SEE MATH MODEL FOR PRECISE DIMENSIONS.) FOR ALL OTHER DIMENSIONS NOT SHOWN BUT REQUIRED FOR TOOL BUILD, SEE MATH MODEL FOR PRECISE TOOL PATH DATA. ALL RADII 0.40 DRAFT IS 1° ON ALL OUTSIDE SURFACES LIKE CAVITIES ARE IDENTICAL LOCKING FEATURES ARE IDENTICAL
- MATING COMPONENTS OR EQUIVALENT:
TERMINAL 12065915
INSERT NUT 15319432
SECONDARY TERMINAL LOCK 15329013 (2 REQUIRED)
LOWER HOUSING 15448190
- THIS PART ACCEPTS THE FOLLOWING COMPONENTS OR EQUIVALENT:
MAX. INSULATION CRIMP MUST BE LESS THAN 5.2 HIGH AND 10.0 WIDE
MAX CABLE O.D. 4.6
- THIS PART IS USED IN ASSEMBLY 10339549 OR EQUIVALENT.
- MATERIAL RECYCLING CODE >PA66< PER SAE J1344. (2.3)X(0.1) RAISED CHARACTERS AS SHOWN TO BE LOCATED ON ANY EXTERIOR SURFACE. OPTIONAL CONSTRUCTION TO BE NO MATERIAL RECYCLING CODE.
- (2.3)X(0.1) RAISED DELPHI CORPORATE BRAND TO BE LOCATED ON ANY EXTERIOR SURFACE, PREFERABLY VISIBLE AT FINAL ASSEMBLY. OPTIONAL CONSTRUCTION TO BE "PED" OR NO LOGO.

DWO TYPE		PART DRAWING	
STYLE		2004 GMX-215/245/367/365	
VOLUME (COP)	41.230	DISTR CODE	D
ROUTING	6900		
UNLESS OTHERWISE SPECIFIED			
THIS DOCUMENT IS IN ACCORDANCE WITH ASME Y14.5M-1994 AS AMENDED BY THE 04 & 05 DIMENSIONING AND TOLERANCING ADDENDUM - 1997. ALL GEOMETRIC TOLERANCES AND RELATED SURFACE PROPERTIES SHALL BE PER ASME Y14.5M-1994 UNLESS OTHERWISE SPECIFIED.			
MATERIAL DOES NOT APPLY WHEN RELATIONSHIP BETWEEN FEATURES IS ESTABLISHED BY ORIENTATION OR LOCATION TOLERANCES. SEPARATE POSITION CALLOUTS MAY BE GAGED SEPARATELY, REGARDLESS OF DATUM REFERENCE.			
ALL DIMENSIONS ARE IN MILLIMETERS			
REFERENCE		THIRD ANGLE PROJECTION	
DO NOT SCALE		USE MATH DATA	
PROCESS SENSITIVE DIMENSION		DIMENSIONS ENCLOSED IN () INDICATE RETRIEVE DIMENSIONS AND NO TOLERANCE LIMITS ARE ESTABLISHED	
R 0.1 MAX		R 0.2 MAX	
SHARP CORNER TOLERANCE			
DIMENSIONAL RANGE (MM)		CHART ET	
FROM	> 0	> 30	> 70
TO	20	100	200
TOLERANCE (UNLESS OTHERWISE SPECIFIED)		TOLERANCE (UNLESS OTHERWISE SPECIFIED)	
±0.15 ±0.2 ±0.3 ±0.4 ±0.5 ±0.6 ±0.8 ±1 ±1.2		±0.15 ±0.2 ±0.3 ±0.4 ±0.5 ±0.6 ±0.8 ±1 ±1.2	
ANGULAR TOLERANCE 12°		ANGULAR TOLERANCE 12°	

DELPHI
DELPHI PACKARD ELECTRIC SYSTEMS
WARREN, OH

DR	E. NEAL DUNHAM	DATE	30SE02
APVD1	E. NEAL DUNHAM		30SE02
APVD2	E. NEAL DUNHAM		30SE02
APVD3	B. DAGGETT		30SE02
APVD4			
APVD5			

MATERIAL: M3592012 PA66 HS 1M GRAY LT
SUBSTANCES OF CONCERN AND RECYCLED CONTENT PER DELPHI 10949001

DRAWING NAME: CONN 8 F M/P 800 GRA LT
DRAWING NUMBER: 15447739

SIZE: A0
SCALE: 2:1
FRAME NO: 1 OF 1
SHEET NO: 1 OF 1
STG REV: R 01

Mouser Electronics

Authorized Distributor

Click to View Pricing, Inventory, Delivery & Lifecycle Information:

[Aptiv:](#)

[15447739](#)