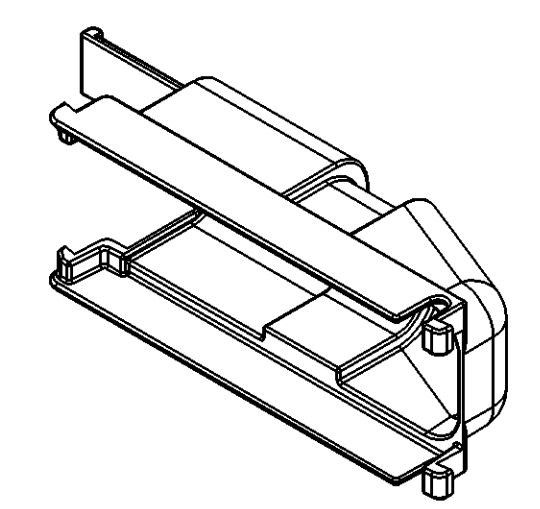
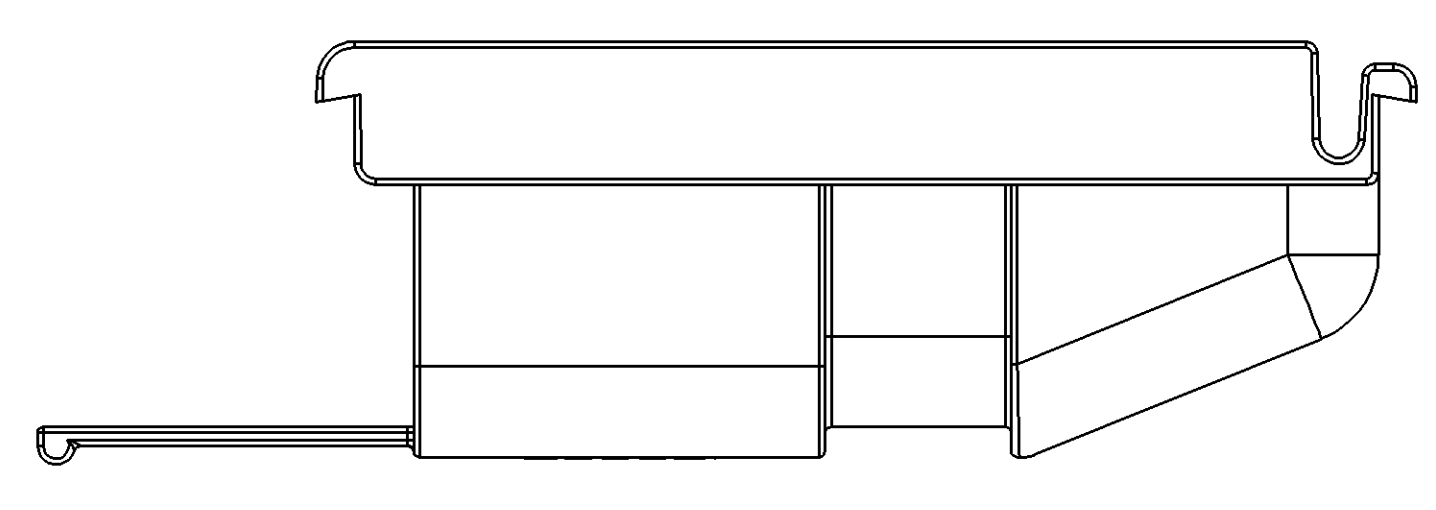
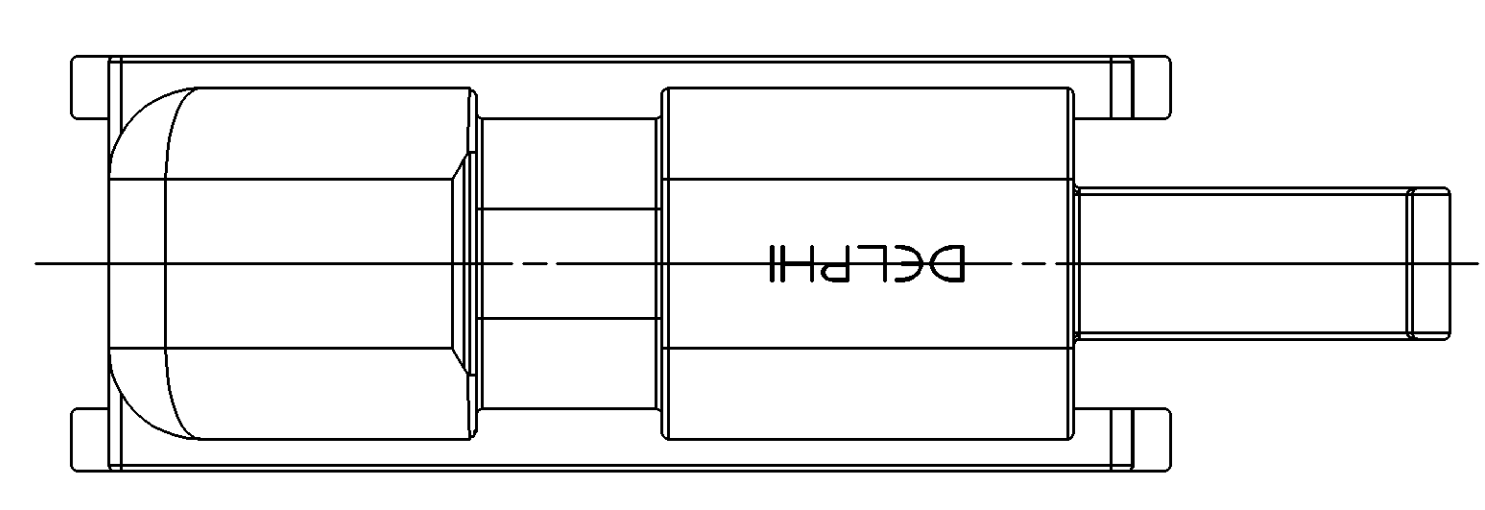
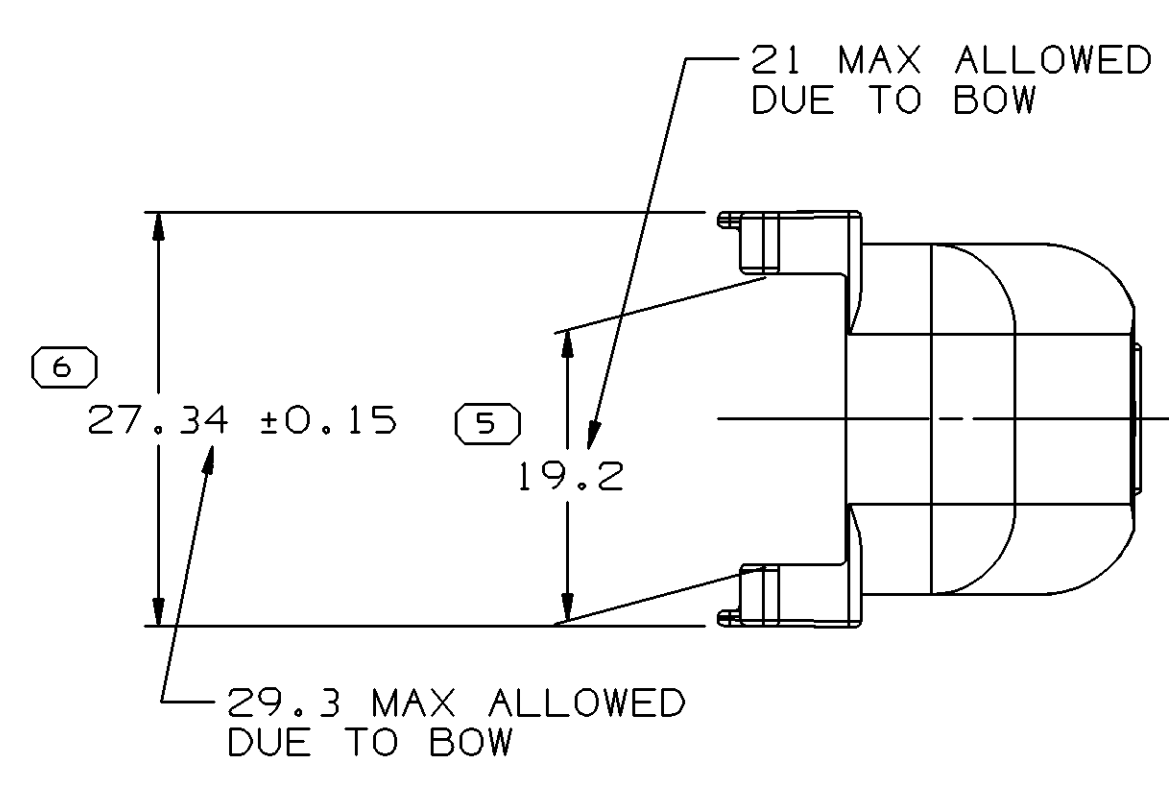
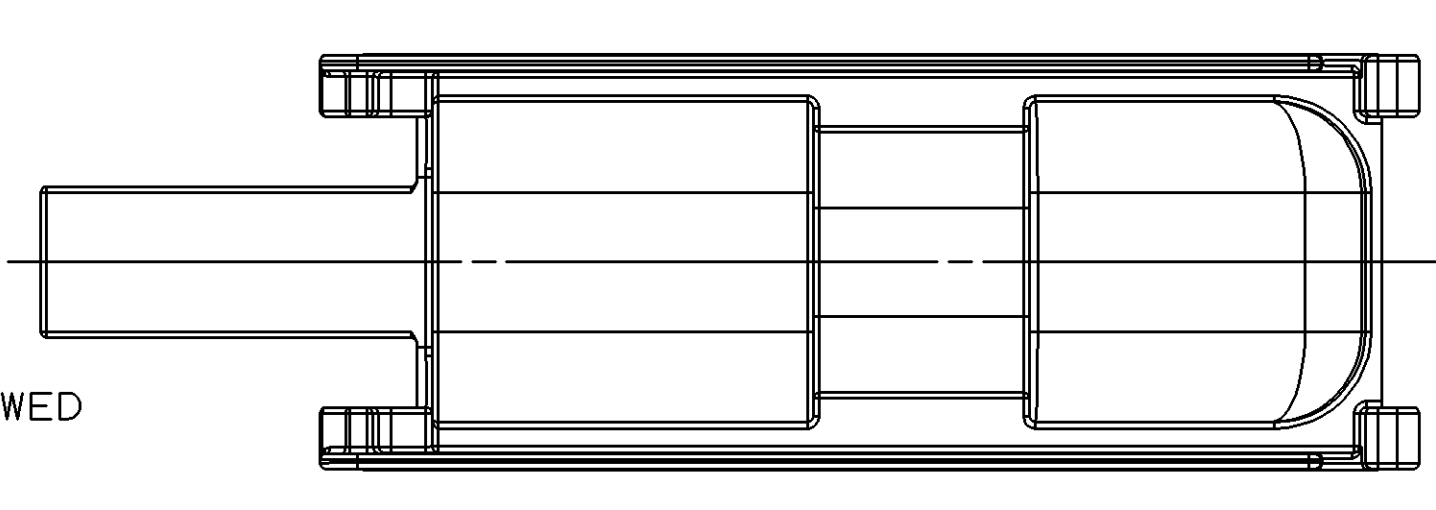
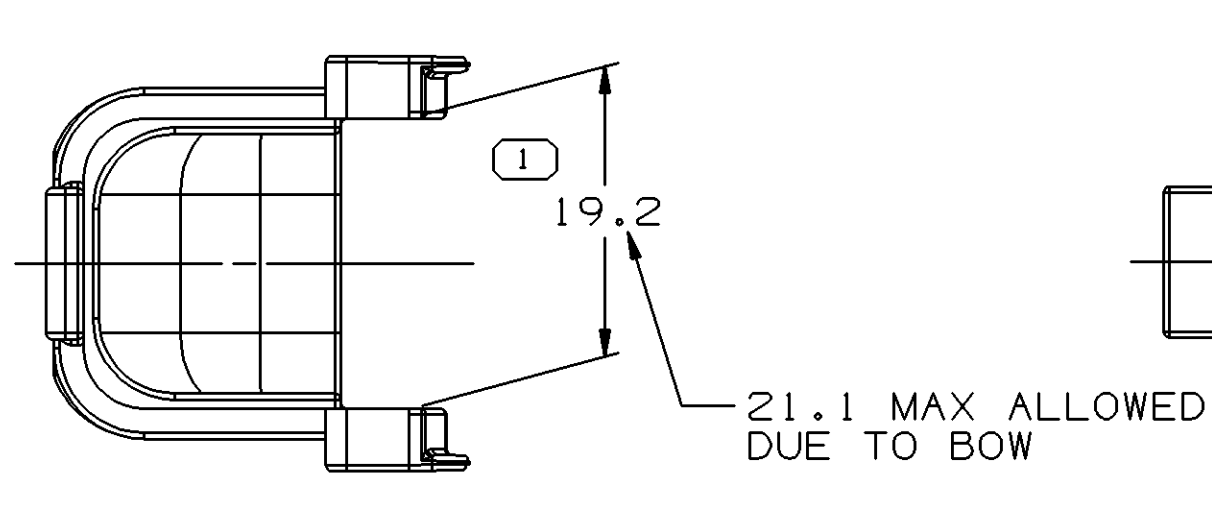
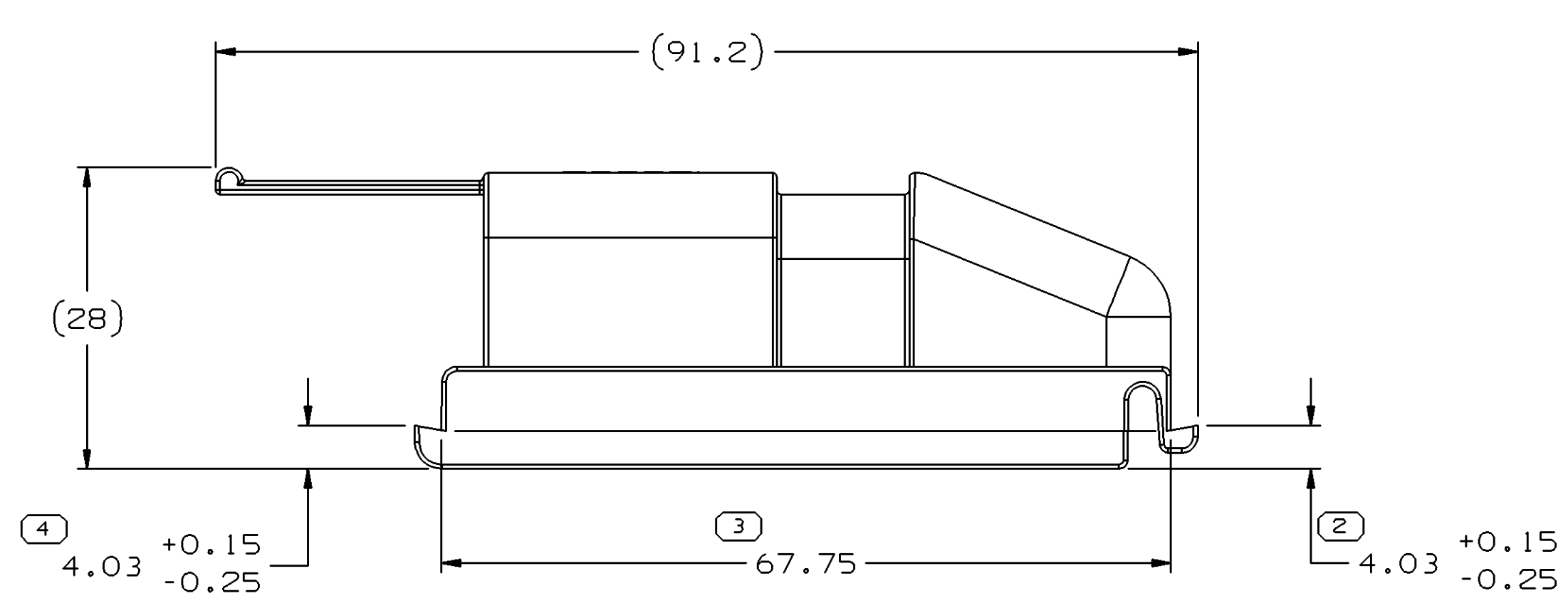


SYMBOL DEFINITION		MISSING SYMBOLS	
A DIMENSION WITHOUT AN INSPECTION REPORT SYMBOL DOES NOT REQUIRE INSPECTION. IT MAY BE CONTROLLED ON THE INDIVIDUAL COMPONENT DRAWING.	TOTAL NO OF INSPECTIONS REQUIRED	NO MISSING SYMBOL NUMBER	
	6		
	LAST NO. USED	6	

DATE	STG	REV	N/P	CHG	ZONE	REVISION HISTORY	AUTH	DR	APVD	1	2
08JL97	R	A	-	-		WAS 15326392 & RELEASED	970005	TMN	TMN	TMN	
16FE98	R	A1	-	-		REVISED	185791	JTC	FKV	FKV	M
19MY03	R	A2	-	-		ADDED BOM NOTES (3 PLCS)	241209	HAM	HAM	CF	
13JN03	R	A3	-	-		UPDATED PDM ATTRIBUTES	242377	TLD	TLD	CF	



- NOTES:
- UNLESS OTHERWISE SPECIFIED AND/OR INDICATED: DIMENSIONS ARE TO FACE OF VIEW SHOWN AND AUTOMATICALLY ROUNDED BY COMPUTER FOR INSPECTION. (SEE MATH MODEL FOR PRECISE DIMENSION) FOR ALL OTHER DIMENSIONS NOT SHOWN BUT REQUIRED FOR TOOL BUILD, SEE MATH MODEL FOR PRECISE TOOL PATH DATA.
  - MATING COMPONENTS: CONNECTOR 15326390 OR EQUIVALENT
  - MATERIAL RECYCLING CODE >PA66< PER SAE J1344. (2.1)X(0.1) RAISED CHARACTERS AS SHOWN TO BE LOCATED ON ANY EXTERIOR SURFACE. OPTIONAL CONSTRUCTION TO BE NO MATERIAL RECYCLING CODE.
  - (2.1)X(0.1) RAISED DELPHI CORPORATE BRAND TO BE LOCATED ON ANY EXTERIOR SURFACE, PREFERABLY VISIBLE AT FINAL ASSEMBLY. OPTIONAL CONSTRUCTION TO BE "PED" OR NO LOGO.

PART DRAWING	
STYLE	5,967
VOLUME (OP)	6900
ROUTING	

DELPHI	
DELPHI PACKARD ELECTRIC SYSTEMS WARREN, OH	
DR	DATE
APVD1 TOM NADASKY	08JL97
APVD2 TOM NADASKY	08JL97
APVD3 N. CHANDIRAMANI	17JL97
APVD4	
APVD5	
SUBSTANCES OF CONCERN AND RECYCLED CONTENT PER DELPHI 10949001	
MATERIAL M3592001 PA66 HS 1M-BLK	

DRAWING NUMBER	
15326587	
SIZE	SCALE
A0	2:1
FRAME NO	SHEET NO
1	1 OF 1
STG	REV
1	A3

(N/A) PROCESS SENSITIVE DIMENSION

UNLESS OTHERWISE SPECIFIED

THIS DOCUMENT IS IN ACCORDANCE WITH ASME Y14.5M-1994 AS AMENDED BY THE 2003 ADDENDUM TO ASME Y14.5M-1994 TOLERANCING ADDENDUM - 1997. ALL GEOMETRIC TOLERANCES AND RELATED DATUMS APPLY TO ALL FEATURES UNLESS OTHERWISE SPECIFIED. DIMENSIONS ARE TO FACE UNLESS OTHERWISE SPECIFIED. DIMENSIONS ARE IN MILLIMETERS.

DIMENSIONAL RANGE (MM)	TOLERANCE
FROM 0 TO 20	±0.15
20 TO 30	±0.2
30 TO 70	±0.3
70 TO 100	±0.4
100 TO 150	±0.5
150 TO 200	±0.6
200 TO 250	±0.8
250 TO 300	±1
>300	±1.2

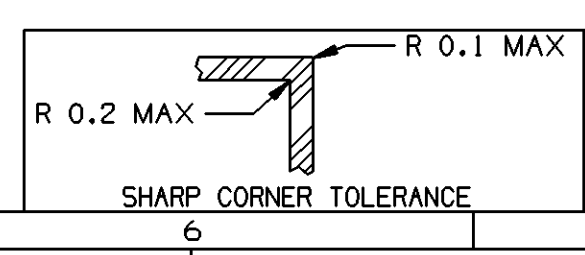
ANGULAR TOLERANCE ±2°

THIRD ANGLE PROJECTION

DO NOT SCALE

USE MATH DATA

UNSPRINGS



# Mouser Electronics

Authorized Distributor

Click to View Pricing, Inventory, Delivery & Lifecycle Information:

[Aptiv:](#)

[15326587](#)