
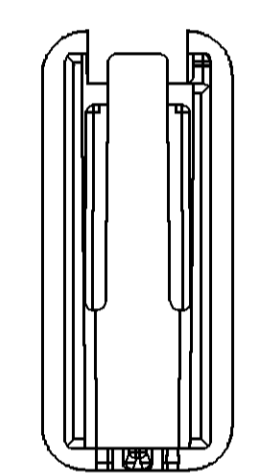
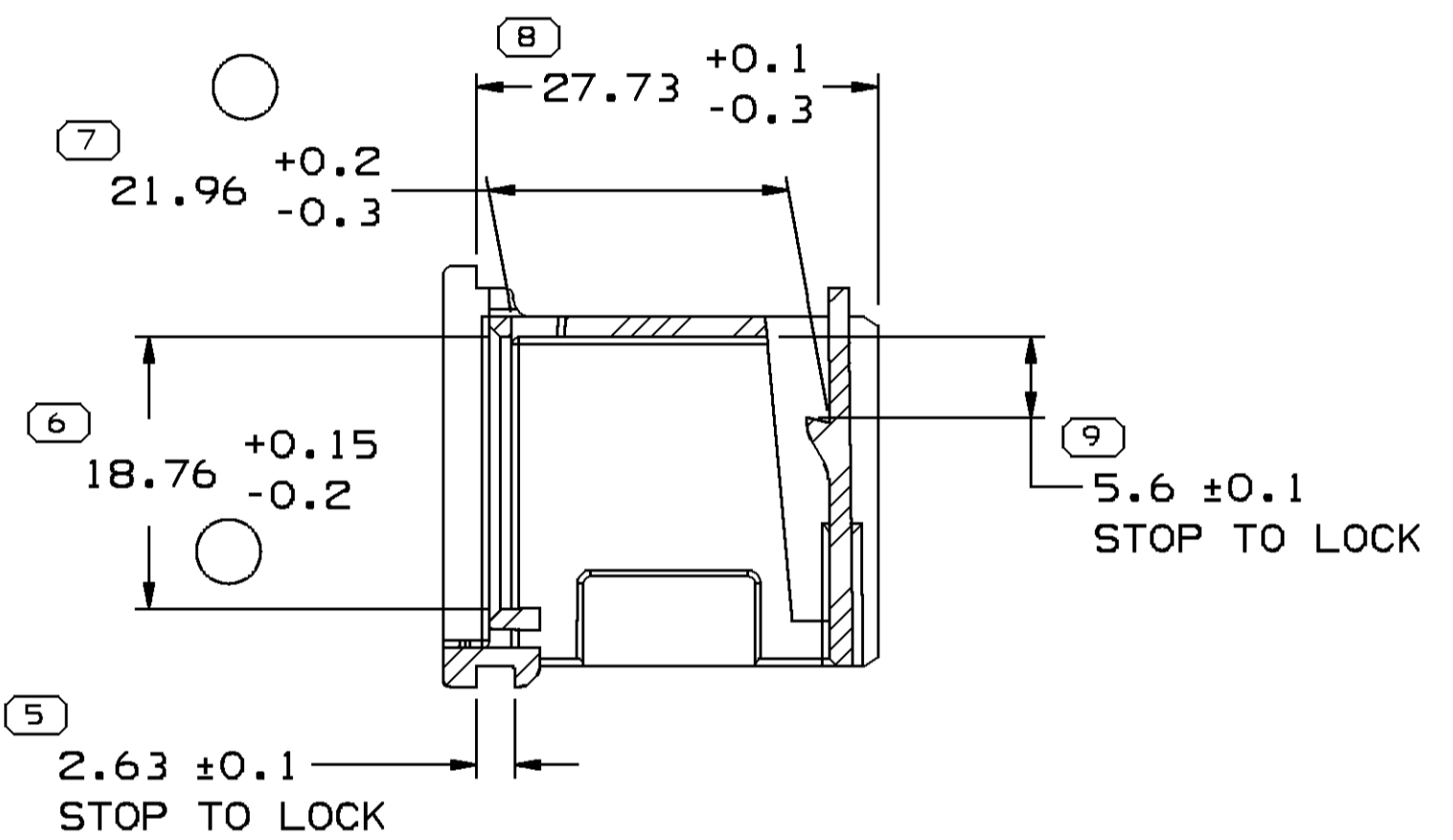
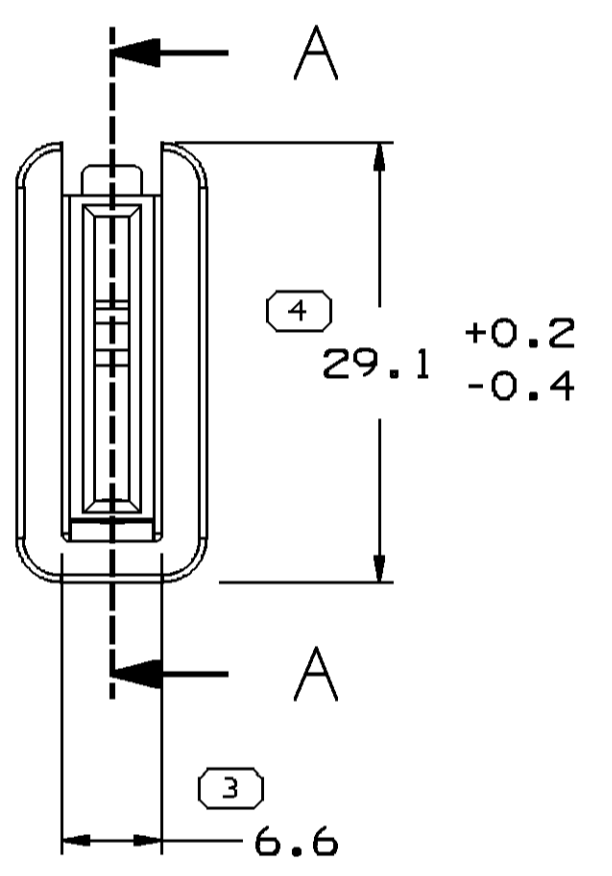
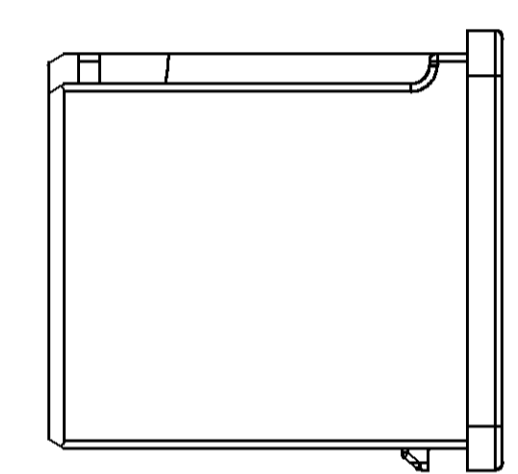
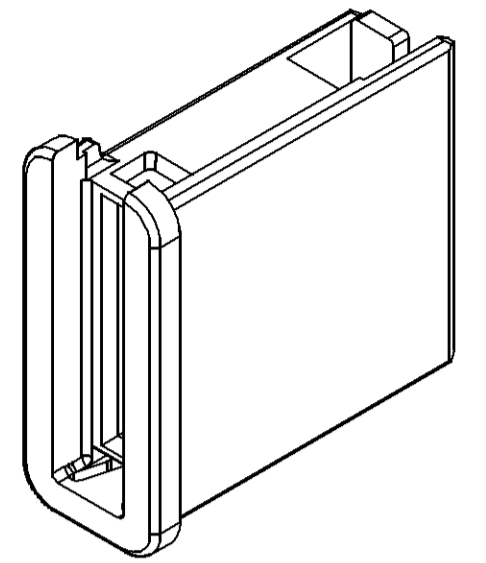
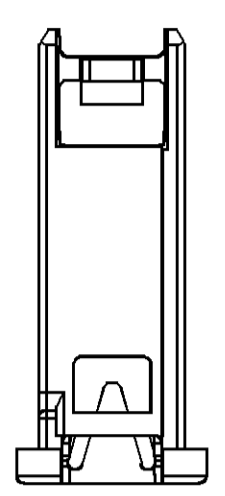
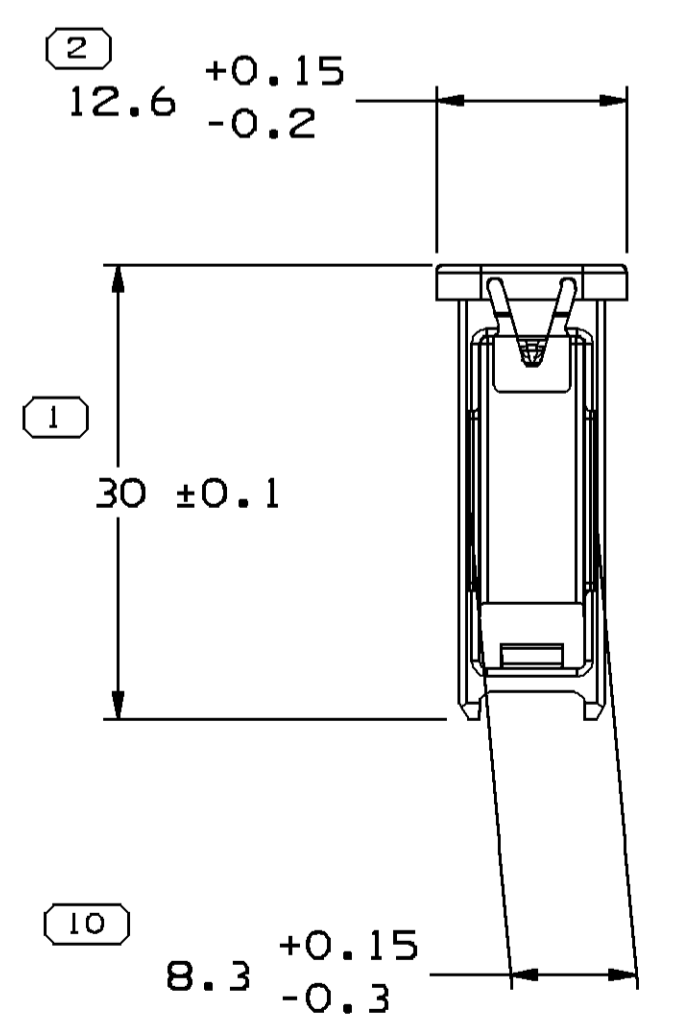


SYMBOL DEFINITION		MISSING SYMBOLS	
A DIMENSION WITHOUT AN INSPECTION REPORT SYMBOL  DOES NOT REQUIRE INSPECTION. IT MAY BE CONTROLLED ON THE INDIVIDUAL COMPONENT DRAWING.	TOTAL NO OF INSPECTIONS REQUIRED	NO MISSING SYMBOL NUMBER	10
	LAST NO. USED		10

DWG STATUS					REVISION HISTORY			AUTH	DR	APVD 1	APVD 2
DATE	STG	REV	N/P	CHG							
09AU10	R	01	-	-	WAS PE197043 AND RELEASED			411565	MAL	MAL	RJP
290C10	R	01	AA	-	12.6 +0.15/-0.2 WAS 12.6, 29.1 +0.2/-0.4 WAS 29.1, 27.73 +0.1/-0.3 WAS 27.73 ±0.1 AND 8.3 +0.15/-0.3 WAS 8.3			412445	DGL	DGL	TAM
14DE11	R	01	AB	-	18.76 +0.15/-0.2 WAS 18.76 & 21.96 +0.2/-0.3 WAS 21.96			416489	JRL	JRL	GM



SECTION A - A



NOTES

- UNLESS OTHERWISE SPECIFIED AND/OR INDICATED:
DIMENSIONS ARE TO FACE OF VIEW SHOWN AND AUTOMATICALLY ROUNDED BY COMPUTER FOR INSPECTION (SEE MATH MODEL FOR PRECISE DIMENSIONS). FOR ALL OTHER DIMENSIONS NOT SHOWN BUT REQUIRED FOR TOOL BUILD, SEE MATH MODEL FOR PRECISE TOOL PATH DATA.
- THIS PART USED IN ASSEMBLY 13832576.
- REFERENCE MATING COMPONENTS OR EQUIVALENT:
INNER CONN HOUSING 13832557
- THIS PART ACCEPTS THE FOLLOWING COMPONENTS OR EQUIVALENT:
TERMINAL ASM - 13801592
- THIS PRODUCT IS NOT CATEGORIZED AS AN APPEARANCE ITEM, MINOR IMPERFECTIONS INCLUDING, BUT NOT LIMITED TO, FLOW MARKS, COLOR BLEMISHES, GATE VESTIGE, AND SOFT FLASH THAT DO NOT AFFECT THE FIT, FORM, OR FUNCTION OF THE PART ARE PERMISSIBLE PER DPNP-4.7-CS-01.
- (1)X(0.1) DELPHI CORPORATE BRAND TO BE LOCATED ON ANY EXTERIOR SURFACE, PREFERABLY VISIBLE AT FINAL ASSEMBLY. OPTIONAL CONSTRUCTION FOR EXISTING TOOLING MAY BE "PED" OR NO LOGO.

(10) PROCESS SENSITIVE DIMENSION
DIMENSIONS ENCLOSED IN () INDICATE REFERENCE DIMENSIONS AND NO TOLERANCE LIMITS ARE ESTABLISHED

DIMENSIONAL RANGE (MM)		CHART E1	
FROM	TO	>	>
> 0	> 20	> 30	> 100
> 20	> 30	> 70	> 150
> 30	> 70	> 100	> 200
> 70	> 100	> 150	> 250
> 100	> 150	> 200	> 300
> 150	> 200	> 250	> 400

TOLERANCE UNLESS OTHERWISE SPECIFIED

±0.15	±0.2	±0.3	±0.4	±0.5	±0.6	±0.8	±1	±1.2
-------	------	------	------	------	------	------	----	------

ANGULAR TOLERANCE ±2°

DWG TYPE PART DRAWING	
STYLE	
VOLUME (CPI) 2.707	DISTR CODE D
UNLESS OTHERWISE SPECIFIED THIS DOCUMENT IS IN ACCORDANCE WITH ASME Y14.5M-1994 AS AMENDED BY THE GM GLOBAL DIMENSIONING AND TOLERANCING ADDENDUM-2001. SEPARATE PATTERNS OF FEATURES MAY BE GAGED SEPARATELY REGARDLESS OF DATUM REFERENCES.	
ALL DIMENSIONS ARE IN MILLIMETERS	
THIRD ANGLE PROJECTION	DO NOT SCALE
USE MATH DATA	NX

DELPHI
DELPHI PACKARD ELECTRICAL/ELECTRONIC ARCHITECTURE
WARREN, OH

DR	DATE
APVD1 MIGUEL DE LEON	09AU10
APVD2 MIGUEL DE LEON	09AU10
APVD3 RICHARD POLENICK	09AU10
APVD4	
APVD5	

SUBSTANCES OF CONCERN AND RECYCLED CONTENT PER DELPHI 10949001

MATERIAL
W3592008 PLAS PA66 HS IM BLU

DRAWING NAME
LOCK TERM LK RETAINER

DRAWING NUMBER
13832558

SIZE A1	SCALE 2:1	FRAME NO 1 OF 1	SHEET NO 1 OF 1	STG R	REV 01	N/P AB
------------	--------------	--------------------	--------------------	----------	-----------	-----------

Mouser Electronics

Authorized Distributor

Click to View Pricing, Inventory, Delivery & Lifecycle Information:

[Aptiv:](#)

[13832558](#)