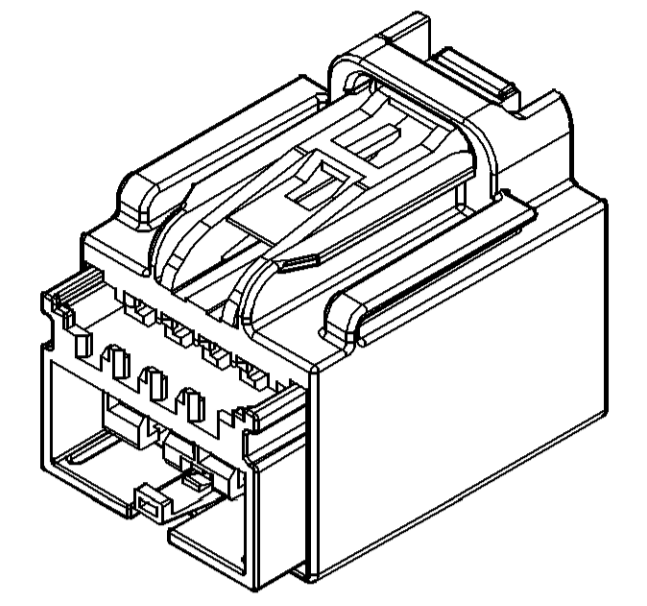
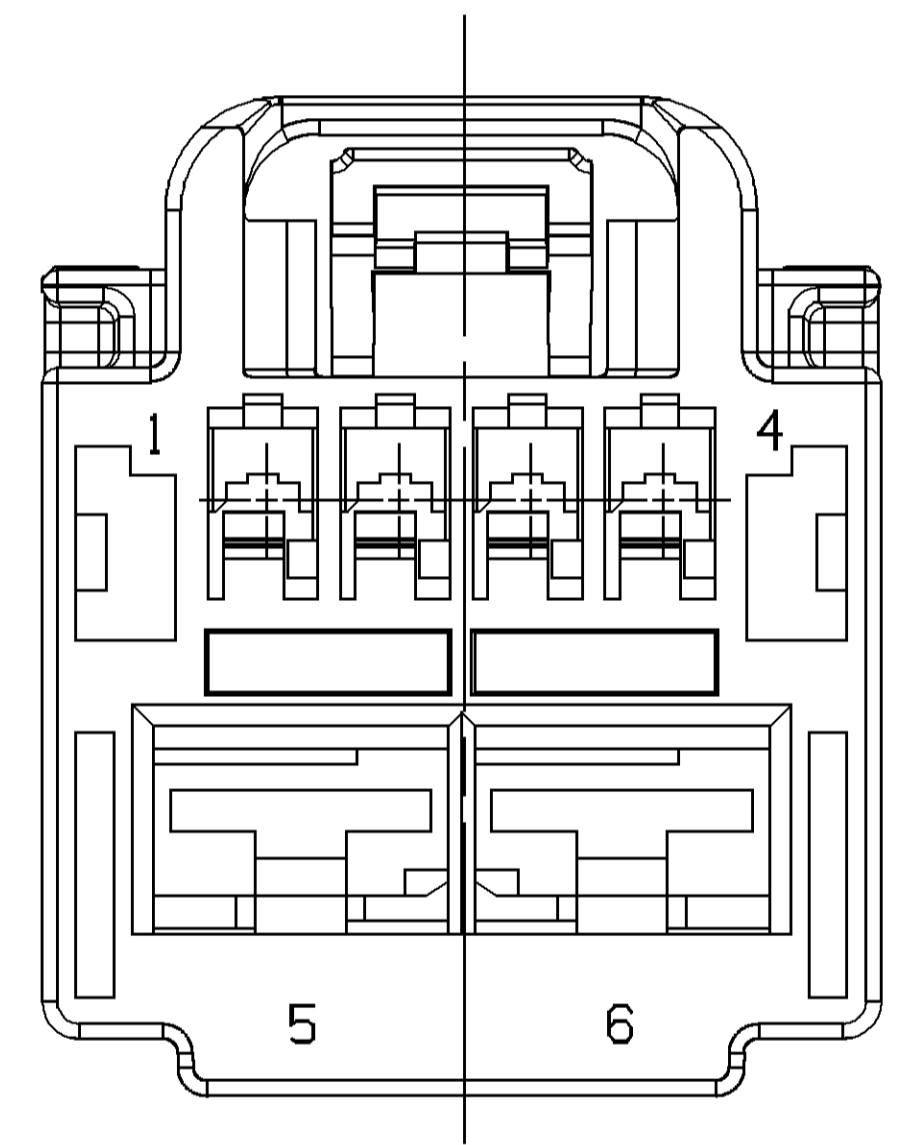
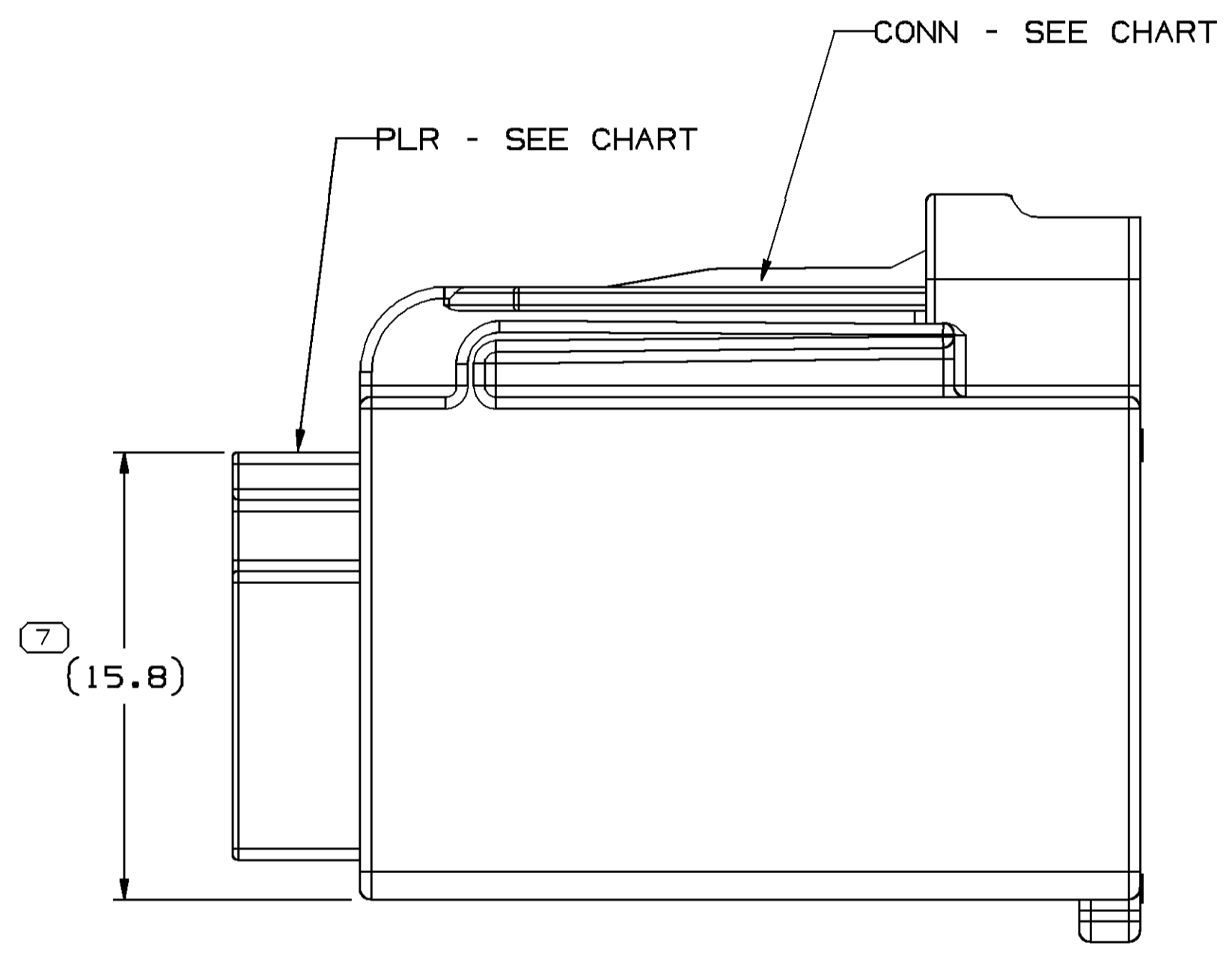
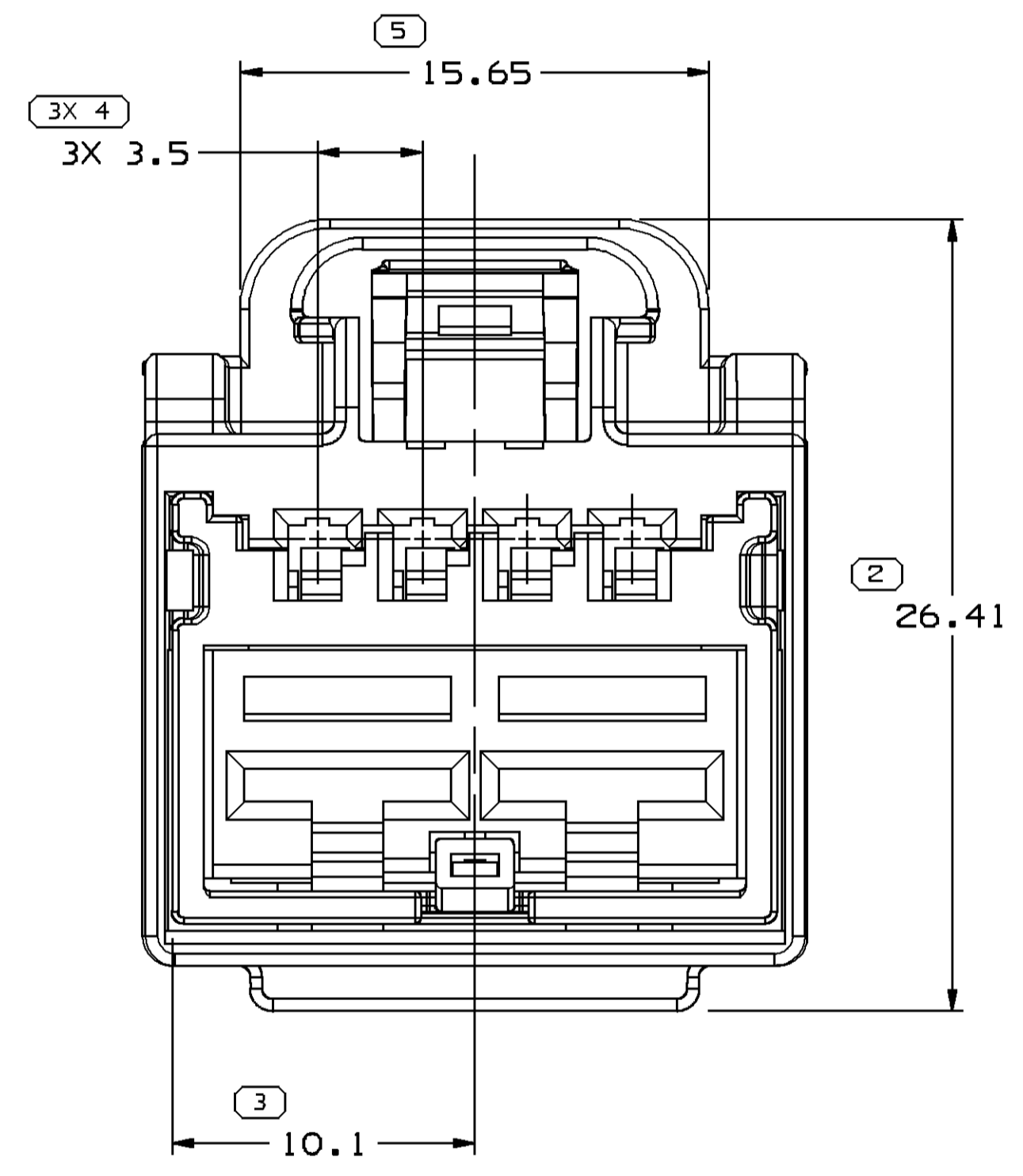


SYMBOL DEFINITION		MISSING SYMBOLS	
A DIMENSION WITHOUT AN INSPECTION REPORT SYMBOL DOES NOT REQUIRE INSPECTION. IT MAY BE CONTROLLED ON THE INDIVIDUAL COMPONENT DRAWING.	TOTAL NO OF INSPECTIONS REQUIRED	9	6
	LAST NO. USED	8	

DWG STATUS				REVISION HISTORY				AUTH					
DATE	STG	REV	N/P	CHG	ZONE								
31AU09	R	02	-	-		RELEASED			408791	DMC	DMC	MSM	
01SE09	R	02	AA	-		UPDATED CONNECTOR			408825	DMC	DMC	MSM	
03SE09	R	02	AB	-		UPDATED CONNECTOR			408851	MSM	MSM	MSM	
230C09	R	02	AC	-		UPDATED GRAPHICS			409318	MSM	MSM	MSM	
14JA10	R	02	AD	-		(15.8) WAS (16.32)			409733	FRE	FRE	MSM	
12SE11	R	02	AE	-		ADDED (4.5) PRE-STAGE & PLR CLOSING FORCE NOTE & REMOVED DIM (1 PLC)			415423	MMC	JRL	MMC	
21FE12	R	03	-	-		REVISED GRAPHICS			417193	IRM	MMC	IRM	
17AP12	R	03	AA	-		UPDATED NOTE 4			417800	IRM	MMC	IRM	



SCALE 2:1



NOTES

- UNLESS OTHERWISE SPECIFIED AND/OR INDICATED:
DIMENSIONS ARE TO FACE OF VIEW SHOWN AND AUTOMATICALLY ROUNDED BY COMPUTER FOR INSPECTION (SEE MATH MODEL FOR PRECISE DIMENSIONS). FOR ALL OTHER DIMENSIONS NOT SHOWN BUT REQUIRED FOR TOOL BUILD, SEE MATH MODEL FOR PRECISE TOOL PATH DATA.
- THIS PRODUCT IS NOT CATEGORIZED AS AN APPEARANCE ITEM, MINOR IMPERFECTIONS INCLUDING, BUT NOT LIMITED TO, FLOW MARKS, COLOR BLEMISHES, GATE VESTIGE, AND SOFT FLASH THAT DO NOT AFFECT THE FIT, FORM, OR FUNCTION OF THE PART ARE PERMISSIBLE PER DPNP-4.7-CS-01.
- FOR APPLICATION DATA SEE THE APPLICATION DRAWING.
- MAXIMUM FORCE TO CLOSE PLR WITH FULLY POPULATED CONNECTOR IS $X \leq 110N$. MINIMUM FORCE TO CLOSE PLR WITH ONE IMPROPERLY ASSEMBLED TERMINAL IS $X \leq 30N$.

PART NO	CONN	PLR
13782000	13782001	13782002

DIMENSIONAL RANGE (MM)		CHART E1	
FROM	> 0	> 20	> 300
TO	20	30	400
TOLERANCE UNLESS OTHERWISE SPECIFIED			
	± 0.15	± 0.2	± 0.3
	± 0.4	± 0.5	± 0.6
	± 0.8	± 1	± 1.2
ANGULAR TOLERANCE $\pm 2^\circ$			

DWG TYPE	
PART DRAWING	
STYLE	
VOLUME (C/P)	DISTR CODE
	D
UNLESS OTHERWISE SPECIFIED	
THIS DOCUMENT IS IN ACCORDANCE WITH ASME Y14.5M-1994 AS AMENDED BY THE GM GLOBAL DIMENSIONING AND TOLERANCING ADDENDUM-2001. SEPARATE PATTERNS OF FEATURES MAY BE GAGED SEPARATELY REGARDLESS OF DATUM REFERENCES.	
ALL DIMENSIONS ARE IN MILLIMETERS	
REFERENCE	

THIRD ANGLE PROJECTION		DO NOT SCALE	
USE MATH DATA		NX	

DELPHI
DELPHI PACKARD ELECTRICAL/ELECTRONIC ARCHITECTURE
WARREN, OH

DR	DATE
APVD1 D. MUNOZ	31AU09
APVD2 D. MUNOZ	31AU09
APVD3 MYRNA SAID	01SE09
APVD4	
APVD5	

UNLESS OTHERWISE SPECIFIED
SUBSTANCES OF CONCERN AND RECYCLED CONTENT PER DELPHI 10949001

MATERIAL
SEE CHART

DRAWING NAME
ASM CONN 6 F 6.3 OCS 1.5

DRAWING NUMBER
13782000

SIZE	SCALE	FRAME NO	SHEET NO	STG	REV	N/P
A1	5:1	1 OF 1	1 OF 1	R	03	AA

Mouser Electronics

Authorized Distributor

Click to View Pricing, Inventory, Delivery & Lifecycle Information:

[Aptiv:](#)
[13782000](#)