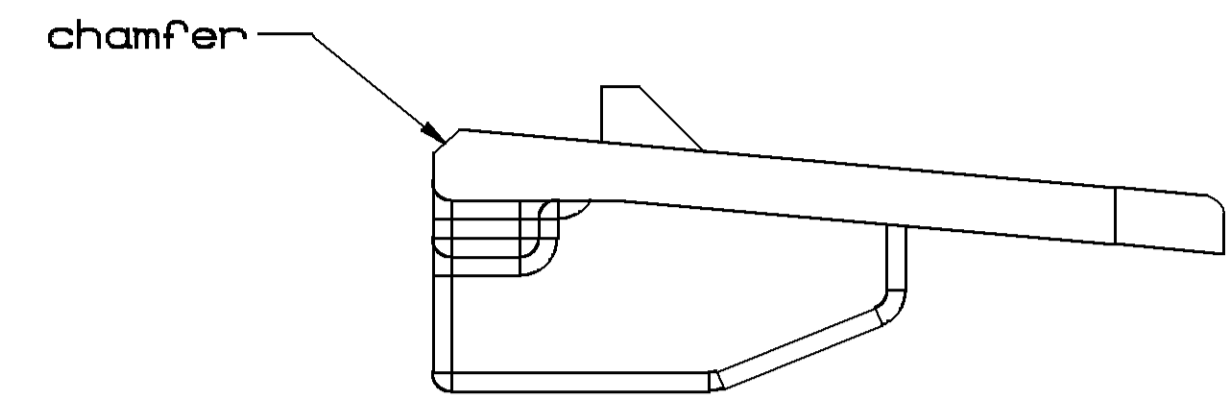
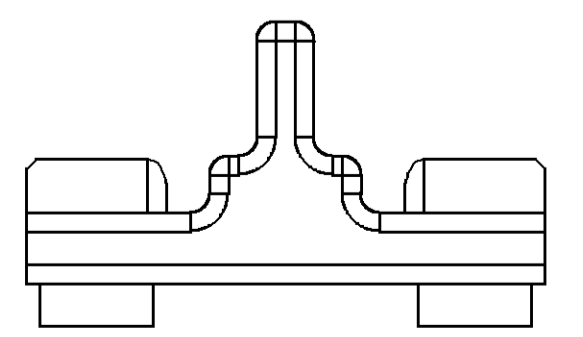
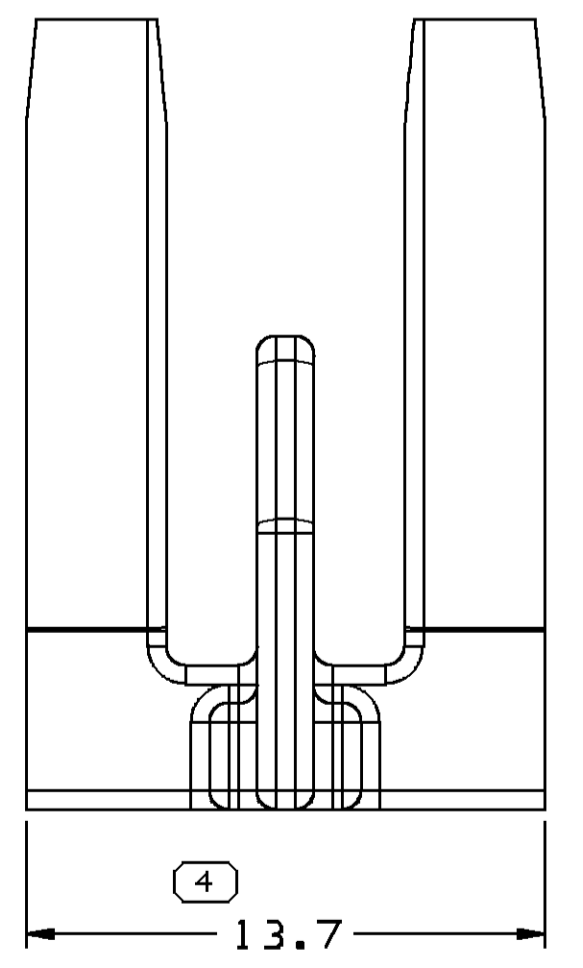
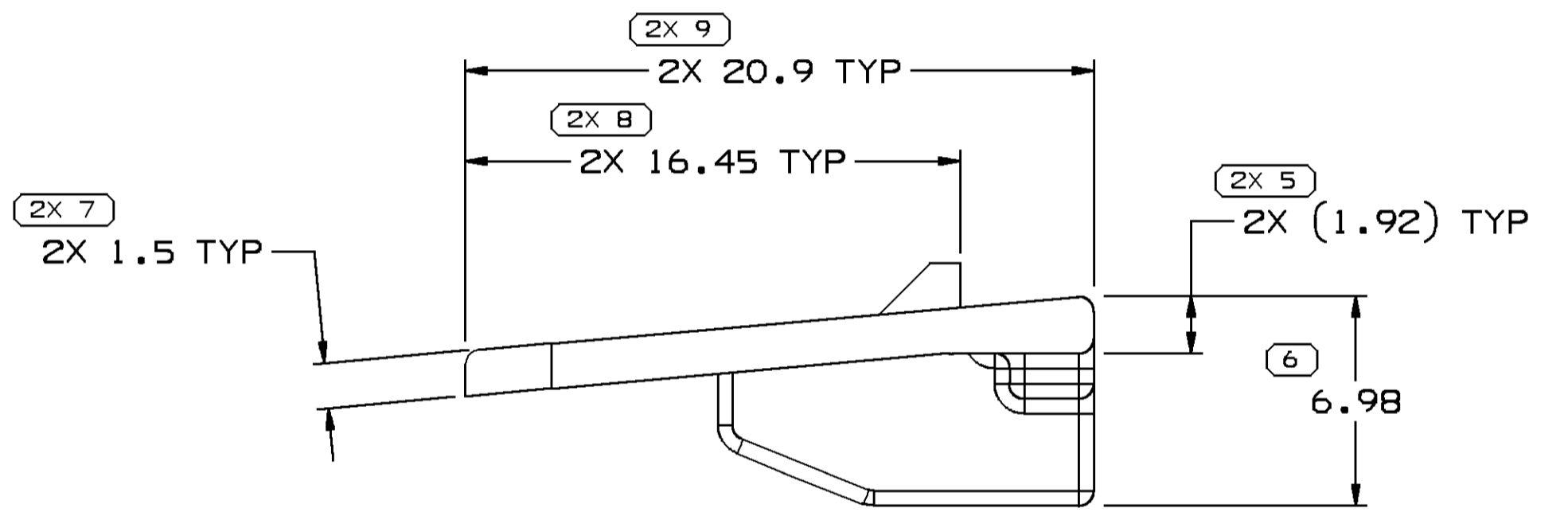
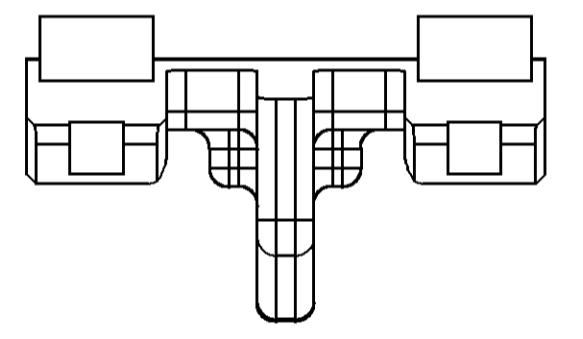
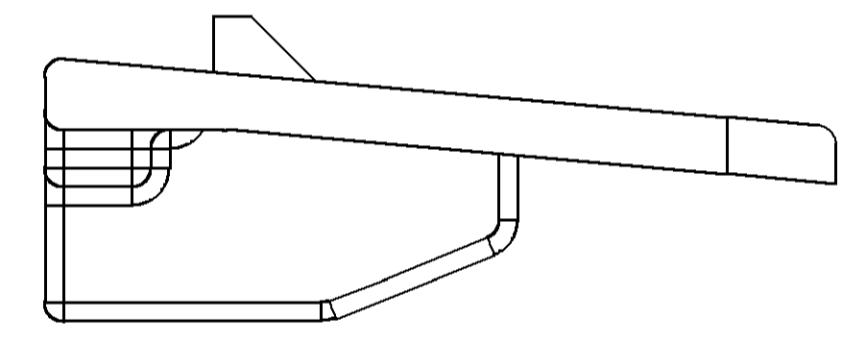
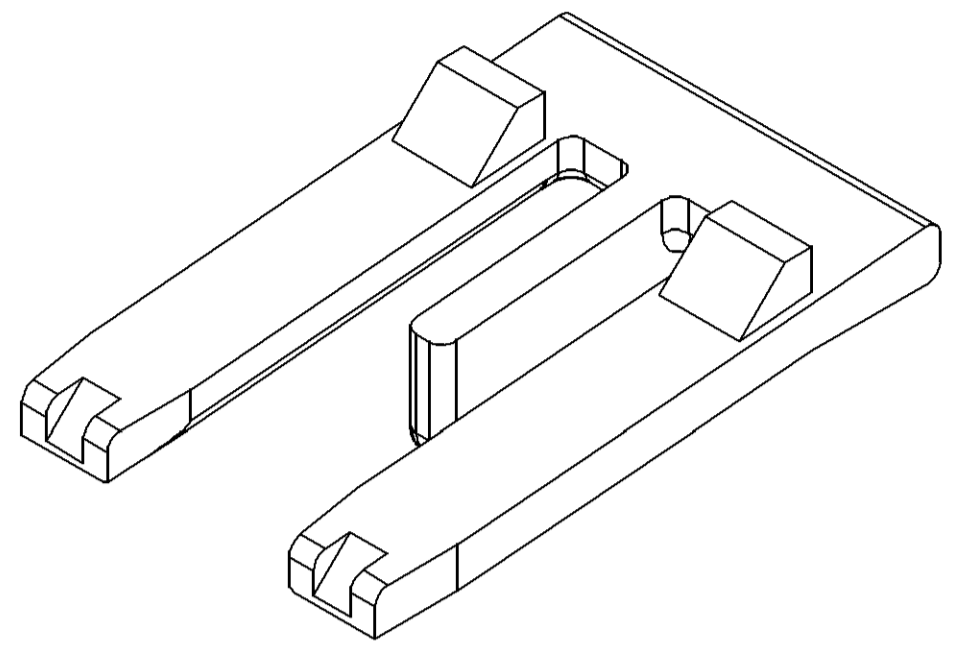
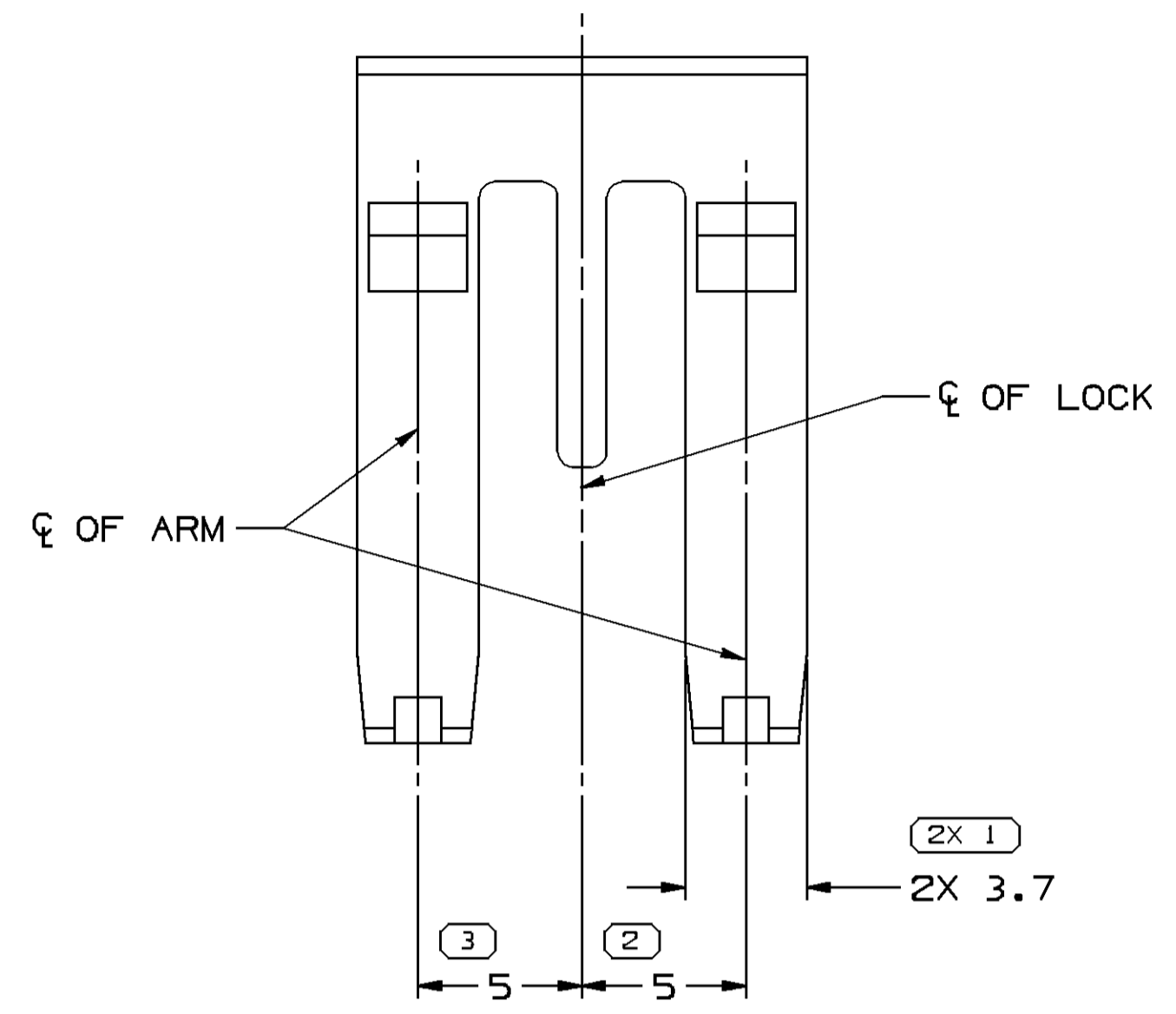


SYMBOL DEFINITION		MISSING SYMBOLS	
A DIMENSION WITHOUT AN INSPECTION REPORT SYMBOL DOES NOT REQUIRE INSPECTION. IT MAY BE CONTROLLED ON THE INDIVIDUAL COMPONENT DRAWING.	TOTAL NO OF INSPECTIONS REQUIRED	NO MISSING SYMBOL NUMBER	
	14		
	LAST NO. USED		
	9		

DWG STATUS				REVISION HISTORY			AUTH	DR	APVD1	APVD2
DATE	STG	REV	N/P	CHG	ZONE					
13MR09	R	02	-	-		WAS PE18072B: REVISED AND RELEASED AT REV 02	406604	ES	ES	RL
07JA10	R	02	AA	-		ADDED OPTIONAL CONSTRUCTION	409719	GEM	GEM	GEM
10JN10	R	02	AB	-		ADDED TPA CLOSING FORCE NOTE	411063	AJP	JAA	JN



OPTIONAL CONSTRUCTION



NOTES

- UNLESS OTHERWISE SPECIFIED AND/OR INDICATED:
DIMENSIONS ARE TO FACE OF VIEW SHOWN AND AUTOMATICALLY ROUNDED BY COMPUTER FOR INSPECTION (SEE MATH MODEL FOR PRECISE DIMENSIONS). FOR ALL OTHER DIMENSIONS NOT SHOWN BUT REQUIRED FOR TOOL BUILD, SEE MATH MODEL FOR PRECISE TOOL PATH DATA.
- THIS PART ACCEPTS THE FOLLOWING COMPONENTS OR EQUIVALENT:
CONNECTOR 13737754
- WHEN USING MATING COMPONENT OR EQUIVALENT - TPA CLOSING FORCE WITH CORRECT ASSEMBLED TERMINALS IS < 75 N
- THIS PRODUCT IS NOT CATEGORIZED AS AN APPEARANCE ITEM, MINOR IMPERFECTIONS INCLUDING, BUT NOT LIMITED TO, FLOW MARKS, COLOR BLEMISHES, GATE VESTIGE, AND SOFT FLASH THAT DO NOT AFFECT THE FIT, FORM, OR FUNCTION OF THE PART ARE PERMISSIBLE PER DPNP-4.7-CS-01.

DWG TYPE PART DRAWING	
STYLE	
VOLUME (CPI) 0.403	DISTR CODE D
UNLESS OTHERWISE SPECIFIED THIS DOCUMENT IS IN ACCORDANCE WITH ASME Y14.5M-1994 AS AMENDED BY THE GM GLOBAL DIMENSIONING AND TOLERANCING ADDENDUM-2001. SEPARATE PATTERNS OF FEATURES MAY BE GAGED SEPARATELY REGARDLESS OF DATUM REFERENCES.	
ALL DIMENSIONS ARE IN MILLIMETERS	
REFERENCE	

DELPHI
DELPHI PACKARD ELECTRICAL/ELECTRONIC ARCHITECTURE
WARREN, OH

DR	DATE
APVD1 E. SHASTEEN	300C08
APVD2 E. SHASTEEN	300C08
APVD3 J. GLADD	300C08
APVD4	
APVD5	

SUBSTANCES OF CONCERN AND RECYCLED CONTENT PER DELPHI 10949001

MATERIAL
POLYAMIDE COMPOUND BLU

DRAWING NAME
LOCK SECONDARY TPA M/P

DRAWING NUMBER
13737752

SIZE	SCALE	FRAME NO	SHEET NO	STG	REV	N/P
A1	5:1	1 OF 1	1 OF 1	R	02	AB

DIMENSIONAL RANGE (MM)		CHART E1	
FROM	> 0	> 20	> 300
TO	20	30	400
TOLERANCE UNLESS OTHERWISE SPECIFIED			
	±0.15	±0.2	±0.3
	±0.4	±0.5	±0.6
	±0.8	±1	±1.2
ANGULAR TOLERANCE ±2°			

THIRD ANGLE PROJECTION

DO NOT SCALE

USE MATH DATA

Mouser Electronics

Authorized Distributor

Click to View Pricing, Inventory, Delivery & Lifecycle Information:

[Aptiv:](#)

[13737752](#)