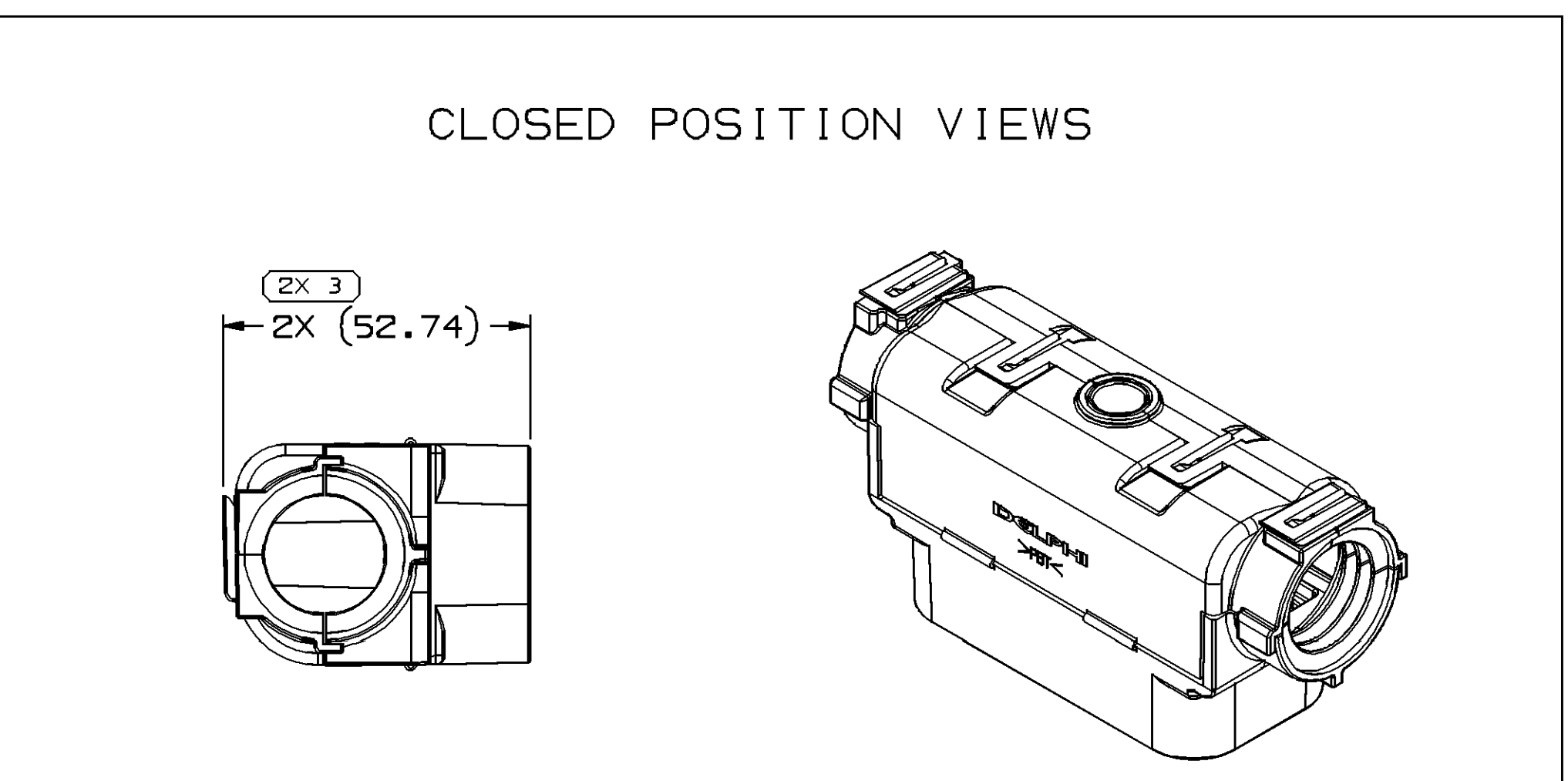
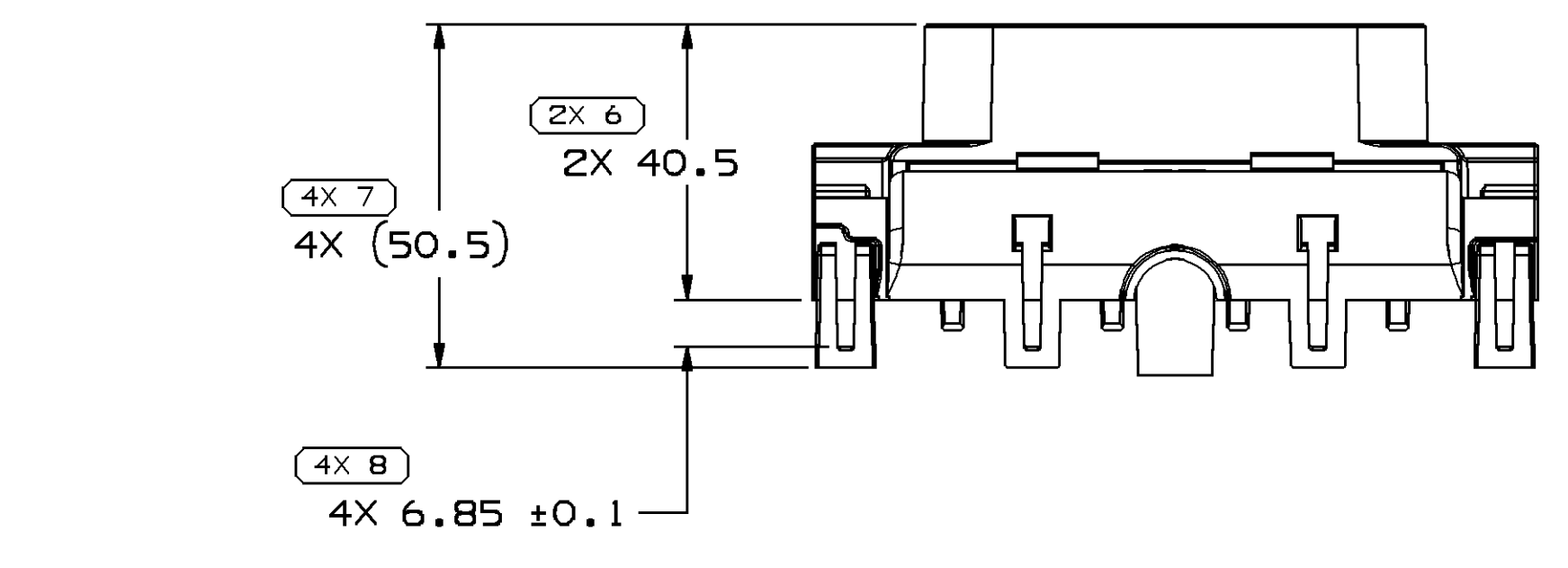
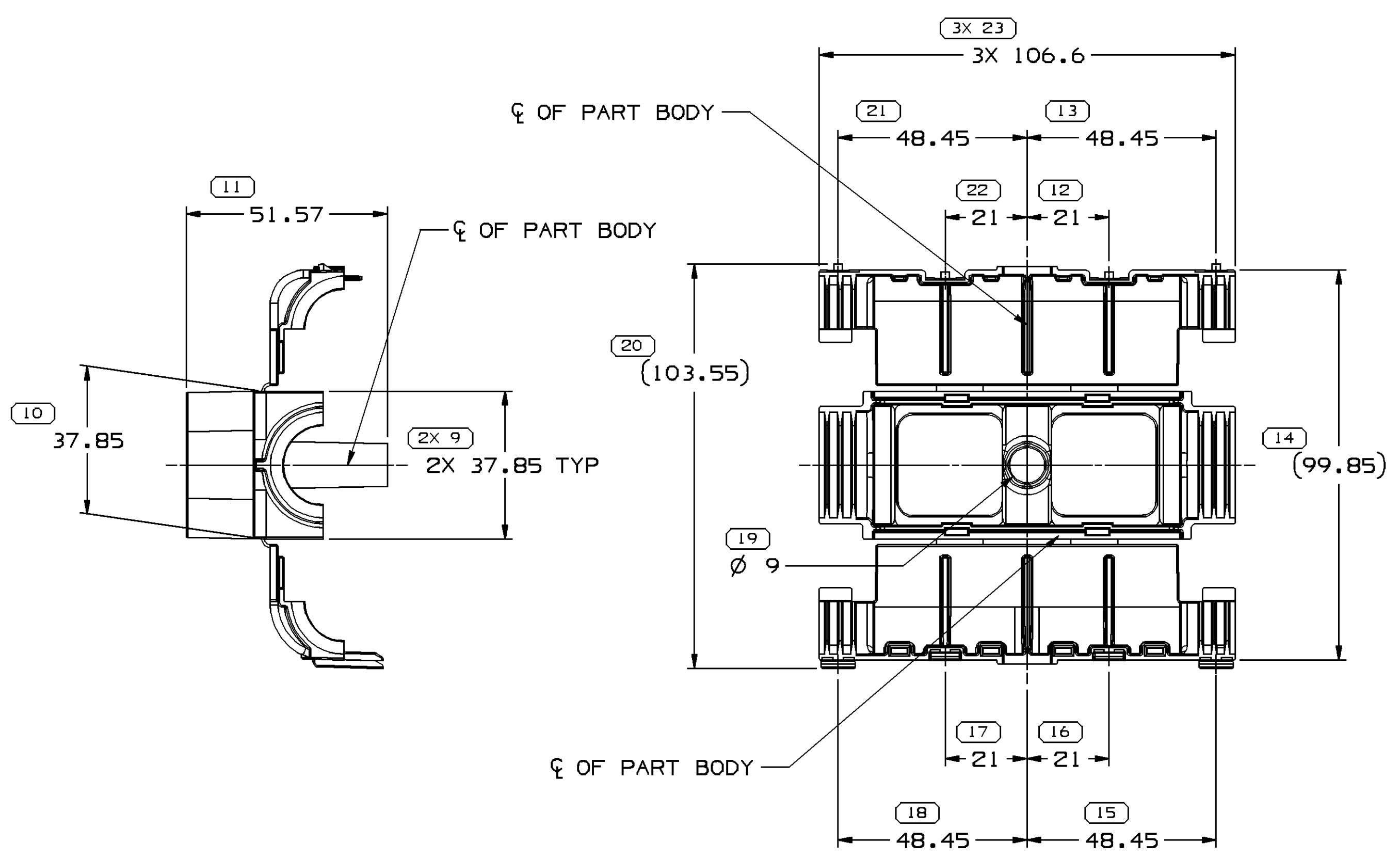
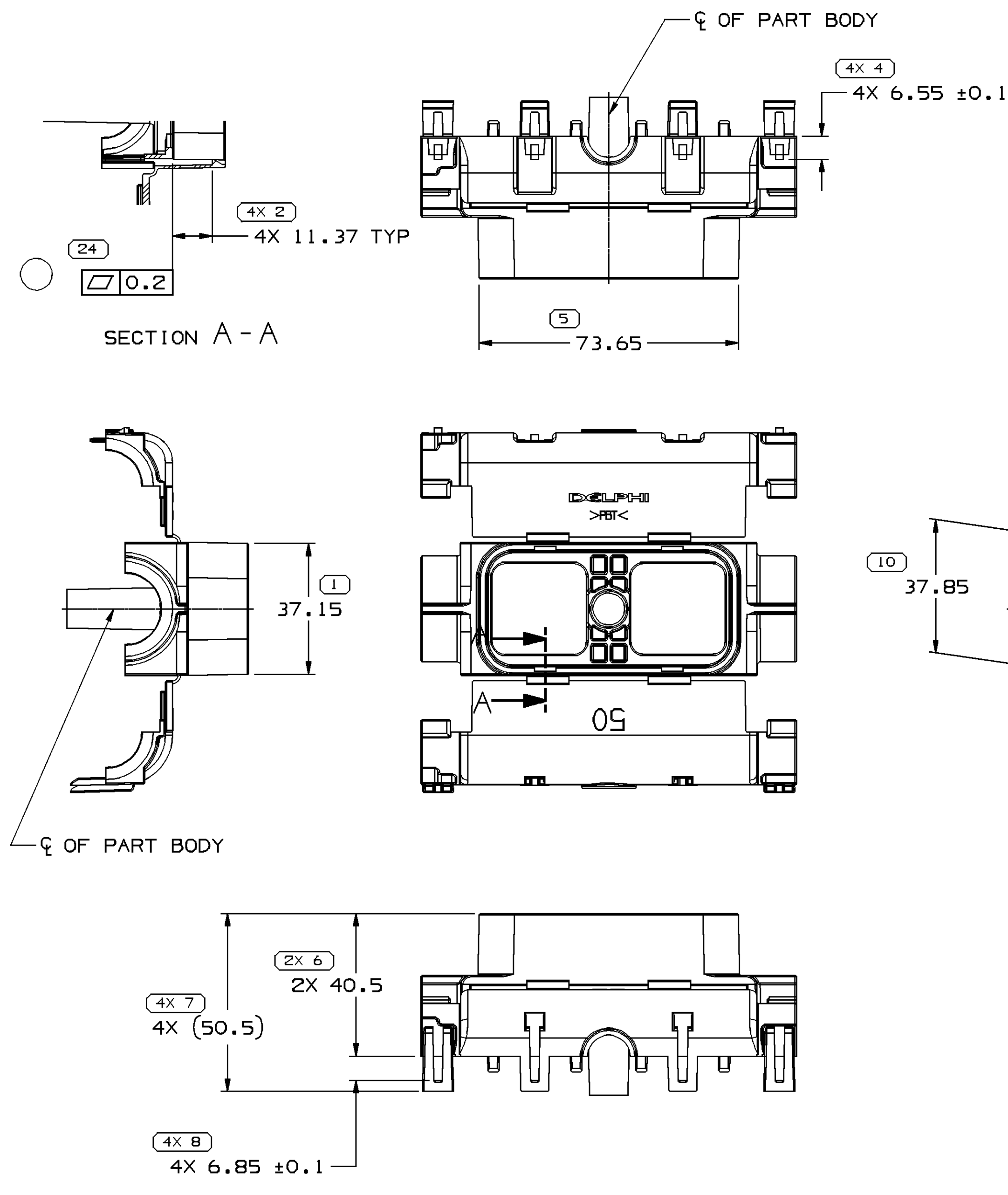
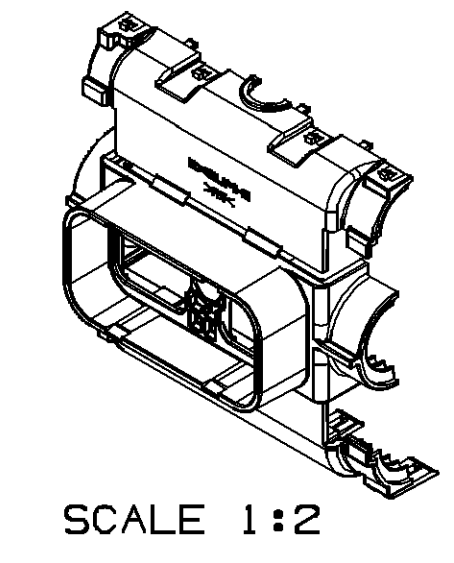


SYMBOL DEFINITION		MISSING SYMBOLS	
A DIMENSION WITHOUT AN INSPECTION REPORT SYMBOL DOES NOT REQUIRE INSPECTION. IT MAY BE CONTROLLED ON THE INDIVIDUAL COMPONENT DRAWING.	TOTAL NO OF INSPECTIONS REQUIRED	NO MISSING SYMBOL NUMBER	41
	LAST NO. USED		24

DWG STATUS					REVISION HISTORY				AUTH	DR	APVD1	APVD2
DATE	STG	REV	N/P	CHG								
27MY08	R	01	-	-	WAS PE173468 AND RELEASED				404850	MEC	MEC	JDS
09JN08	R	02	-	-	UPDATED PDM ATTRIBUTES				404964	END	END	JDS
18JL08	R	02	AA	-	ADDED FLATNESS DIMENSION				405420	MDH	FKV	JDS



NOTES

- UNLESS OTHERWISE SPECIFIED AND/OR INDICATED:
DIMENSIONS ARE TO FACE OF VIEW SHOWN AND AUTOMATICALLY ROUNDED BY COMPUTER FOR INSPECTION (SEE MATH MODEL FOR PRECISE DIMENSIONS). FOR ALL OTHER DIMENSIONS NOT SHOWN BUT REQUIRED FOR TOOL BUILD, SEE MATH MODEL FOR PRECISE TOOL PATH DATA.
- MATERIAL RECYCLING CODE PER ISO 11469. (2.3)X(0.1) CHARACTERS AS SHOWN TO BE LOCATED ON ANY EXTERIOR SURFACE.
- THIS PRODUCT IS NOT CATEGORIZED AS AN APPEARANCE ITEM, MINOR IMPERFECTIONS INCLUDING, BUT NOT LIMITED TO, FLOW MARKS, COLOR BLEMISHES, GATE VESTIGE, AND SOFT FLASH THAT DO NOT AFFECT THE FIT, FORM, OR FUNCTION OF THE PART ARE PERMISSIBLE PER NAP 4.10-18.
- REFERENCE MATING COMPONENTS OR EQUIVALENT:
CONNECTORS - SEE DRAWING 15475161
CONDUIT - SIZE 19
- (2.3)X(0.1) DELPHI CORPORATE BRAND TO BE LOCATED ON ANY EXTERIOR SURFACE, PREFERABLY VISIBLE AT FINAL ASSEMBLY.

(10) PROCESS SENSITIVE DIMENSION							
DIMENSIONS ENCLOSED IN () INDICATE REFERENCE DIMENSIONS AND NO TOLERANCE LIMITS ARE ESTABLISHED							
DIMENSIONAL RANGE (MM)	CHART ET						
FROM > 0	> 30	> 70	> 100	> 150	> 200	> 250	> 300
TO > 20	> 30	> 70	> 100	> 150	> 200	> 250	> 300
TOLERANCE UNLESS OTHERWISE SPECIFIED							
[±0.15 ±0.2 ±0.3 ±0.4 ±0.5 ±0.6 ±0.8 ±1 ±1.2]							
ANGULAR TOLERANCE ±2°							

DWG TYPE PART DRAWING	
STYLE	
VOLUME (CPI) 35.884	DISTR CODE D
UNLESS OTHERWISE SPECIFIED THIS DOCUMENT IS IN ACCORDANCE WITH ASME Y14.5M-1994 AS AMENDED BY THE GM GLOBAL DIMENSIONING AND TOLERANCING ADDENDUM-2001. SEPARATE PATTERNS OF FEATURES MAY BE GAGED SEPARATELY REGARDLESS OF DATUM REFERENCES.	
ALL DIMENSIONS ARE IN MILLIMETERS	
REFERENCE	
THIRD ANGLE PROJECTION	DO NOT SCALE USE MATH DATA

DELPHI
DELPHI PACKARD ELECTRICAL/ELECTRONIC ARCHITECTURE
WARREN, OH

DR	DATE
APVD1 M. CIPRIANO	27MY08
APVD2 M. CIPRIANO	27MY08
APVD3 J. SCHNEIDER	27MY08
APVD4	
APVD5	
SUBSTANCES OF CONCERN AND RECYCLED CONTENT PER DELPHI 10945001	
MATERIAL POLYESTER COMPOUND BLACK	
DRAWING NAME COV CONN CLIP CDT	
DRAWING NUMBER 13711008	
SIZE A1	SCALE 1:1
FRAME NO 1 OF 1	SHEET NO 1 OF 1
STG R	REV 02
N/P AA	

Mouser Electronics

Authorized Distributor

Click to View Pricing, Inventory, Delivery & Lifecycle Information:

[Aptiv:](#)

[13711008](#)