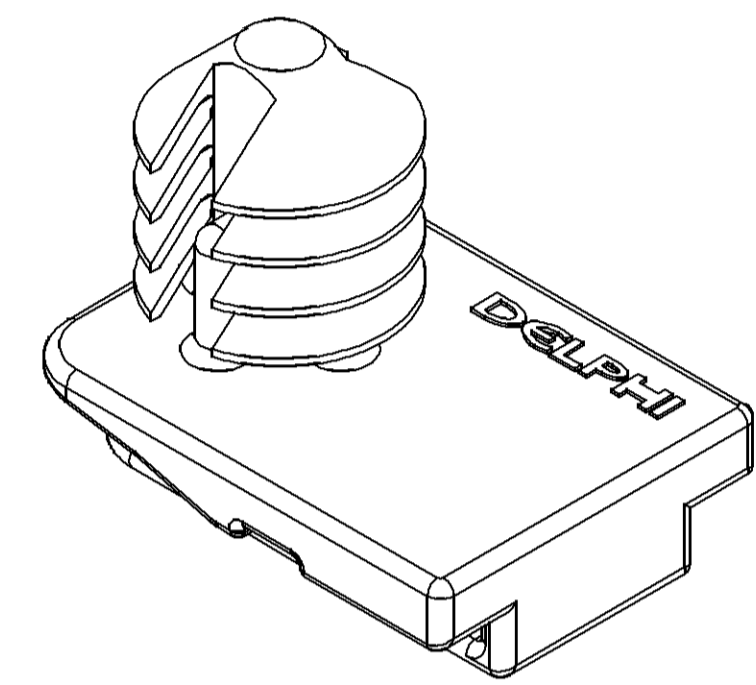
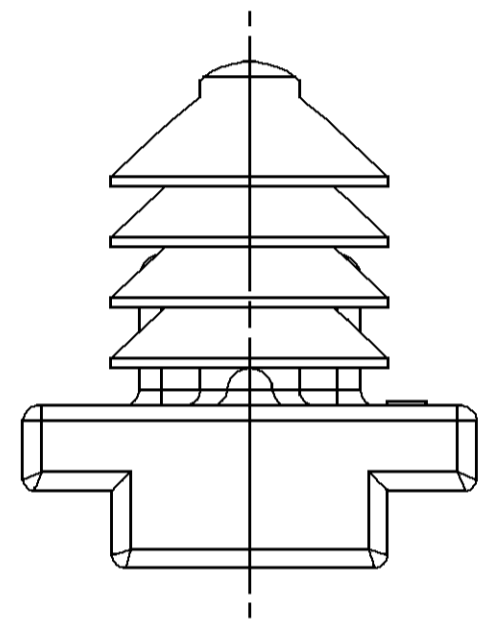
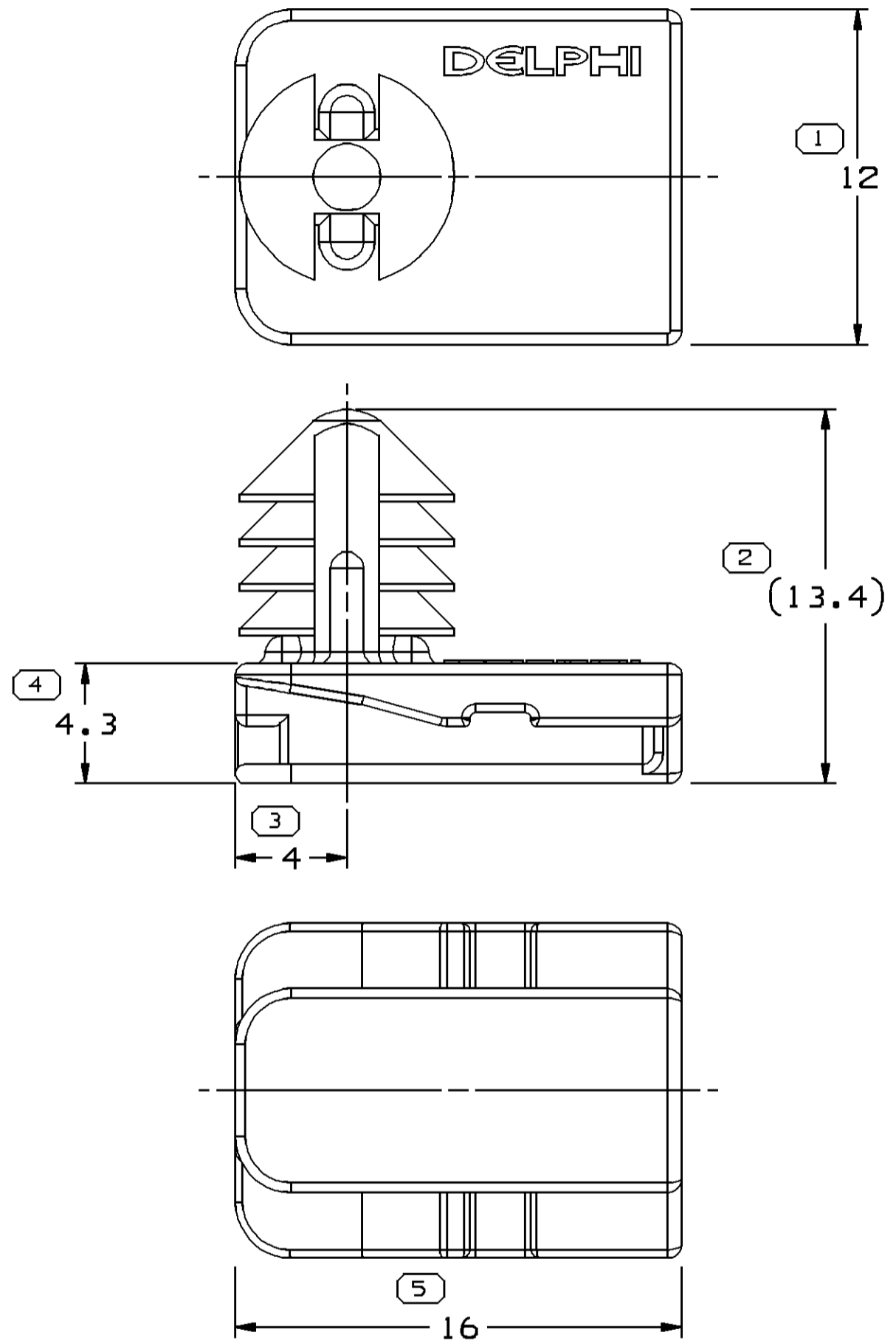


SYMBOL DEFINITION		MISSING SYMBOLS	
A DIMENSION WITHOUT AN INSPECTION REPORT SYMBOL ○ DOES NOT REQUIRE INSPECTION. IT MAY BE CONTROLLED ON THE INDIVIDUAL COMPONENT DRAWING.	TOTAL NO OF INSPECTIONS REQUIRED	5	NO MISSING SYMBOL NUMBER
	LAST NO. USED	5	

DWG STATUS					ZONE	REVISION HISTORY			AUTH	DR	APVD 1	APVD 2
DATE	STG	REV	N/P	CHG								
05DE06	R	01	-	-		WAS PE161059 AND RELEASED			287448	MM	MM	JW
11DE06	R	02	-	-		REVISED LOCK LOCATION - 12 WAS 8.5 AND REMOVED STEP			287722	MM	MM	JW
14DE06	R	03	-	-		UPDATED PDM ATTRIBUTES			287822	MM	MM	JW
01FE07	R	04	-	-		REVISED LOCK FEATURE AND TREE LOCATION			400389	MM	MM	JW
08FE07	R	05	-	-		UPDATED PDM ATTRIBUTES			400463	MM	MM	JW
10AP07	R	06	-	-		UPDATED PDM ATTRIBUTES			401038	MM	MM	JW
10MY07	R	07	-	-		UPDATED PDM ATTRIBUTES			401374	MM	MM	JW
12JL07	R	07	AA	-		ADDED NON-APPEARANCE ITEM AND CLIP TO CONNECTOR ENGAGE FORCE NOTES			401798	DB	DB	JW



- NOTES**
- UNLESS OTHERWISE SPECIFIED AND/OR INDICATED: DIMENSIONS ARE TO FACE OF VIEW SHOWN AND AUTOMATICALLY ROUNDED BY COMPUTER FOR INSPECTION. (SEE MATH MODEL FOR PRECISE DIMENSIONS.) FOR ALL OTHER DIMENSIONS NOT SHOWN BUT REQUIRED FOR TOOL BUILD, SEE MATH MODEL FOR PRECISE TOOL PATH DATA.
 - RECOMMENDED HOLE SIZE: ϕ 6.35 IN 2 MAX THICK STOCK.
 - (1)X(0.1) DELPHI CORPORATE BRAND TO BE LOCATED ON ANY EXTERIOR SURFACE, PREFERABLY VISIBLE AT FINAL ASSEMBLY. OPTIONAL CONSTRUCTION FOR EXISTING TOOLING MAY BE "PED".
 - THIS PRODUCT IS NOT CATEGORIZED AS AN APPEARANCE ITEM, MINOR IMPERFECTIONS INCLUDING, BUT NOT LIMITED TO, FLOW MARKS, COLOR BLEMISHES, GATE VESTIGE, AND SOFT FLASH THAT DO NOT AFFECT THE FIT, FORM, OR FUNCTION OF THE PART ARE PERMISSIBLE PER NAP 4.10-18.
 - THE CLIP TO CONNECTOR ENGAGE FORCE MAY EXCEED 60N.

5 PROCESS SENSITIVE DIMENSION	
DIMENSIONS ENCLOSED IN () INDICATE REFERENCE DIMENSIONS AND NO TOLERANCE LIMITS ARE ESTABLISHED	
DIMENSIONAL RANGE (MM)	CHART E
FROM TO	0 > 20 > 30 > 70 > 100
TOLERANCE UNLESS OTHERWISE SPECIFIED	± 0.15 ± 0.2 ± 0.3 ± 0.4 ± 0.5
ANGULAR TOLERANCE $\pm 2^\circ$	

DWG TYPE PART DRAWING	
STYLE	
VOLUME (CM ³) 0.714	DISTR CODE D
UNLESS OTHERWISE SPECIFIED THIS DOCUMENT IS IN ACCORDANCE WITH ASME Y14.5M-1994 AS AMENDED BY THE 0M GLOBAL DIMENSIONING AND TOLERANCING ADDENDUM-2001. SEPARATE PATTERNS OF FEATURES MAY BE GAGED SEPARATELY REGARDLESS OF DATUM REFERENCES.	
ALL DIMENSIONS ARE IN MILLIMETERS	
REFERENCE	
THIRD ANGLE PROJECTION	DO NOT SCALE USE MATH DATA

DELPHI			
DELPHI PACKARD ELECTRICAL/ELECTRONIC ARCHITECTURE WARREN, OH			
DR		DATE	
APVD1	M. MILLER	05DE06	
APVD2	M. MILLER	05DE06	
APVD3	JAMES WESTON	05DE06	
APVD4			
APVD5			
SUBSTANCES OF CONCERN AND RECYCLED CONTENT PER DELPHI 10949001			
MATERIAL POLYAMIDE COMPOUND GRAY			
DRAWING NAME MOUN CLIP			
DRAWING NUMBER 13613163			
SIZE A2	SCALE 5:1	FRAME NO 1 OF 1	SHEET NO 1 OF 1
STG R	REV 07	N/P AA	

Mouser Electronics

Authorized Distributor

Click to View Pricing, Inventory, Delivery & Lifecycle Information:

[Aptiv:](#)

[13613163](#)