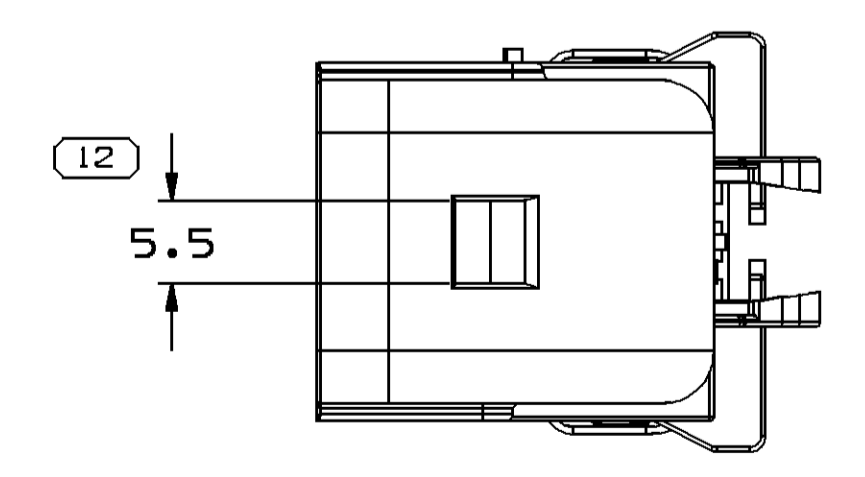
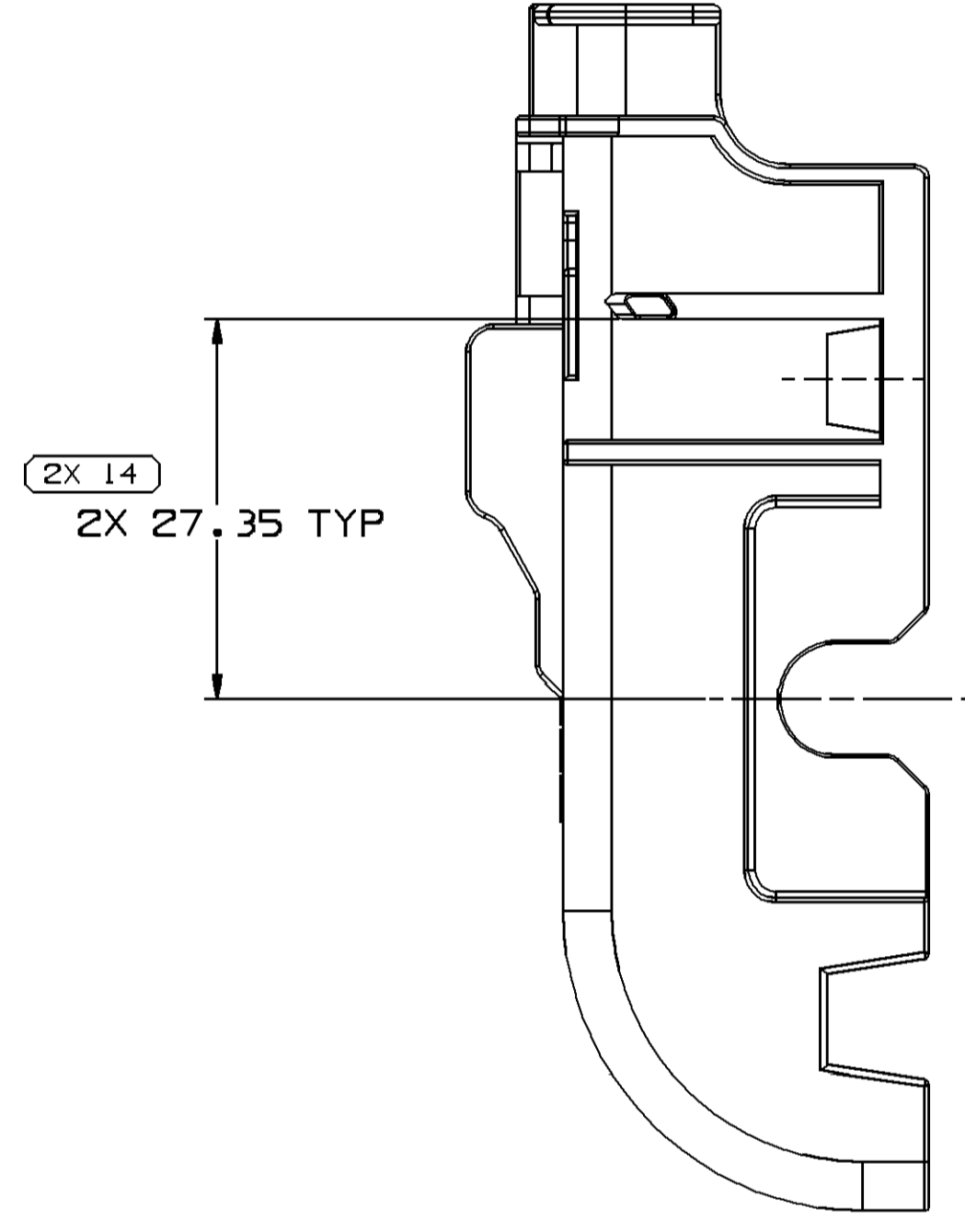
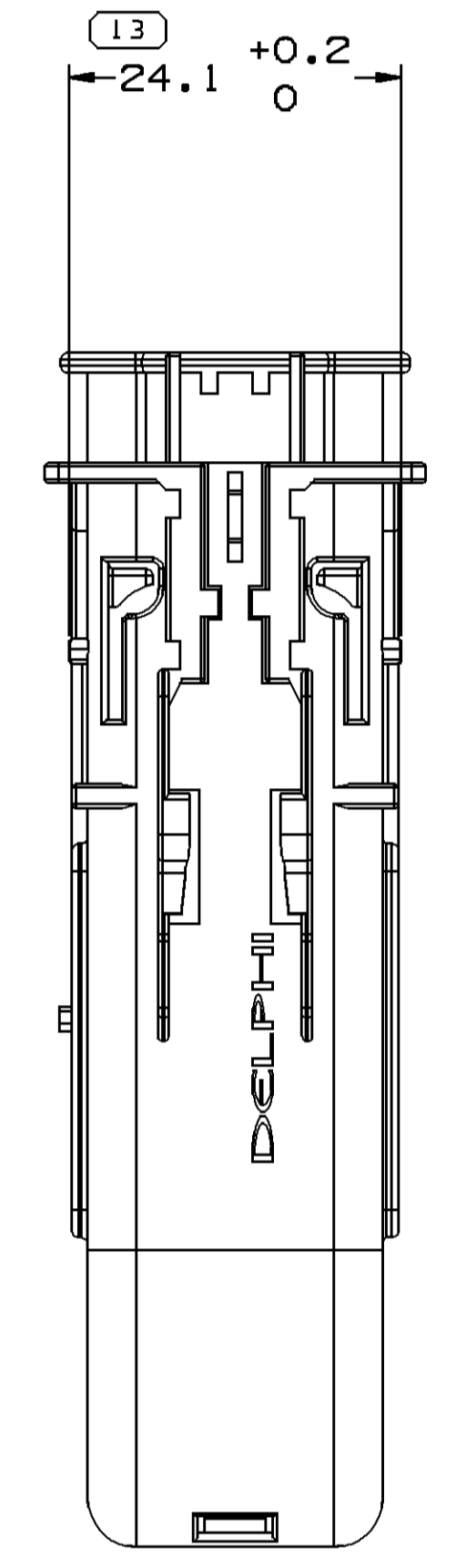
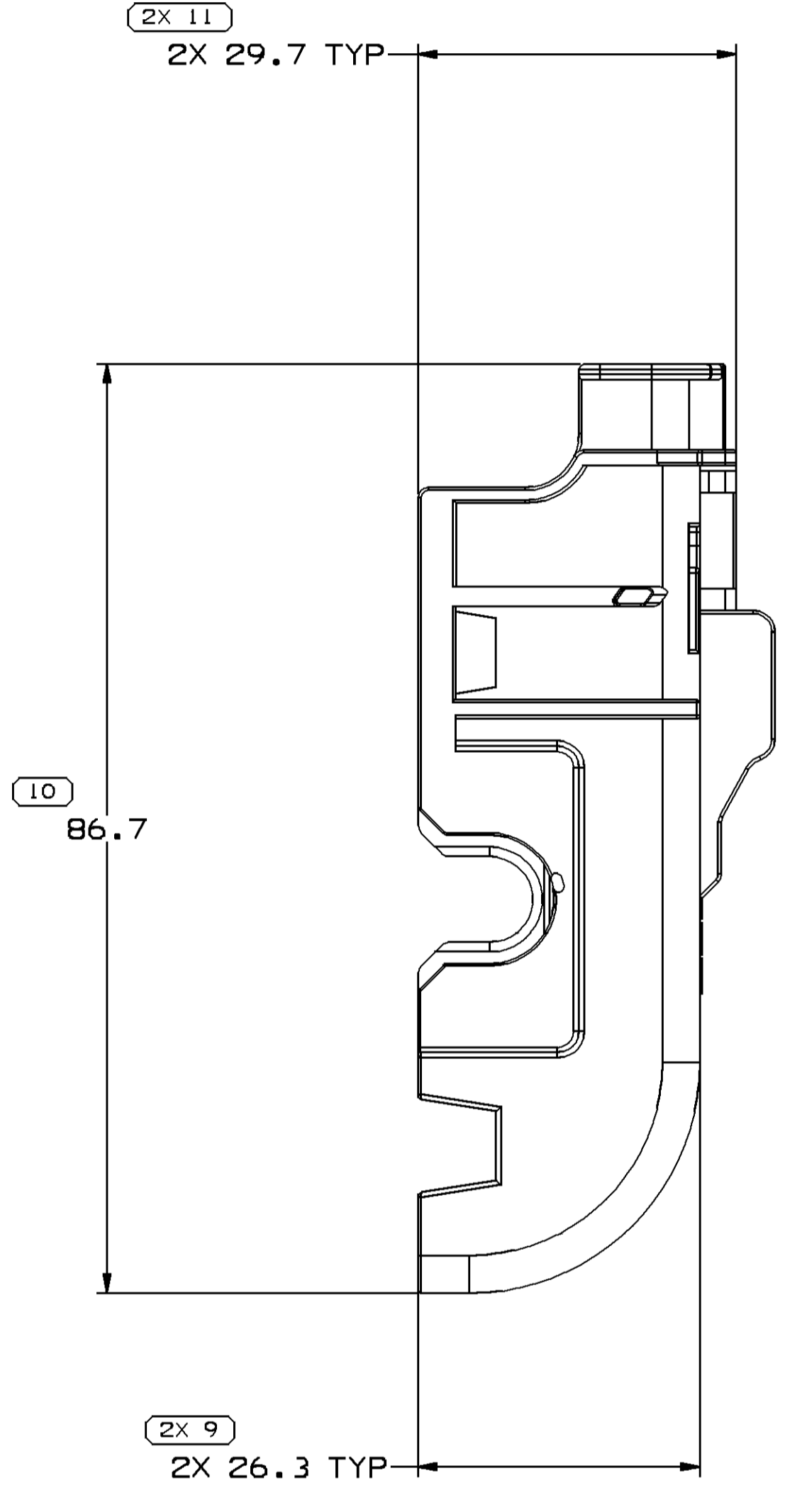
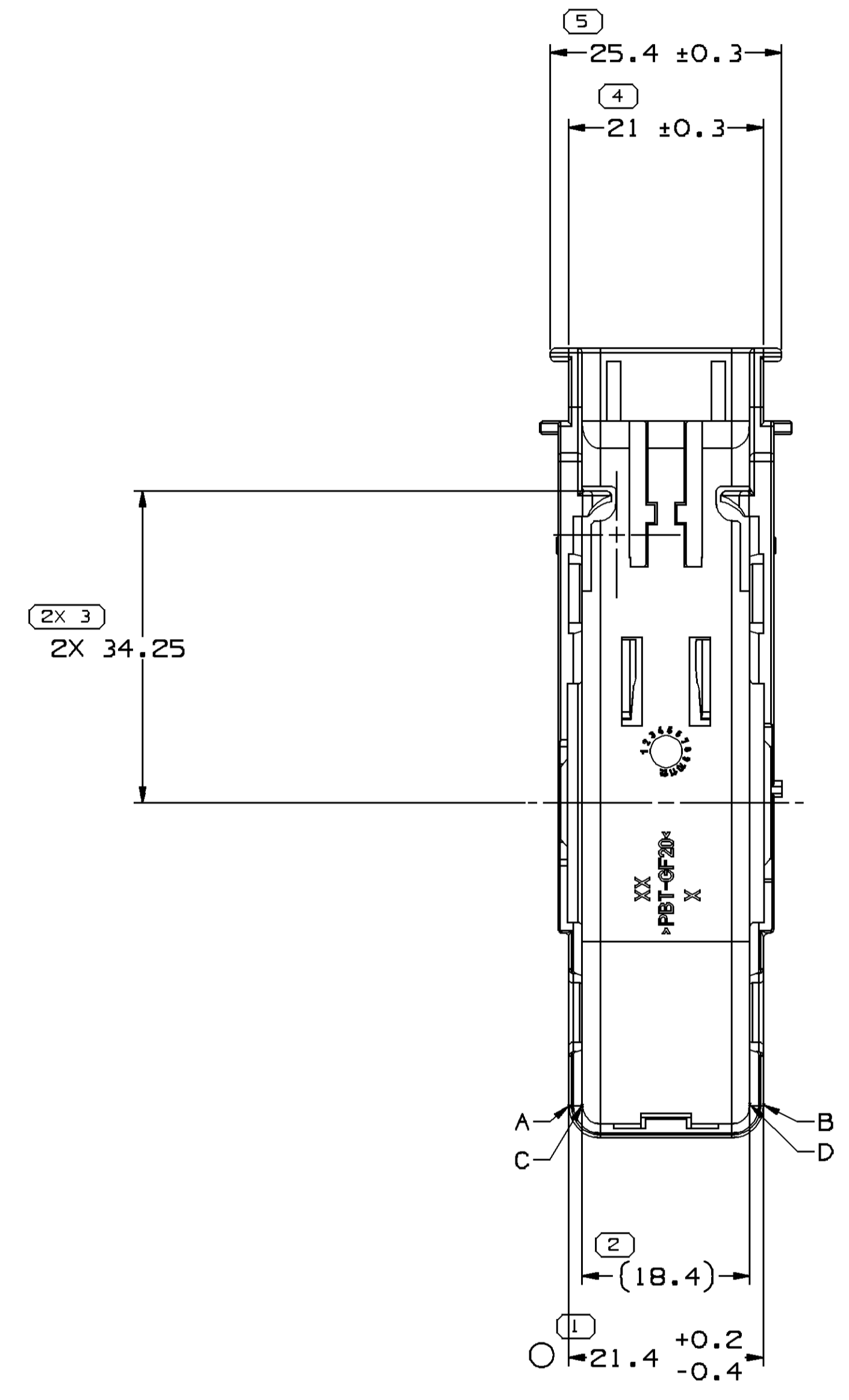
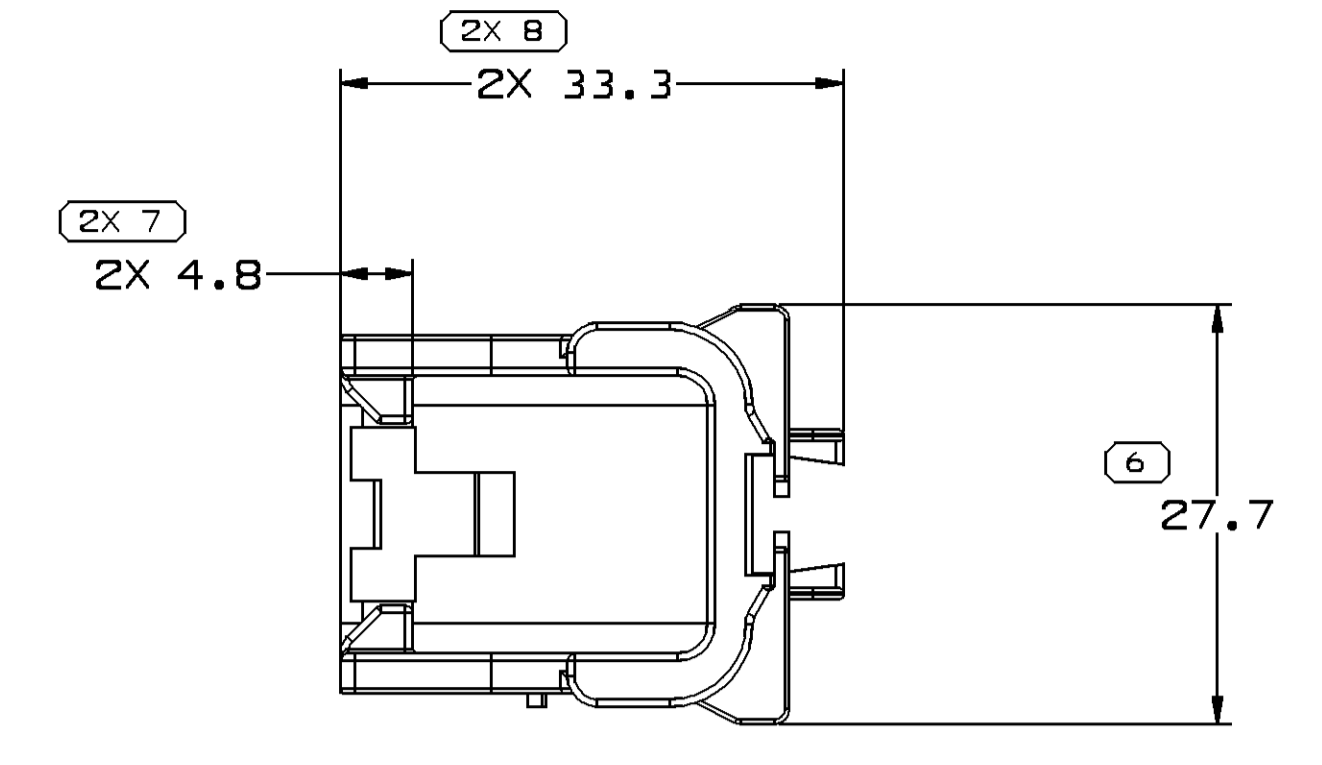
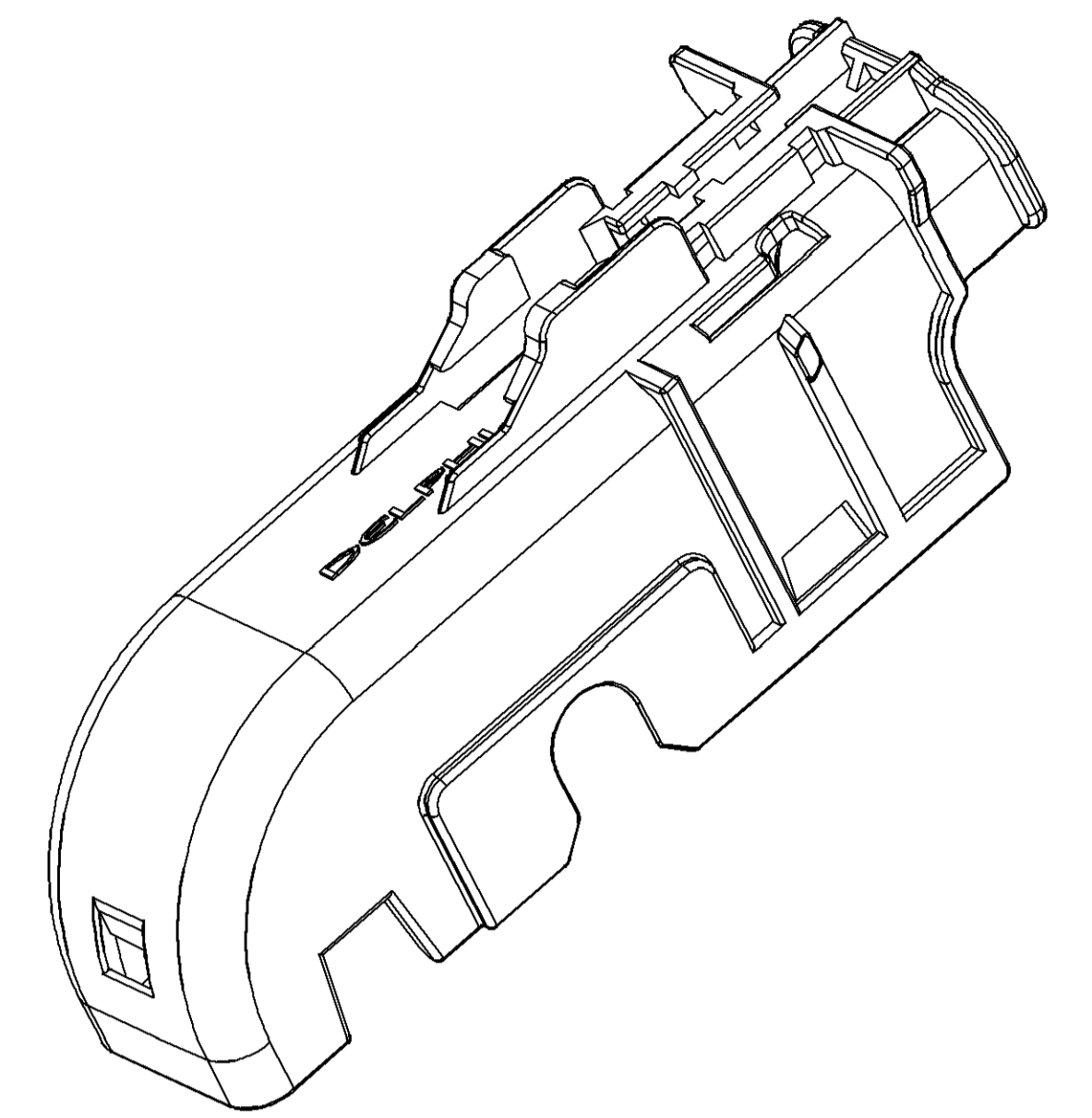


SYMBOL DEFINITION		TOTAL NO OF INSPECTIONS REQUIRED	20
A DIMENSION WITHOUT AN INSPECTION REPORT SYMBOL DOES NOT REQUIRE INSPECTION. IT MAY BE CONTROLLED ON THE INDIVIDUAL COMPONENT DRAWING.		LAST NO. USED	14

MISSING SYMBOLS				NO MISSING SYMBOL NUMBER	
DATE	STG	REV	N/P	CHG	ZONE
30AP07	R	01	-	-	RELEASED
10AP08	R	02	-	-	DIM #4 WAS 21.4+/-0.2 DIM #5 WAS 25.4+/-0.2 ADD NOTE 3 TERMINAL INFORMATION
29AP08	R	03	-	-	UPDATED PDM ATTRIBUTES
15AU08	R	03	AA	-	DIM #1 WAS 21.4+/-0.2



NOTES

- UNLESS OTHERWISE SPECIFIED AND/OR INDICATED:
DIMENSIONS ARE TO FACE OF VIEW SHOWN AND AUTOMATICALLY ROUNDED BY COMPUTER FOR INSPECTION (SEE MATH MODEL FOR PRECISE DIMENSIONS). FOR ALL OTHER DIMENSIONS NOT SHOWN BUT REQUIRED FOR TOOL BUILD, SEE MATH MODEL FOR PRECISE TOOL PATH DATA.
- REFERENCE MATING COMPONENTS OR EQUIVALENT:
CONNECTOR ASSEMBLY: 1 3598001/1 3598002/1 3644843
- DIM #1 MEASURE AT POINT A AND B.
DIM #2 MEASURE AT POINT C AND D.

Dwg Type: PART DRAWING																																			
Style: B, 486	DISTR CODE: D																																		
UNLESS OTHERWISE SPECIFIED THIS DOCUMENT IS IN ACCORDANCE WITH ASME Y14.5M-1994 AS MODIFIED BY THE IN-SOURCE DIMENSIONING PRACTICES ADDENDUM-001. SEPARATE WRITINGS OF FEATURES MAY BE BASED SEPARATELY PER-ROLE OF DUTY REFERENCES.																																			
ALL DIMENSIONS ARE IN MILLIMETERS																																			
REFERENCE																																			
<table border="1"> <thead> <tr> <th>DIMENSIONAL RANGE (MM)</th> <th>SHORT ET</th> </tr> </thead> <tbody> <tr> <td>FROM > 0</td> <td>> 30</td> </tr> <tr> <td>TO 20</td> <td>30</td> </tr> <tr> <td>30</td> <td>70</td> </tr> <tr> <td>70</td> <td>100</td> </tr> <tr> <td>100</td> <td>150</td> </tr> <tr> <td>150</td> <td>200</td> </tr> <tr> <td>200</td> <td>250</td> </tr> <tr> <td>250</td> <td>300</td> </tr> <tr> <td>300</td> <td>400</td> </tr> <tr> <td colspan="2">TOLERANCE UNLESS OTHERWISE SPECIFIED</td> </tr> <tr> <td>±0.15</td> <td>±0.2</td> </tr> <tr> <td>±0.3</td> <td>±0.4</td> </tr> <tr> <td>±0.5</td> <td>±0.6</td> </tr> <tr> <td>±0.6</td> <td>±0.8</td> </tr> <tr> <td>±1</td> <td>±1.2</td> </tr> <tr> <td colspan="2">ANGULAR TOLERANCE 2°</td> </tr> </tbody> </table>		DIMENSIONAL RANGE (MM)	SHORT ET	FROM > 0	> 30	TO 20	30	30	70	70	100	100	150	150	200	200	250	250	300	300	400	TOLERANCE UNLESS OTHERWISE SPECIFIED		±0.15	±0.2	±0.3	±0.4	±0.5	±0.6	±0.6	±0.8	±1	±1.2	ANGULAR TOLERANCE 2°	
DIMENSIONAL RANGE (MM)	SHORT ET																																		
FROM > 0	> 30																																		
TO 20	30																																		
30	70																																		
70	100																																		
100	150																																		
150	200																																		
200	250																																		
250	300																																		
300	400																																		
TOLERANCE UNLESS OTHERWISE SPECIFIED																																			
±0.15	±0.2																																		
±0.3	±0.4																																		
±0.5	±0.6																																		
±0.6	±0.8																																		
±1	±1.2																																		
ANGULAR TOLERANCE 2°																																			
THIRD ANGLE PROJECTION	DO NOT SCALE																																		
USE MATH DATA	NX																																		

DELPHI
DELPHI PACKARD ELECTRIC SYSTEMS
WVREN, OH

DR	DATE
APV01 ALLEN ZHANG	30AP07
APV02 OLIVER YU	30AP07
APV03 OLIVER YU	30AP07
APV04	
APV05	

SUBSTANCES OF CONCERN AND RECYCLED CONTENT PER DELPHI 10949001

WATERLON W1697002 PLAS PBT GF20 BLK

DRAWING NAME: ASM COV WIRE DRESS BLK

DRAWING NUMBER: 13598000

SIZE: AD	SCALE: 2:1	FRAME NO: 1	SHEET NO: 1	OF: 1	REV: R	N/P: AA
----------	------------	-------------	-------------	-------	--------	---------

Mouser Electronics

Authorized Distributor

Click to View Pricing, Inventory, Delivery & Lifecycle Information:

[Aptiv:](#)

[13598000](#)