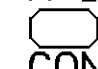
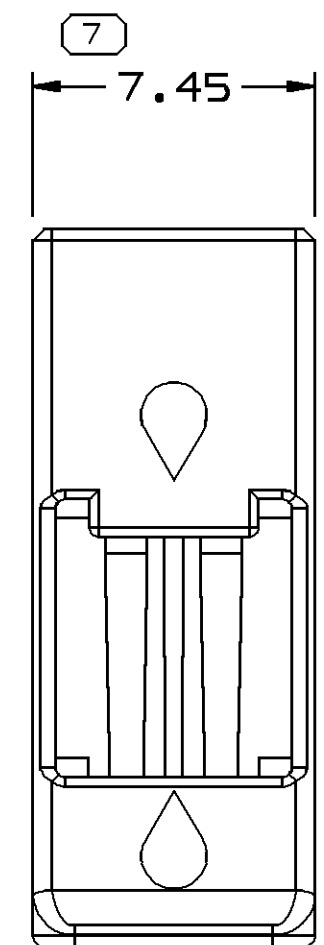
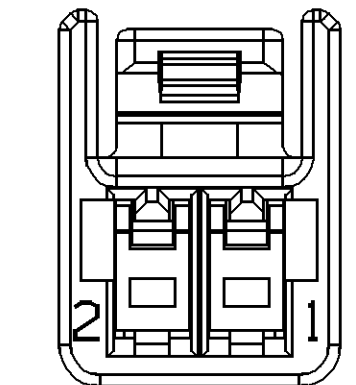
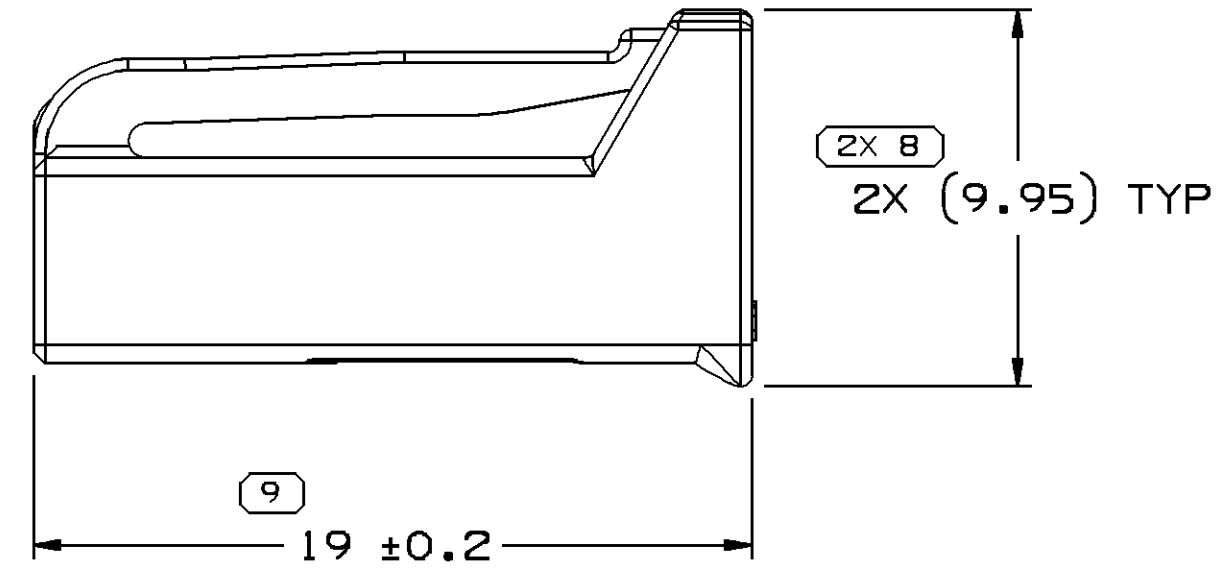
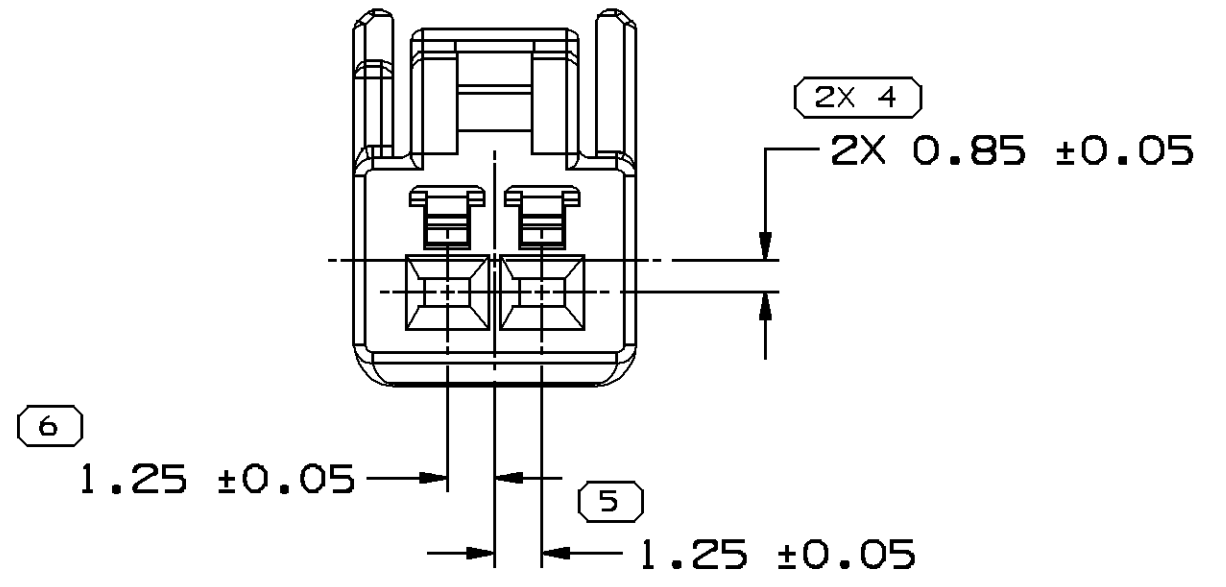
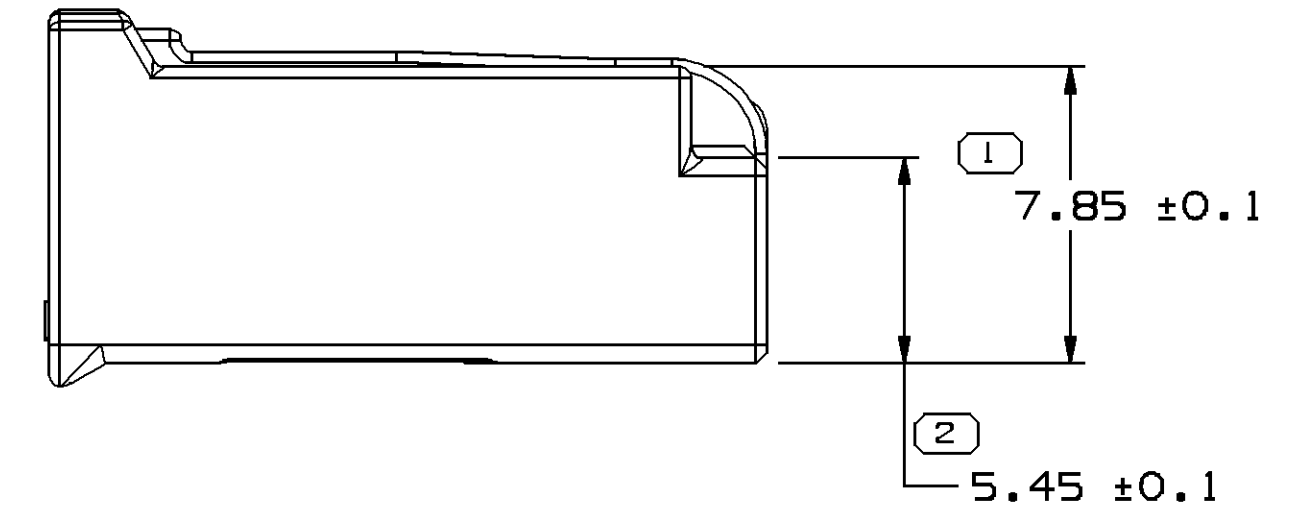
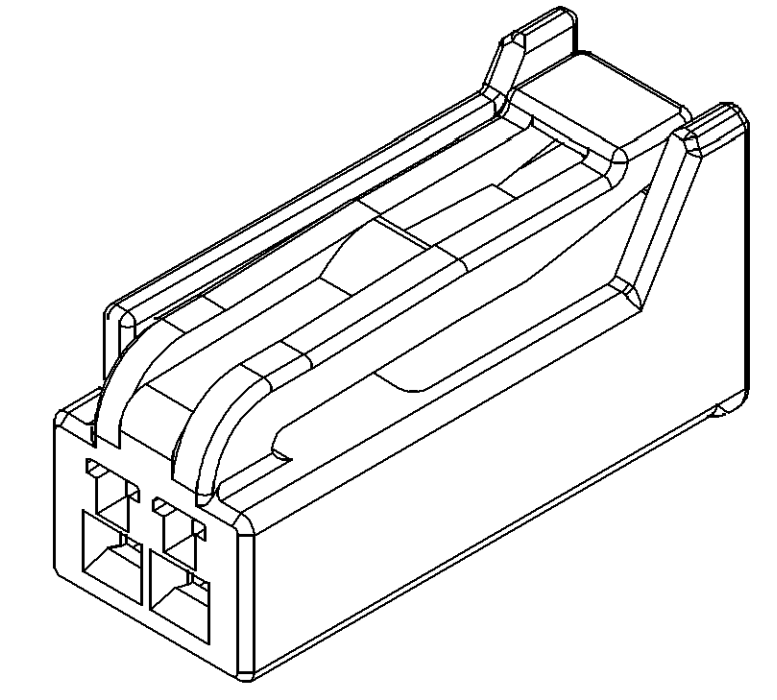
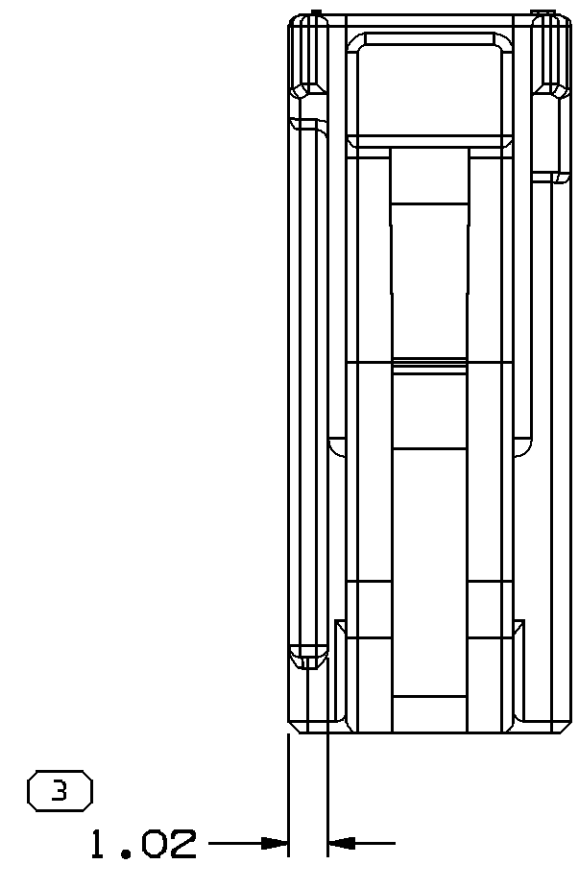


SYMBOL DEFINITION		MISSING SYMBOLS	
A DIMENSION WITHOUT AN INSPECTION REPORT SYMBOL  DOES NOT REQUIRE INSPECTION. IT MAY BE CONTROLLED ON THE INDIVIDUAL COMPONENT DRAWING.	TOTAL NO OF INSPECTIONS REQUIRED	NO MISSING SYMBOL NUMBER	
	LAST NO. USED		
		11	
		9	

DWG STATUS				REVISION HISTORY				AUTH		APVD	
DATE	STG	REV	N/P	CHG	ZONE			DR	APVD	DR	APVD
01AU06	R	01	-	-		PD CREATED		282589	JR	JR	TV
08N006	R	02	-	-		REVISED CAVITY ID 1 & 2		286705	EES	EES	TV
03JA07	R	02	AA	-		UPDATED PDM ATTRIBUTES		400003	PCP	PCP	TV
29JA07	R	02	AB	-		DIM #9 WAS 19		400364	JS	JS	TAV
17MY07	R	02	AC	-		ASSEMBLY P/N WAS 13593331		401394	RH	RH	TV



NOTES

- UNLESS OTHERWISE SPECIFIED AND/OR INDICATED:  
DIMENSIONS ARE TO FACE OF VIEW SHOWN AND AUTOMATICALLY ROUNDED BY COMPUTER FOR INSPECTION (SEE MATH MODEL FOR PRECISE DIMENSIONS). FOR ALL OTHER DIMENSIONS NOT SHOWN BUT REQUIRED FOR TOOL BUILD, SEE MATH MODEL FOR PRECISE TOOL PATH DATA.
- THIS PART USED IN ASSEMBLY 13648215.
- REFERENCE MATING COMPONENTS OR EQUIVALENT:  
13583264 2M 1.0 III CONN
- THIS PART ACCEPTS THE FOLLOWING COMPONENTS OR EQUIVALENT:  
TERMINAL 15443788  
SECONDARY TERMINAL LOCK 13593330

DWG TYPE PART DRAWING	
STYLE	
VOLUME (CPI) 0.548	DISTR CODE D
UNLESS OTHERWISE SPECIFIED THIS DOCUMENT IS IN ACCORDANCE WITH ASME Y14.5M-1994 AS AMENDED BY THE 2001 GLOBAL DIMENSIONING AND TOLERANCING ADDENDUM-2001. SEPARATE PATTERNS OF FEATURES MAY BE GAGED SEPARATELY REGARDLESS OF DATUM REFERENCES.	
ALL DIMENSIONS ARE IN MILLIMETERS	
REFERENCE	

**DELPHI**  
DELPHI PACKARD ELECTRIC SYSTEMS  
WARREN, OH

DR	DATE
APVD1 J. RICHARDSON	01AU06
APVD2 J. RICHARDSON	01AU06
APVD3 T. VOLPONE	01AU06
APVD4	
APVD5	

SUBSTANCES OF CONCERN AND RECYCLED CONTENT PER DELPHI 10945001

MATERIAL  
M4695001 PBT IM HS NAT

DRAWING NAME  
CONN 2 F 1.0 III NAT

DRAWING NUMBER  
**13593329**

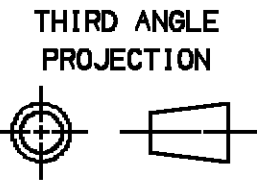
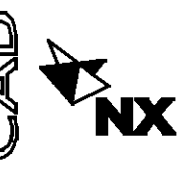
SIZE	SCALE	FRAME NO	SHEET NO	STG	REV	N/P
A1	5:1	1 OF 1	1 OF 1	R	02	AC

DIMENSIONAL RANGE (MM)		CHART ET	
FROM	>	TO	
> 0	> 20	> 30	> 70
> 20	> 30	> 70	> 100
> 30	> 70	> 100	> 150
> 70	> 100	> 150	> 200
> 100	> 150	> 200	> 250
> 150	> 200	> 250	> 300
> 200	> 250	> 300	> 400
TOLERANCE UNLESS OTHERWISE SPECIFIED			
±0.15	±0.2	±0.3	±0.4
±0.3	±0.4	±0.5	±0.6
±0.4	±0.5	±0.6	±0.8
±0.5	±0.6	±0.8	±1
±0.6	±0.8	±1	±1.2
ANGULAR TOLERANCE ±2°			

THIRD ANGLE PROJECTION

DO NOT SCALE

USE MATH DATA

# Mouser Electronics

Authorized Distributor

Click to View Pricing, Inventory, Delivery & Lifecycle Information:

[Aptiv:](#)  
[13593329](#)