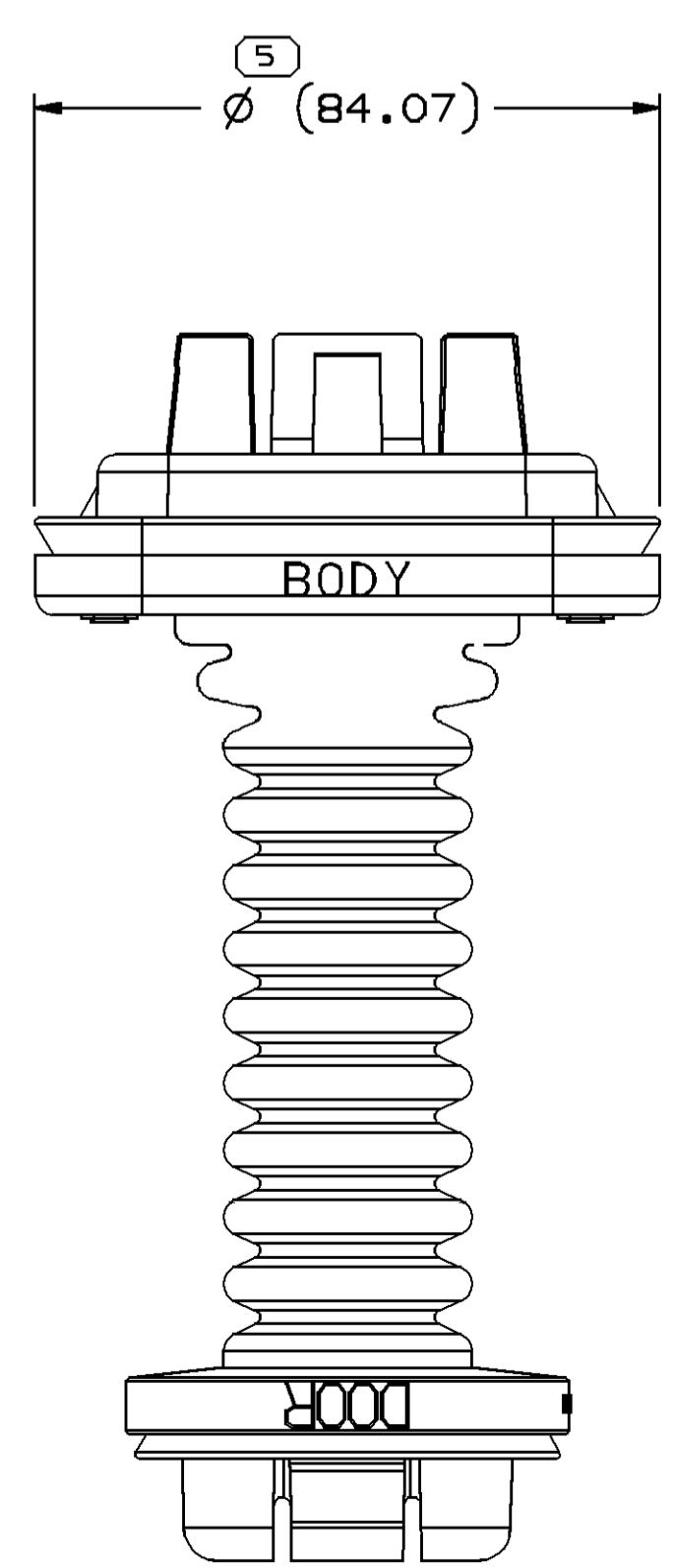
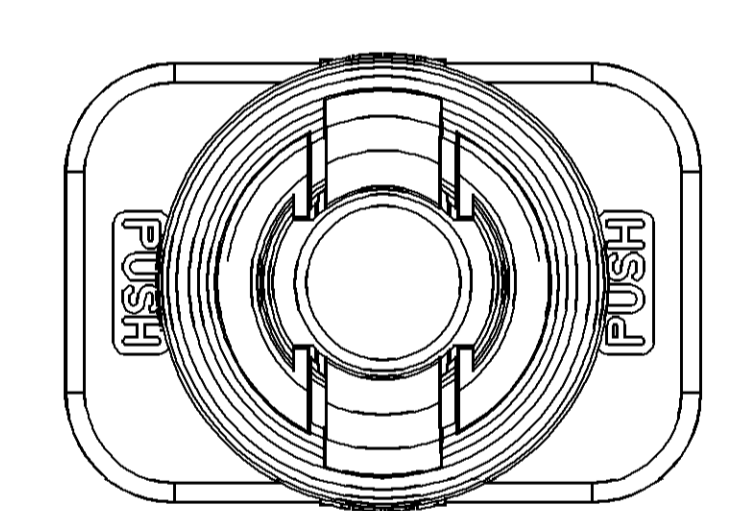
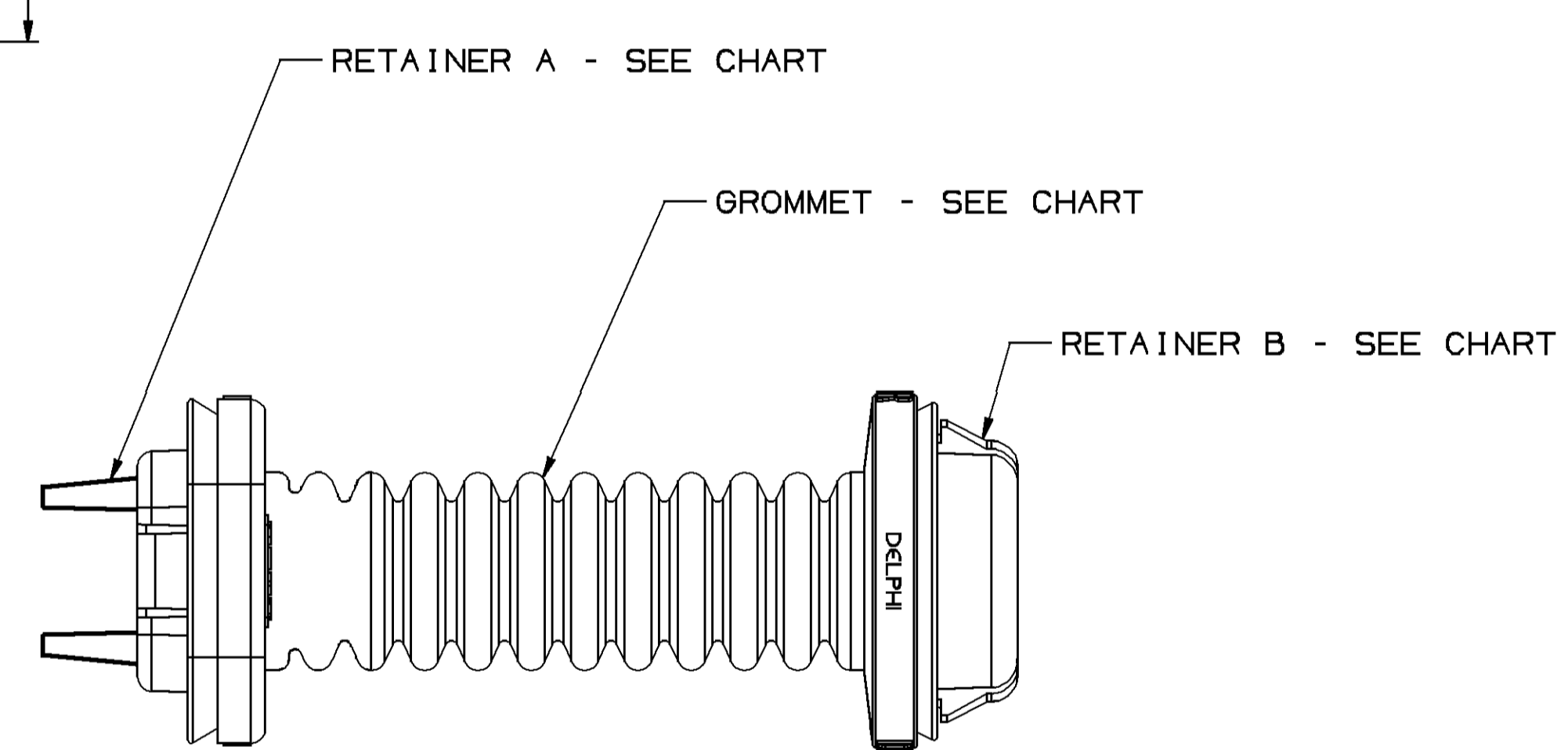
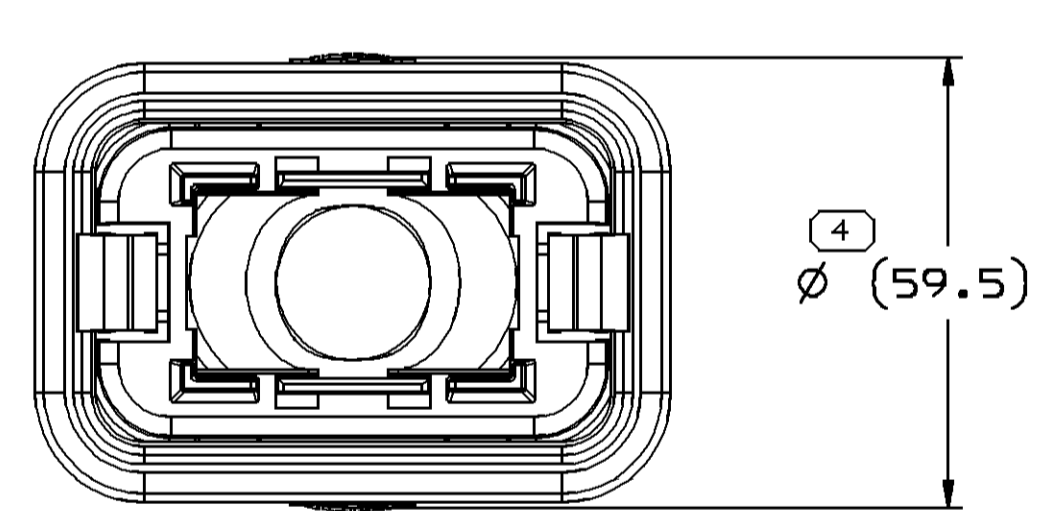
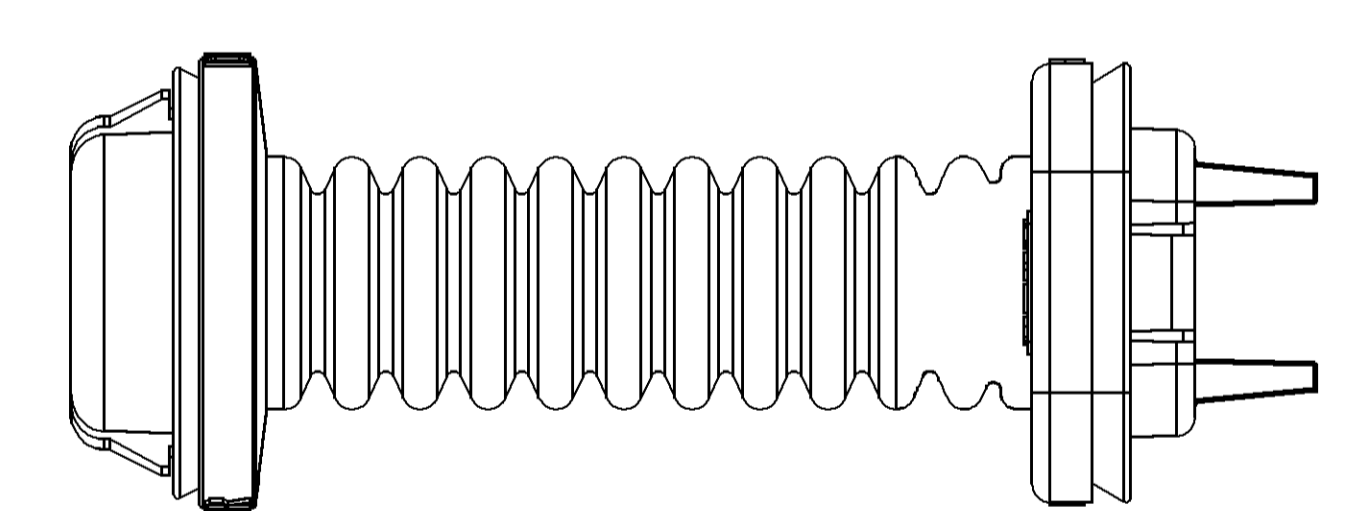
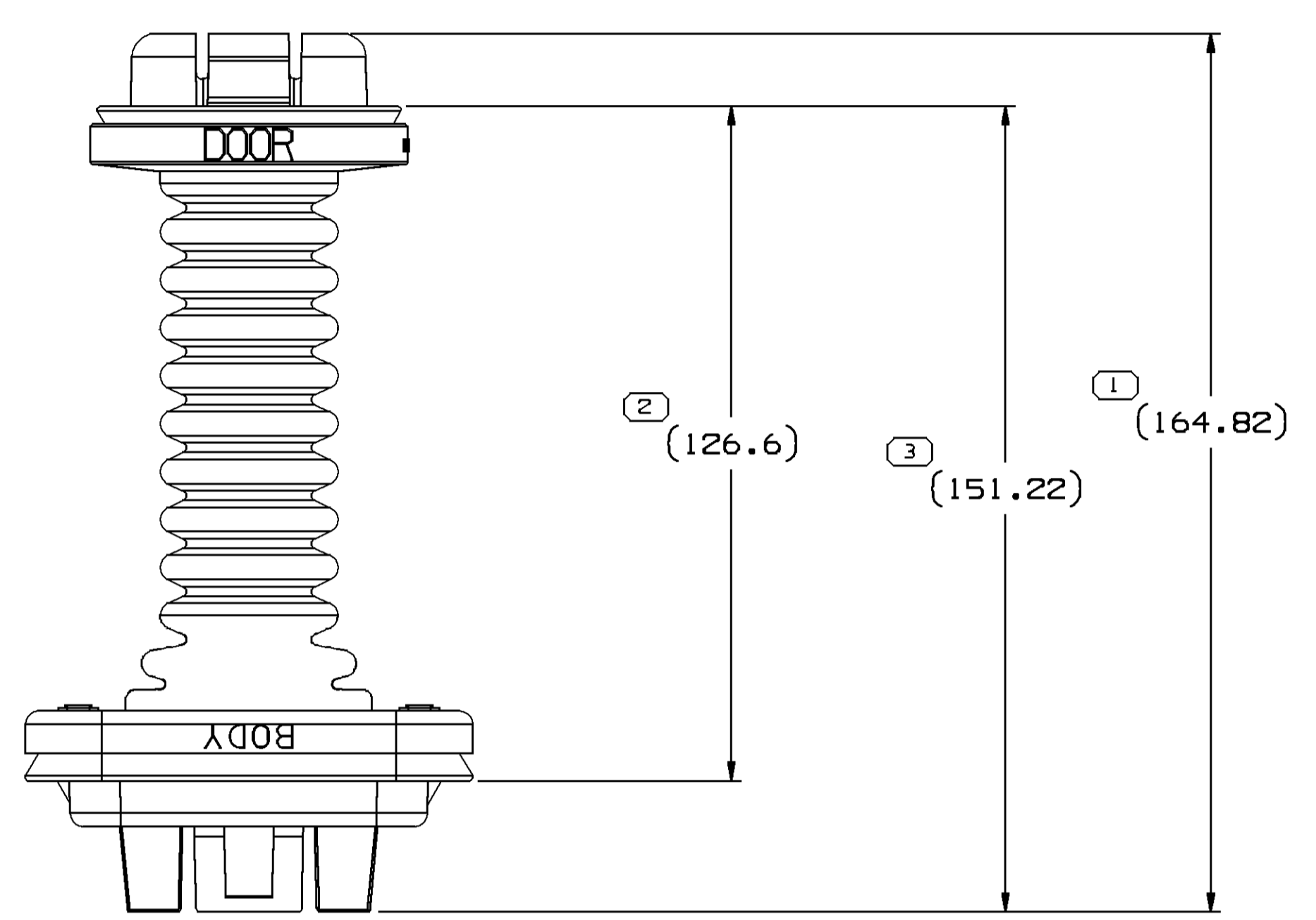
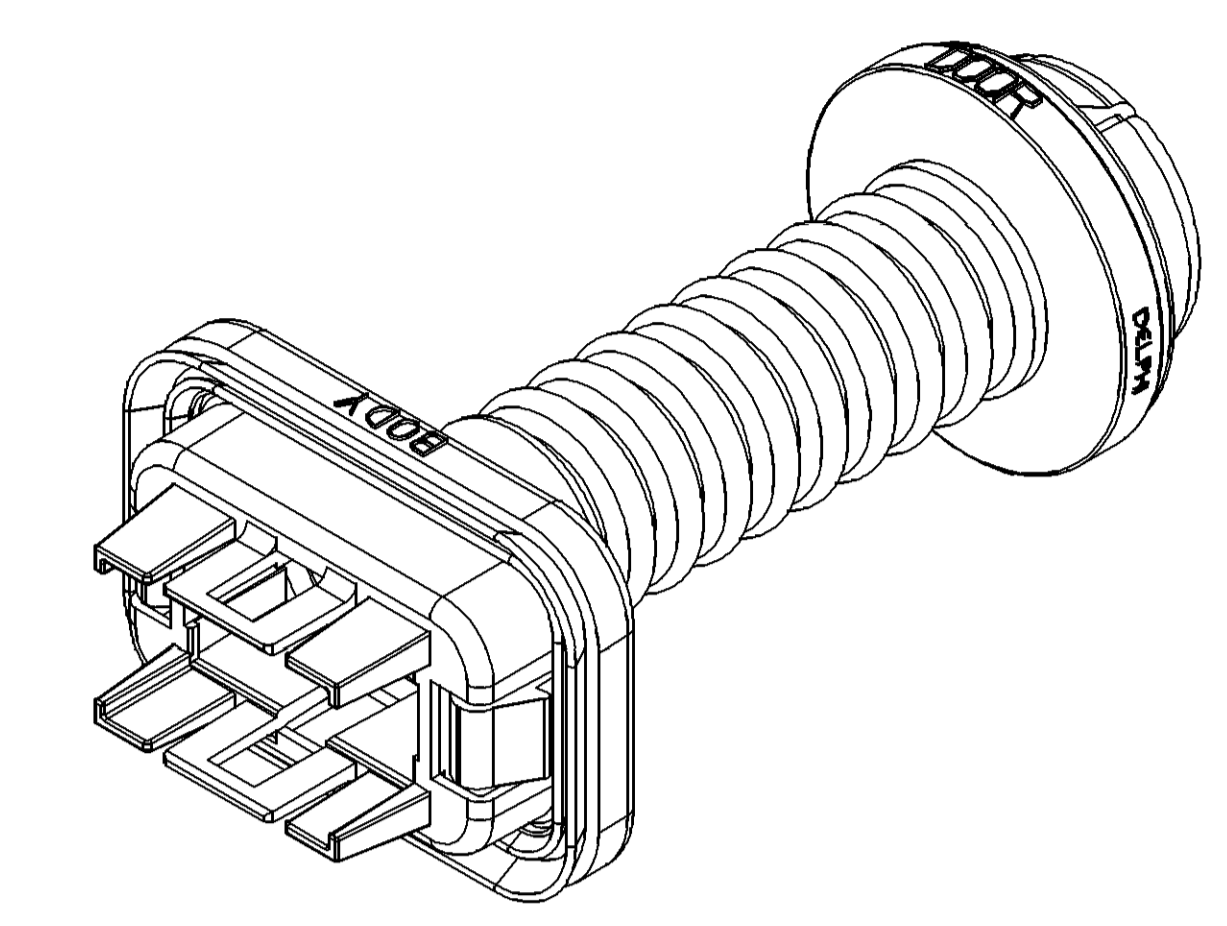
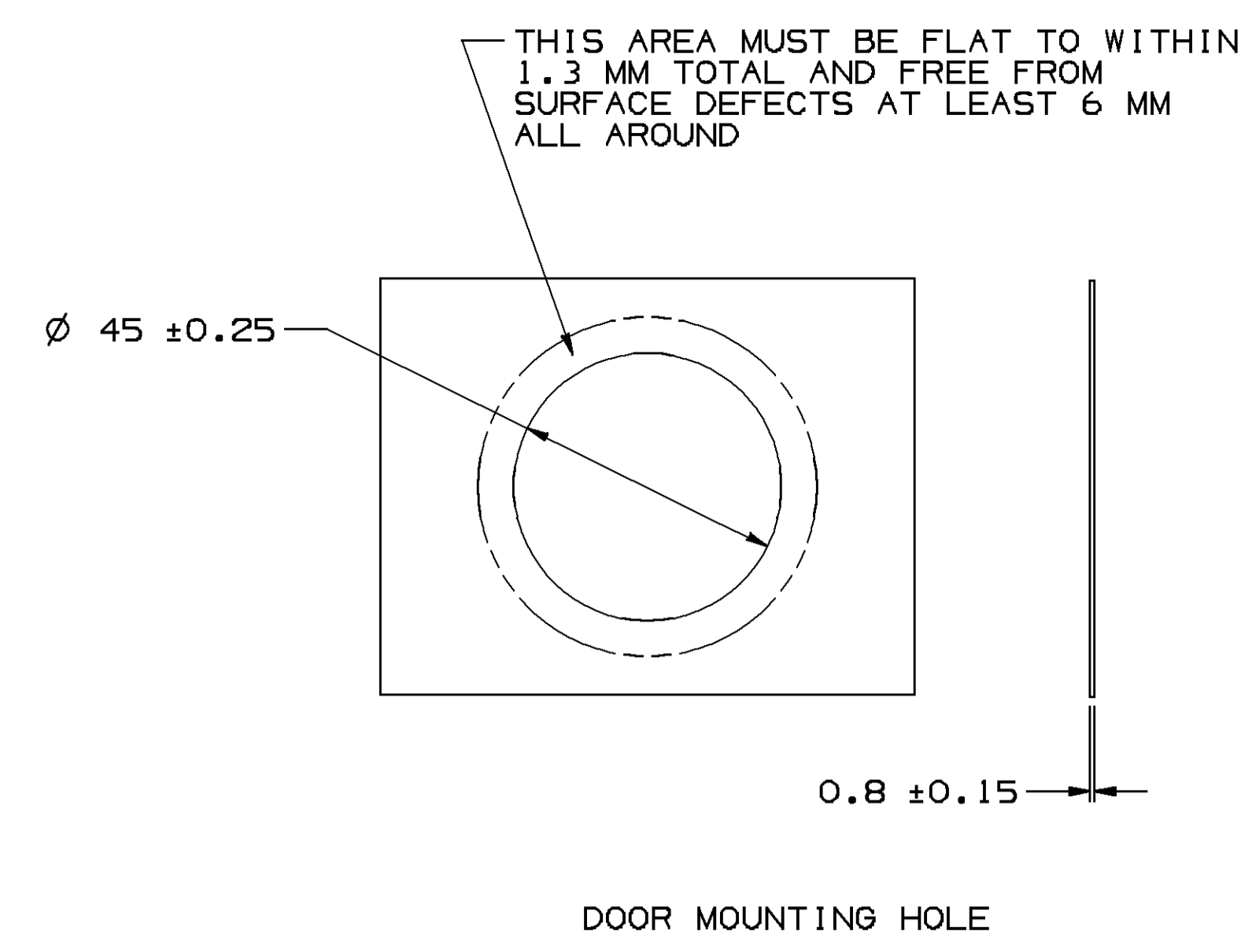
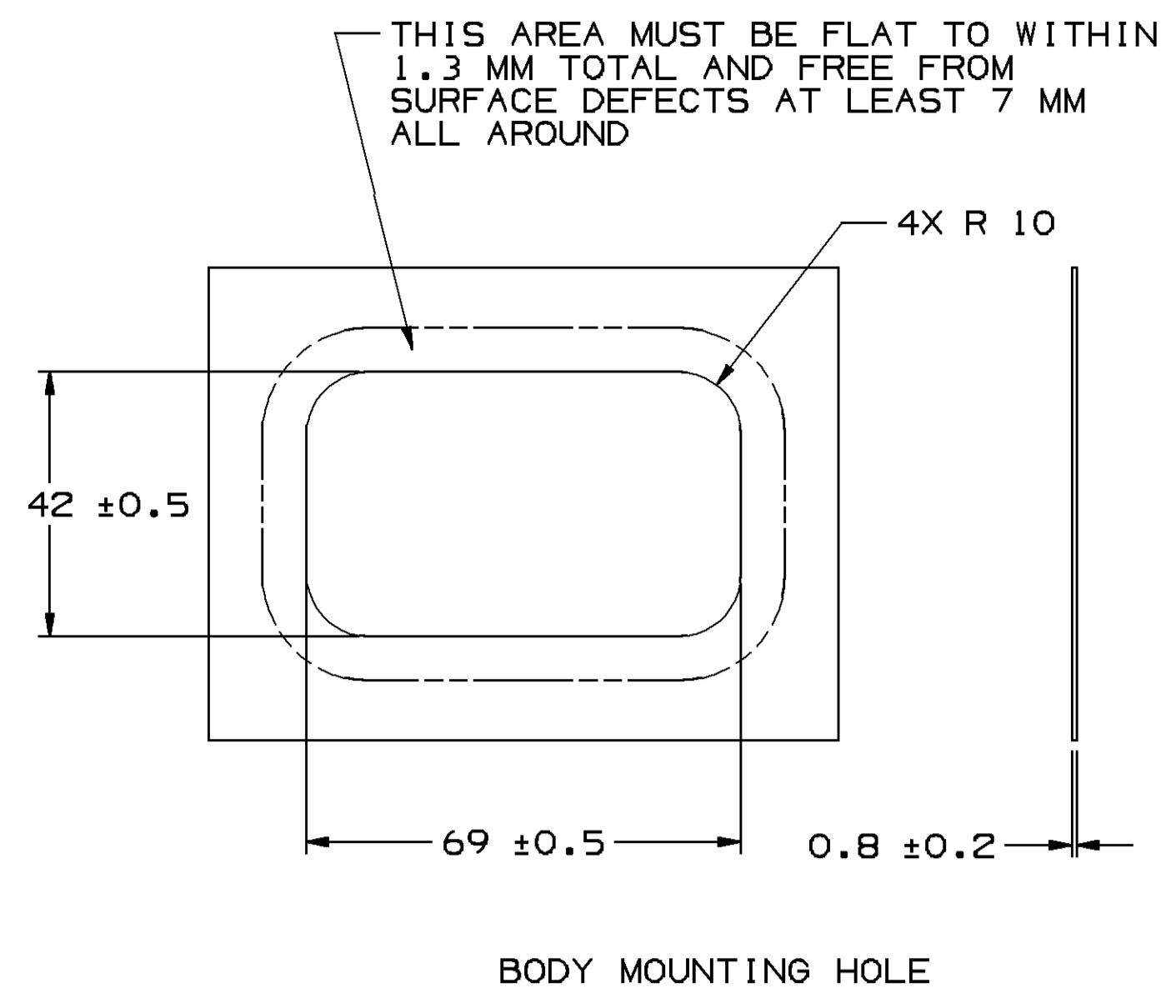


SYMBOL DEFINITION		MISSING SYMBOLS	
A DIMENSION WITHOUT AN INSPECTION REPORT SYMBOL ○ DOES NOT REQUIRE INSPECTION. IT MAY BE CONTROLLED ON THE INDIVIDUAL COMPONENT DRAWING.	TOTAL NO OF INSPECTIONS REQUIRED	5	NO MISSING SYMBOL NUMBER
	LAST NO. USED	5	

DWG STATUS				REVISION HISTORY				AUTH	
DATE	STG	REV	N/P	CHG	ZONE				
270C06	R	01	-	-		RELEASED		286107	EES/EES/JAS



- NOTES**
- UNLESS OTHERWISE SPECIFIED AND/OR INDICATED:
DIMENSIONS ARE TO FACE OF VIEW SHOWN AND AUTOMATICALLY ROUNDED BY COMPUTER FOR INSPECTION (SEE MATH MODEL FOR PRECISE DIMENSIONS). FOR ALL OTHER DIMENSIONS NOT SHOWN BUT REQUIRED FOR TOOL BUILD, SEE MATH MODEL FOR PRECISE TOOL PATH DATA.
 - THIS PART IS NOT CONTROLLED FOR AUTOMATIC FEEDING.
 - PART IS SYMMETRICAL ABOUT CENTERLINES EXCEPT AS NOTED.
 - SEALING SURFACES MUST BE FREE OF SINKS, Voids, KNIT/FLOW LINES, ETC.

PART NO	GROMMET	RETAINER A	RETAINER B
13589633	13589632	15401215	15479868

PART DRAWING	
STYLE	D
VOLUME (QTY)	DISTR CODE
UNLESS OTHERWISE SPECIFIED	
THIS DOCUMENT IS IN ACCORDANCE WITH ASME Y14.5M-1994 AS MODIFIED BY THE IN-SOURCE DIMENSIONING AND TOLERANCE ADDENDUM-2001. SEPARATE NOTATIONS OF FEATURES MAY BE BASED SEPARATELY PER DELPHI 10947001 REFERENCES.	
ALL DIMENSIONS ARE IN MILLIMETERS	

DELPHI
DELPHI PACKARD ELECTRIC SYSTEMS
WARREN, OH

DR	DATE
APV01 E. SEIDEL	270C06
APV02 E. SEIDEL	270C06
APV03 J. SVETTE	300C06
APV04	
APV05	

SUBSTANCES OF CONCERN AND RECYCLED CONTENT PER DELPHI 10947001

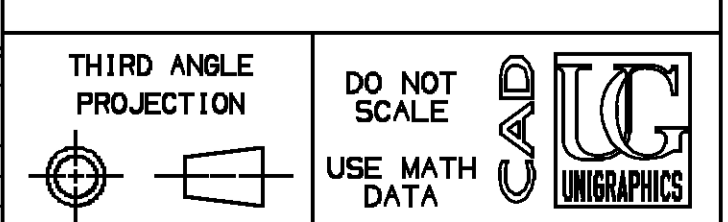
MATERIALS SEE DRAWINGS

DRAWING NAME: GROM DOOR CDT

DRAWING NUMBER: 13589633

SIZE	SCALE	FRAME NO	SHEET NO	STG	REV	N/P
A0	1:1	1	1	1	R	01

PROCESS SENSITIVE DIMENSION	
DIMENSIONS ENCLOSED IN () INDICATE REFERENCE DIMENSIONS AND NO TOLERANCE LIMITS ARE ESTABLISHED	
DIMENSIONAL RANGE (MM)	CHART
FROM	>0
TO	>25
	>50
	>80
TOLERANCE UNLESS OTHERWISE SPECIFIED	
	±0.3
	±0.5
	±0.6
	±0.75
	ANGULAR TOLERANCE: ±2°



Mouser Electronics

Authorized Distributor

Click to View Pricing, Inventory, Delivery & Lifecycle Information:

[Aptiv:](#)

[13589633](#)