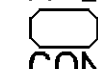
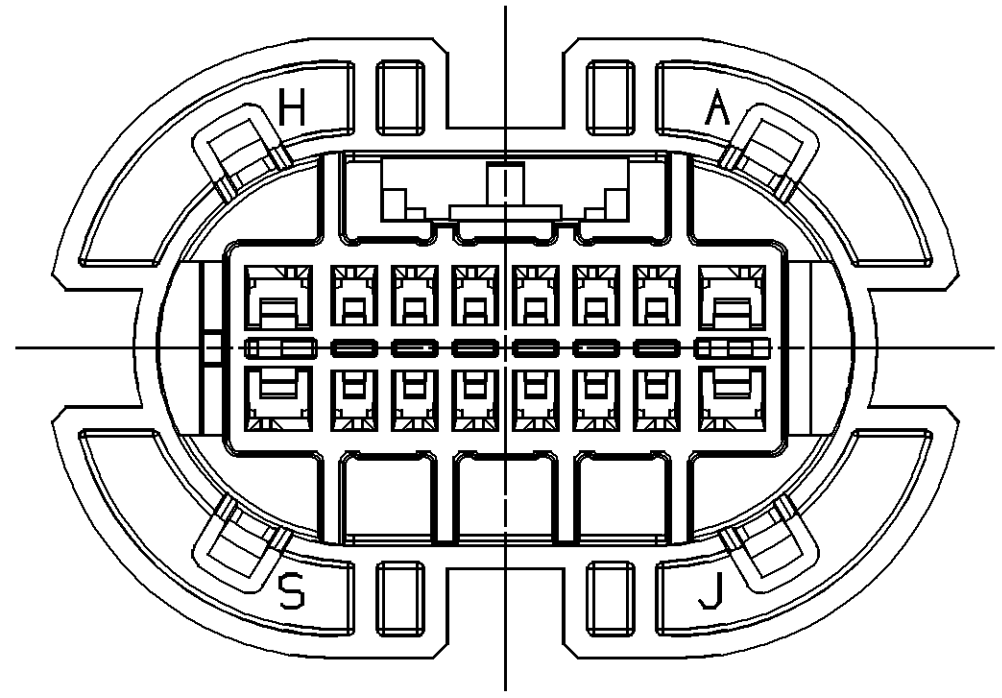
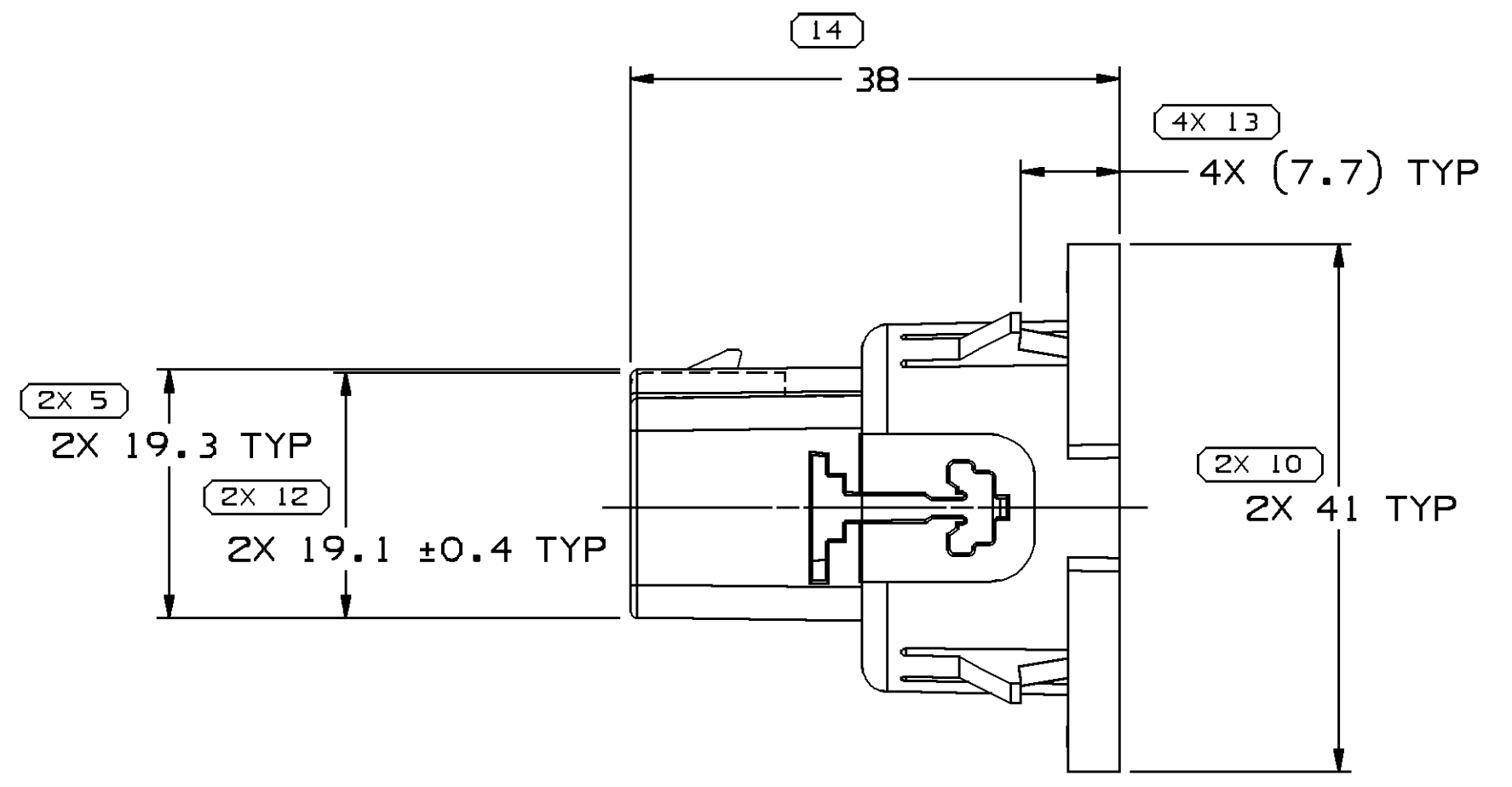
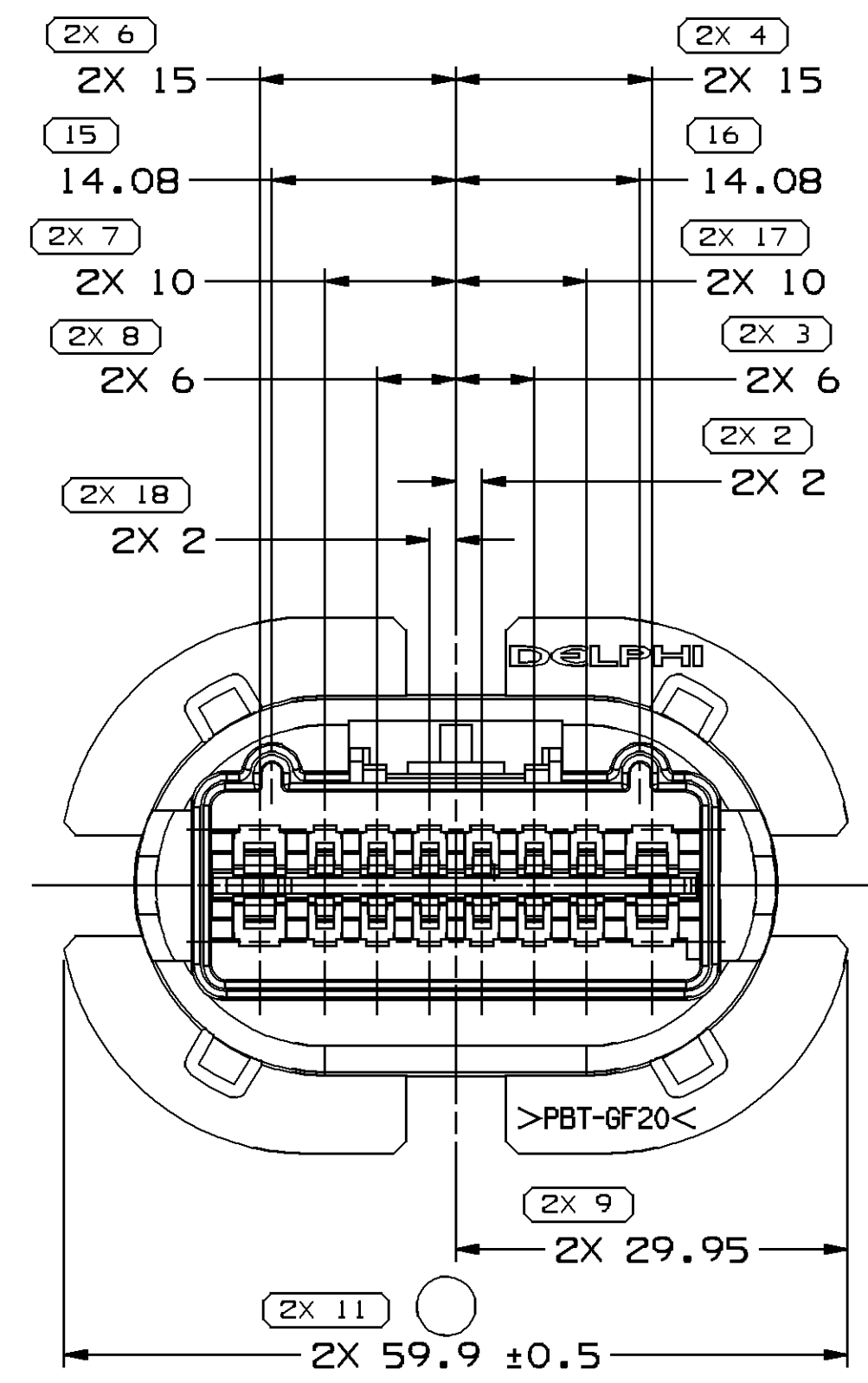
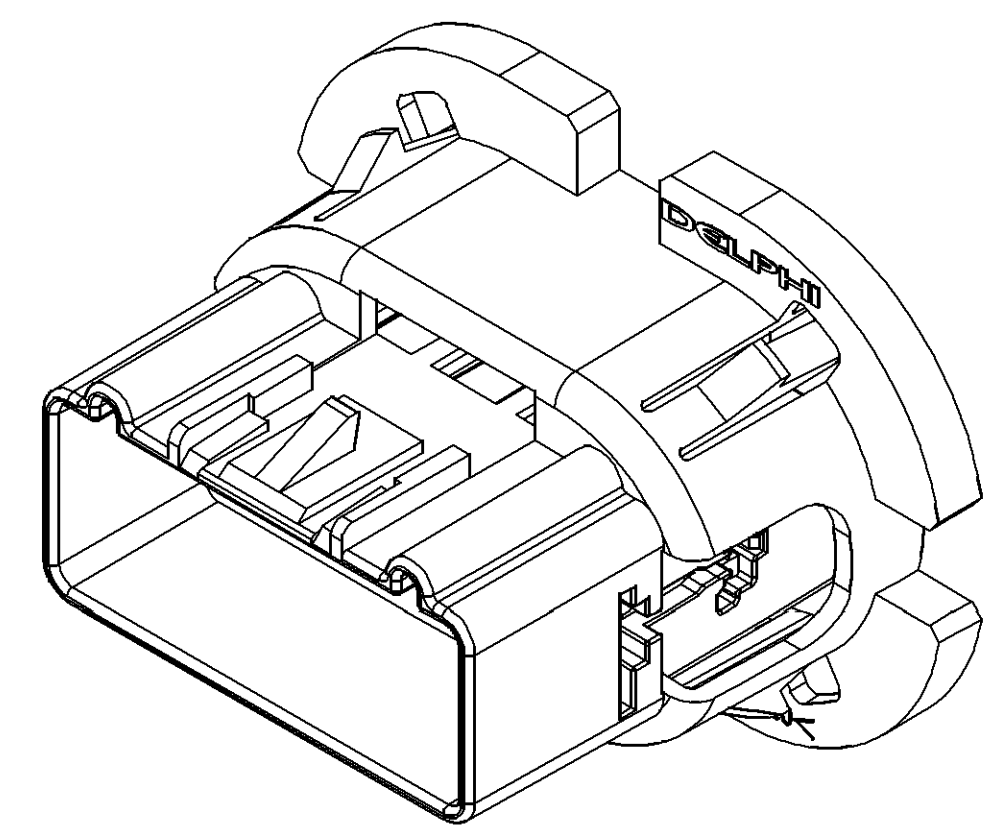
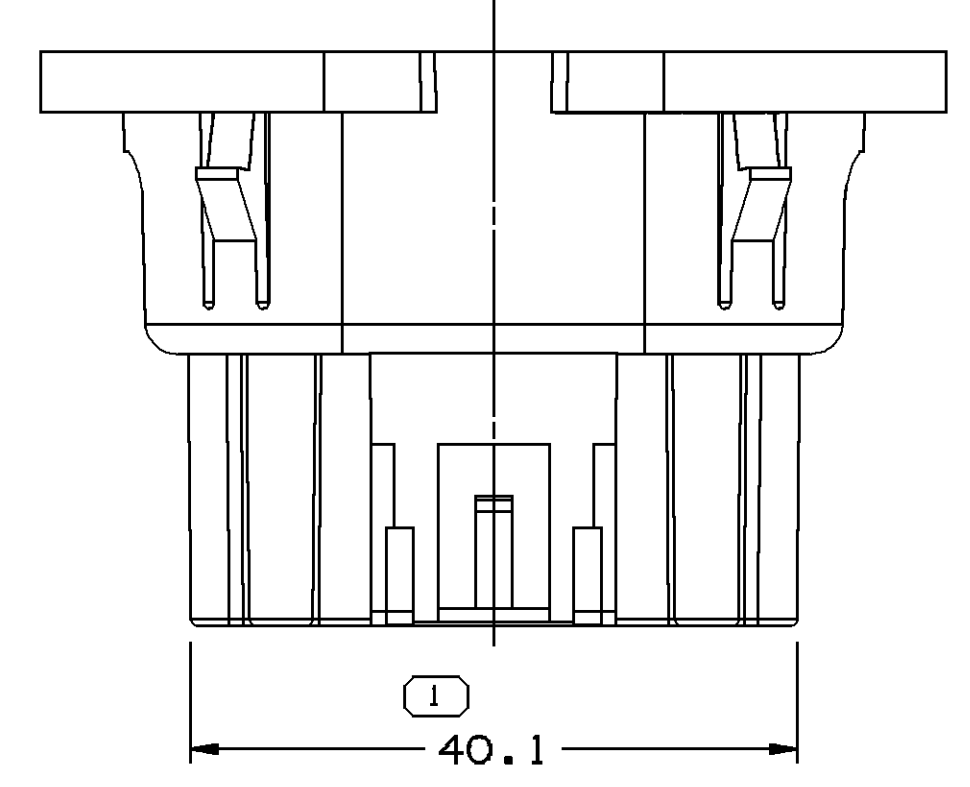


SYMBOL DEFINITION	
A DIMENSION WITHOUT AN INSPECTION REPORT SYMBOL  DOES NOT REQUIRE INSPECTION. IT MAY BE CONTROLLED ON THE INDIVIDUAL COMPONENT DRAWING.	TOTAL NO OF INSPECTIONS REQUIRED
	34
	LAST NO. USED
	18

MISSING SYMBOLS					DWG STATUS		REVISION HISTORY		AUTH		DR		APVD	
NO MISSING SYMBOL NUMBER	DATE	STG	REV	N/P	CHG	ZONE	RELEASED	284727	MM	MM	MM	MM	MM	MJC
	03AP06	R	01	-	-		RELEASED	278549	PCP	PCP	PCP	PCP	PCP	MJC
	050C06	R	01	AA	-		2X 59.9 ±0.5 WAS 2X 59.9	284727	MM	MM	MM	MM	MM	MJC



NOTES

- UNLESS OTHERWISE SPECIFIED AND/OR INDICATED:  
DIMENSIONS ARE TO FACE OF VIEW SHOWN AND AUTOMATICALLY ROUNDED BY COMPUTER FOR INSPECTION (SEE MATH MODEL FOR PRECISE DIMENSIONS). FOR ALL OTHER DIMENSIONS NOT SHOWN BUT REQUIRED FOR TOOL BUILD, SEE MATH MODEL FOR PRECISE TOOL PATH DATA.
- MATERIAL RECYCLING CODE PER ISO 11469. (1.5)X(0.1) CHARACTERS AS SHOWN TO BE LOCATED ON ANY EXTERIOR SURFACE. OPTIONAL CONSTRUCTION TO BE NO MATERIAL RECYCLING CODE.
- REFERENCE MATING COMPONENTS OR EQUIVALENT:  
CONNECTOR - 13539999
- THIS PART ACCEPTS THE FOLLOWING COMPONENTS OR EQUIVALENT:  
CAVITIES B-G & K-R TO ACCEPT 15304701 TERMINAL OR EQUIVALENT. MAX INSULATION CRIMP MUST BE LESS THAN 3.15 HIGH AND 2.85 WIDE.  
CAVITIES A,H,J & S TO ACCEPT 15304723 TERMINAL OR EQUIVALENT. MAX INSULATION CRIMP MUST BE LESS THAN 4.05 HIGH AND 4.2 WIDE.  
GROMMET - 15482733  
SLIDE LOCK COVER (SLC) - 15336225
- (1.5)X(0.1) DELPHI CORPORATE BRAND TO BE LOCATED ON ANY EXTERIOR SURFACE, PREFERABLY VISIBLE AT FINAL ASSEMBLY. OPTIONAL CONSTRUCTION TO BE "PED" OR NO LOGO.

DIMENSIONAL RANGE (MM)		CHART ET	
FROM	> 0	> 30	> 70
TO	20	30	70
	100	150	200
	250	300	400
TOLERANCE UNLESS OTHERWISE SPECIFIED			
	±0.15	±0.2	±0.3
	±0.4	±0.5	±0.6
	±0.8	±1	±1.2
ANGULAR TOLERANCE ±2°			

DWG TYPE		PART DRAWING	
STYLE			
VOLUME (CPI)	15.579	DISTR CODE	D
UNLESS OTHERWISE SPECIFIED			
THIS DOCUMENT IS IN ACCORDANCE WITH ASME Y14.5M-1994 AS AMENDED BY THE 2001 GLOBAL DIMENSIONING AND TOLERANCING ADDENDUM-2001. SEPARATE PATTERNS OF FEATURES MAY BE GAGED SEPARATELY REGARDLESS OF DATUM REFERENCES.			
ALL DIMENSIONS ARE IN MILLIMETERS			
REFERENCE	13540000		
THIRD ANGLE PROJECTION	DO NOT SCALE	UNIGRAPHICS	
	USE MATH DATA		

**DELPHI**  
DELPHI PACKARD ELECTRIC SYSTEMS  
WARREN, OH

DR	DATE					
APVD1 P. C. PRIDMORE	03AP06					
APVD2 P. C. PRIDMORE	03AP06					
APVD3 M. CULP	03AP06					
APVD4						
APVD5						
SUBSTANCES OF CONCERN AND RECYCLED CONTENT PER DELPHI 10945001						
MATERIAL M4629003 PBT GF20 GRA						
DRAWING NAME						
CONN 16 M GT 150 280						
DRAWING NUMBER						
13579160						
SIZE	SCALE	FRAME NO	SHEET NO	STG	REV	N/P
A1	2:1	1 OF 1	1 OF 1	R	01	AA

# Mouser Electronics

Authorized Distributor

Click to View Pricing, Inventory, Delivery & Lifecycle Information:

[Aptiv:](#)

[13579160](#)