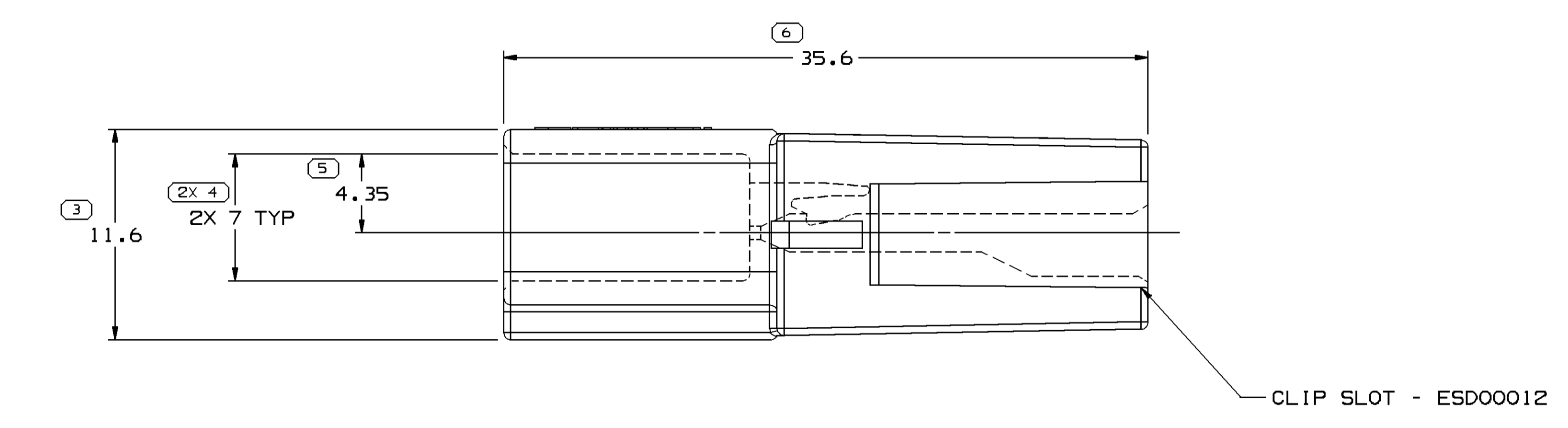
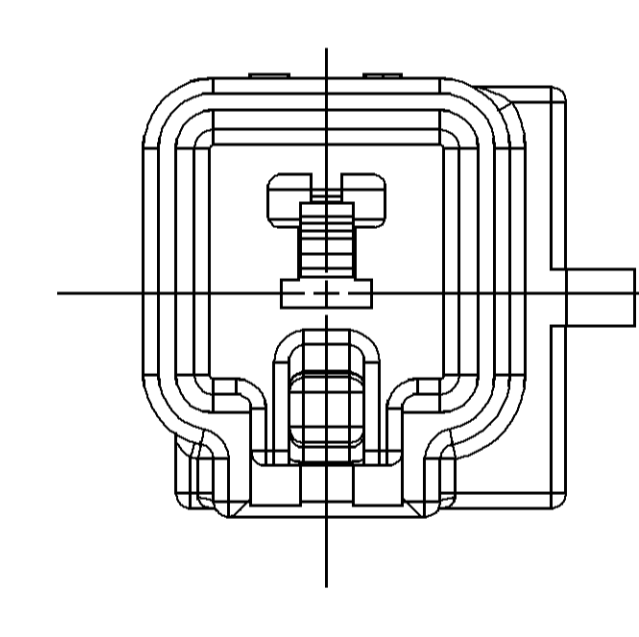
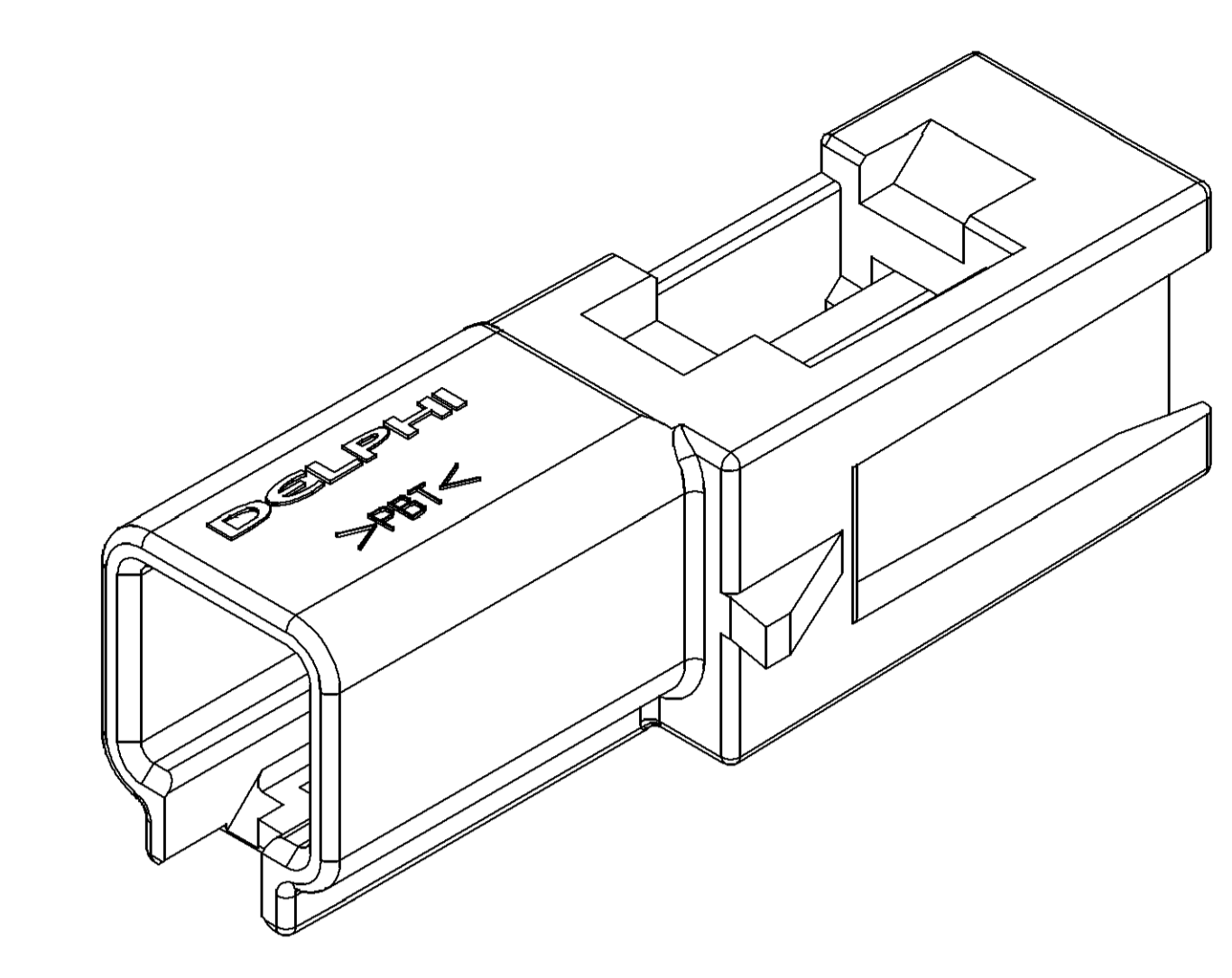
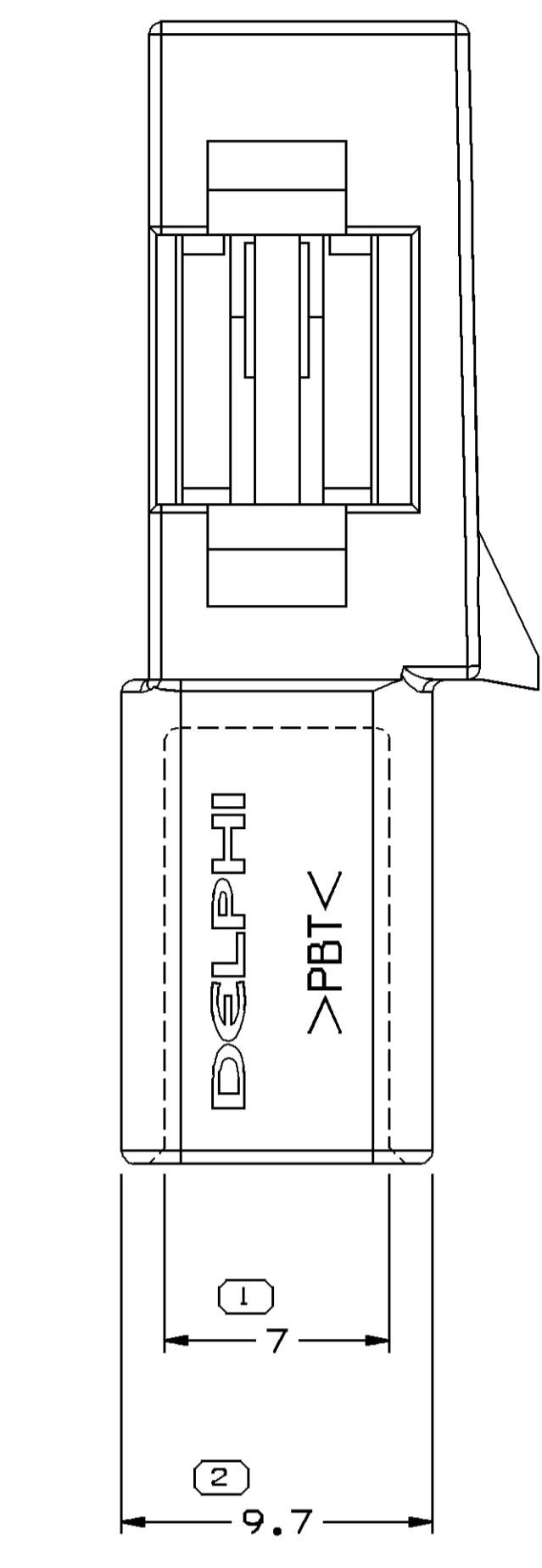


SYMBOL DEFINITION		MISSING SYMBOLS	
A DIMENSION WITHOUT AN INSPECTION REPORT SYMBOL DOES NOT REQUIRE INSPECTION. IT MAY BE CONTROLLED ON THE INDIVIDUAL COMPONENT DRAWING.	TOTAL NO OF INSPECTIONS REQUIRED	NO MISSING SYMBOL NUMBER	7
	LAST NO. USED		6

DWG STATUS				REVISION HISTORY				AUTH		DR		AP/VD	
DATE	STG	REV	N/P	CHG	ZONE								
24JL06	R	01	-	-	-	WAS PE154661 AND RELEASED				282876	CCV	AUG	CJF
04AP07	R	01	AA	-	-	UPDATED PDM ATTRIBUTES				401070	RMG	FRC	CJM



- NOTES
- UNLESS OTHERWISE SPECIFIED AND/OR INDICATED:
DIMENSIONS ARE TO FACE OF VIEW SHOWN AND AUTOMATICALLY ROUNDED BY COMPUTER FOR INSPECTION (SEE MATH MODEL FOR PRECISE DIMENSIONS). FOR ALL OTHER DIMENSIONS NOT SHOWN BUT REQUIRED FOR TOOL BUILD, SEE MATH MODEL FOR PRECISE TOOL PATH DATA.
 - THIS PART USED IN ASSEMBLY 13579062.
 - MATERIAL RECYCLING CODE PER ISO 11469. (11X10.1) CHARACTERS AS SHOWN TO BE LOCATED ON ANY EXTERIOR SURFACE.
 - THIS PART ACCEPTS THE FOLLOWING COMPONENTS OR EQUIVALENT:
SECONDARY TERMINAL LOCK - 13579064
 - (11X10.1) DELPHI CORPORATE BRAND TO BE LOCATED ON ANY EXTERIOR SURFACE, PREFERABLY VISIBLE AT FINAL ASSEMBLY. OPTIONAL CONSTRUCTION FOR EXISTING TOOLING MAY BE "PED".

DWG TYPE		PART DRAWING																			
STYLE		DISTR CODE	D																		
VOLUME 10/PI	2,005																				
UNLESS OTHERWISE SPECIFIED THIS DOCUMENT IS IN ACCORDANCE WITH ASME Y14.5M-1994 AS MODIFIED BY THE MDCS. DIMENSIONS AND TOLERANCES UNLESS OTHERWISE SPECIFIED SHALL BE IN MILLIMETERS. FEATURES MAY BE OBTAINED SEPARATELY REGARDLESS OF DIMENSIONAL REFERENCES.																					
ALL DIMENSIONS ARE IN MILLIMETERS																					
REFERENCE																					
<table border="1"> <thead> <tr> <th>DIMENSIONAL RANGE (MM)</th> <th>CHART</th> <th>F</th> </tr> </thead> <tbody> <tr> <td>FROM 0</td> <td>> 10</td> <td></td> </tr> <tr> <td>TO 10</td> <td>50</td> <td></td> </tr> <tr> <td>TOLERANCE UNLESS OTHERWISE SPECIFIED</td> <td></td> <td></td> </tr> <tr> <td>+0.15</td> <td>+0.2</td> <td></td> </tr> <tr> <td>ANGULAR TOLERANCE ±1°</td> <td></td> <td></td> </tr> </tbody> </table>				DIMENSIONAL RANGE (MM)	CHART	F	FROM 0	> 10		TO 10	50		TOLERANCE UNLESS OTHERWISE SPECIFIED			+0.15	+0.2		ANGULAR TOLERANCE ±1°		
DIMENSIONAL RANGE (MM)	CHART	F																			
FROM 0	> 10																				
TO 10	50																				
TOLERANCE UNLESS OTHERWISE SPECIFIED																					
+0.15	+0.2																				
ANGULAR TOLERANCE ±1°																					
THIRD ANGLE PROJECTION		DO NOT SCALE																			
USE MATH DATA																					

DELPHI
DELPHI PACKARD ELECTRICAL/ELECTRONIC ARCHITECTURE
WARREN, OH

DR	DATE
APV01 CESAR CERVANTES	24JL06
APV02 ARNULFO UGALDE	26JL06
APV03 CAROL FITCH	27JL06
APV04	
APV05	

SUBSTANCES OF CONCERN AND RECYCLED CONTENT PER DELPHI 1094001

MATERIAL: W4695002 PBT BLK

DRAWING NAME:
CONN 1 M 090 11 BLK

DRAWING NUMBER:
13579063

SIZE	SCALE	FRAME NO	SHEET NO	STG	REV	N/P	AA
A0	5:1	1	1	1	1	01	AA

Mouser Electronics

Authorized Distributor

Click to View Pricing, Inventory, Delivery & Lifecycle Information:

[Aptiv:](#)

[13579063](#)