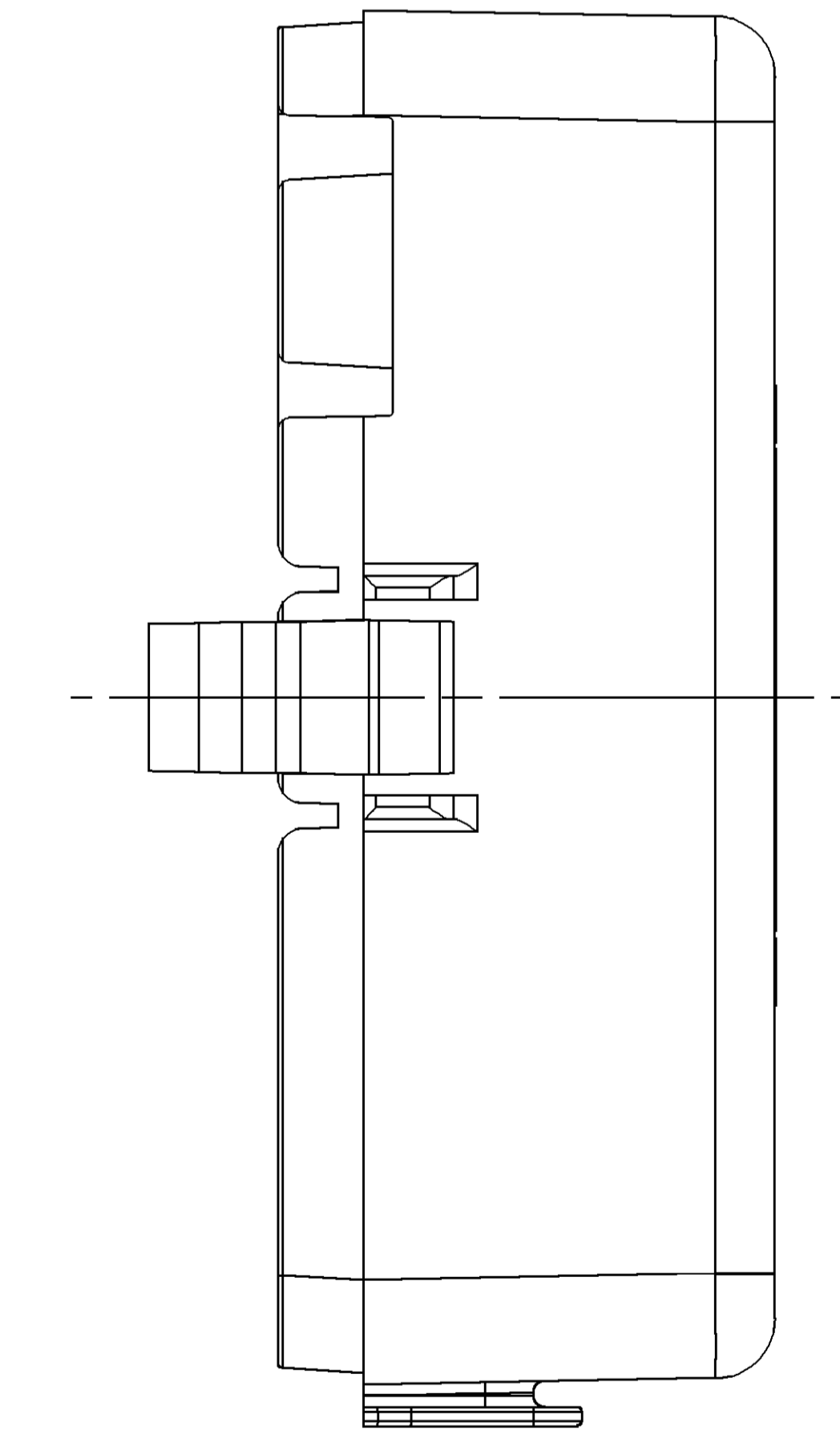
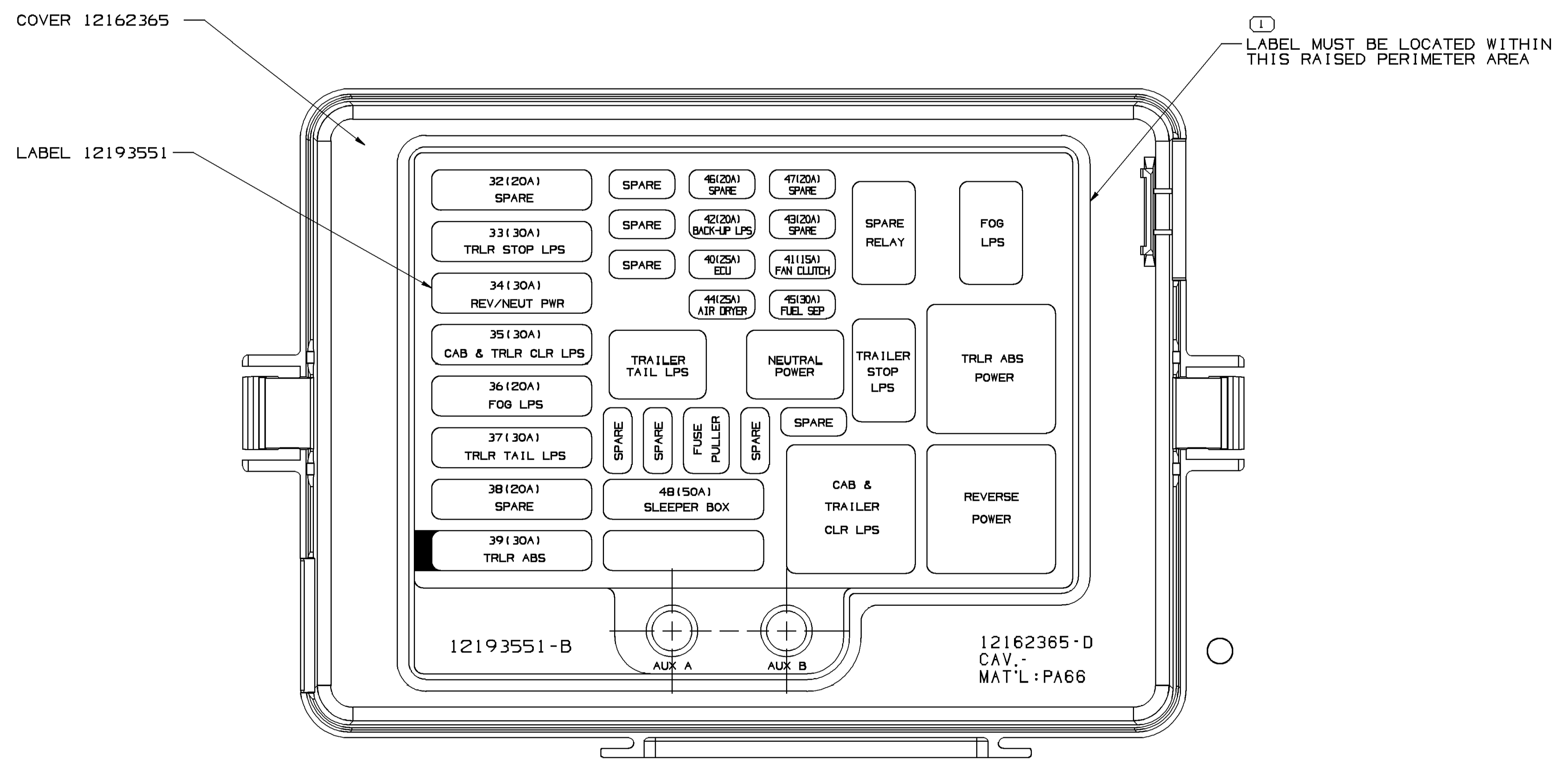
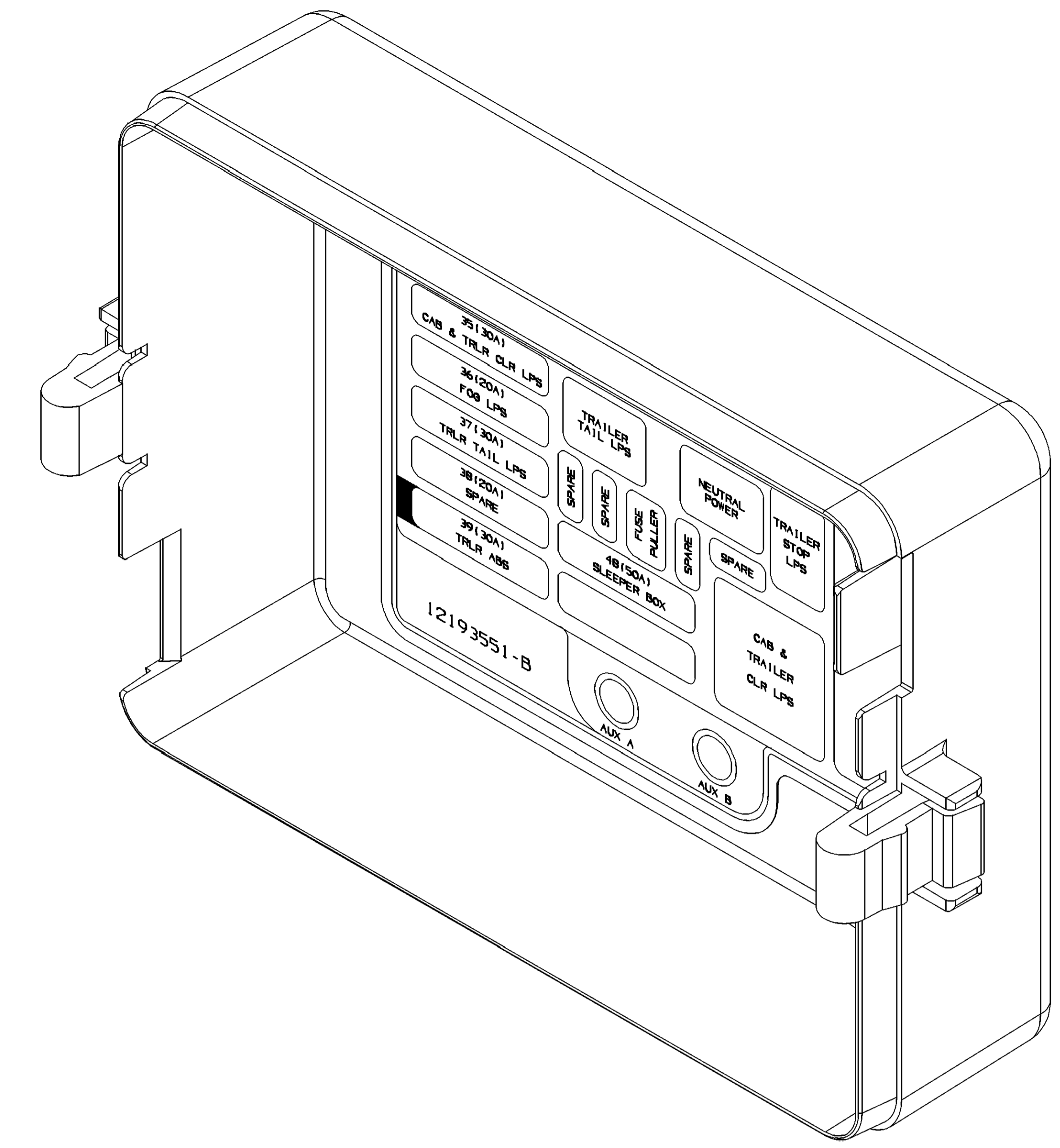
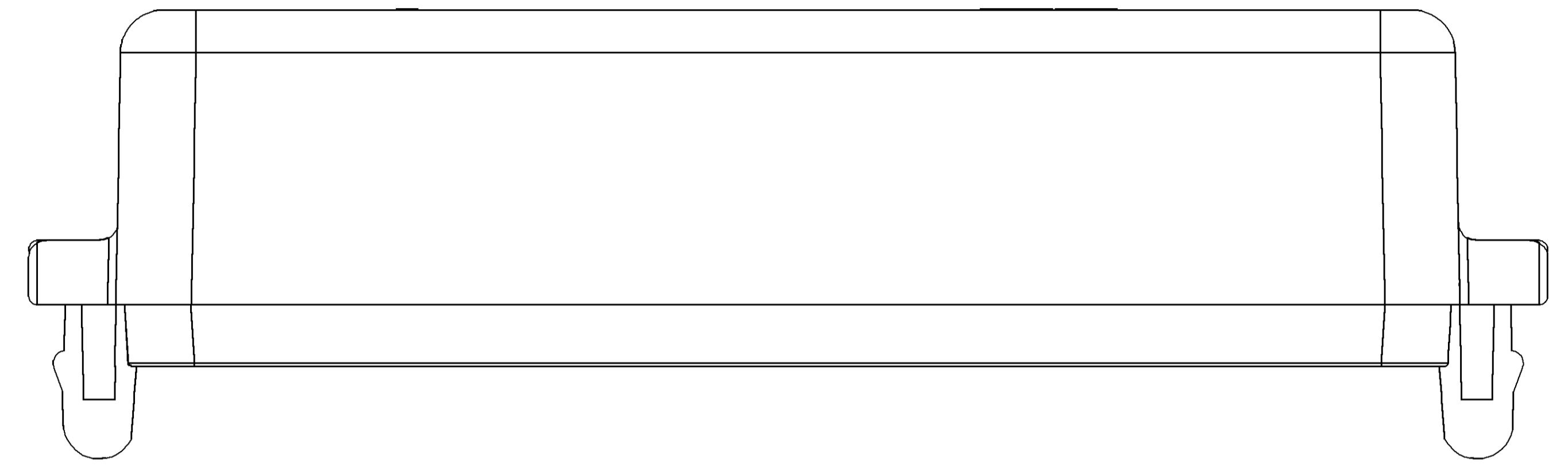


SYMBOL DEFINITION		MISSING SYMBOLS		DWG STATUS				REVISION HISTORY				AUTH		DR		APVD	
A DIMENSION WITHOUT AN INSPECTION REPORT SYMBOL DOES NOT REQUIRE INSPECTION. IT MAY BE CONTROLLED ON THE INDIVIDUAL COMPONENT DRAWING.		TOTAL NO OF INSPECTIONS REQUIRED	NO MISSING SYMBOL NUMBER	DATE	STG	REV	IN/P	CHG	ZONE	Cleared Rev Column, Redrawn to PD and Updated Cover				414319	AHT	JAA	BEM
		1		26MAY11	R	A1	-	-									
		LAST NO. USED															
			1														



- NOTES:
- UNLESS OTHERWISE SPECIFIED AND/OR INDICATED: DIMENSIONS ARE TO FACE OF VIEW SHOWN AND AUTOMATICALLY ROUNDED BY COMPUTER FOR INSPECTION. (SEE MATH MODEL FOR PRECISE DIMENSION) FOR ALL OTHER DIMENSIONS NOT SHOWN BUT REQUIRED FOR TOOL BUILD, SEE MATH MODEL FOR PRECISE TOOL PATH DATA.
  - LABEL TO BE APPLIED TO INSIDE MARKED AREA OF THE 12162365 COVER, AND SHOULD NOT EXTEND BEYOND THIS.
  - COVER SURFACE MUST BE FREE OF DIRT, OIL, RESIDUES, ETC., PRIOR TO APPLICATION OF LABEL.
  - LABEL ADHESION TO COVER MUST MEET REQUIREMENTS OF GM SPEC GM 6121-M(B) & GM 6241M-TYPE 1B. / MATERIAL SPEC. M1B92001
  - THIS PART MATES TO 12146281 WHEN USED WITH 12146286.
  - THIS PRODUCT IS NOT CATEGORIZED AS AN APPEARANCE ITEM, MINOR IMPERFECTIONS INCLUDING, BUT NOT LIMITED TO, FLOW MARKS, COLOR BLEMISHES, GATE VESTIGE, AND SOFT FLASH THAT DO NOT AFFECT THE FIT, FORM, OR FUNCTION OF THE PART ARE PERMISSIBLE PER DPNP-4.7-CS-01.

DWG TYPE		PART DRAWING	
STYLE		DISTR CODE	D
VOLUME (OMP)			
UNLESS OTHERWISE SPECIFIED			
THIS DOCUMENT IS IN ACCORDANCE WITH ASME Y14.5M-1994 AS MODIFIED BY THE GM GLOBAL DIMENSIONING AND TOLERANCING ADDENDUM-2001. SEPARATE PATTERNS OF FEATURES MAY BE SHOWN SEPARATELY, REGARDLESS OF DATUM REFERENCES.			
ALL DIMENSIONS ARE IN MILLIMETERS			
DIMENSIONS ENCLOSED IN ( ) INDICATE REFERENCE DIMENSIONS AND NO TOLERANCE LIMITS ARE ESTABLISHED			
DIMENSIONAL PRACTICE: UNIFORM		CHART: B	
ALL DIMENSIONS TOLERANCE UNLESS OTHERWISE SPECIFIED: ±0.5			
ANGULAR TOLERANCE: ±2°			
THIRD ANGLE PROJECTION		DO NOT SCALE	
USE MATH DATA		USE MATH DATA	

**DELPHI**  
DELPHI PACKARD ELECTRICAL/ELECTRONIC ARCHITECTURE  
WARREN, OH

DR	DATE
APV01 M. PANJU	27J97
APV02 TOM PITTS	11FE97
APV03 MARCUS CHUCH	14FE97
APV04	
SUBSTANCES OF CONCERN AND RECYCLED CONTENT: PER DELPHI (094490)	
MATERIAL: SEE DRAWING	
DRAWING NAME: ASM COV ELEC CTR	
DRAWING NUMBER: 12193552	
SIZE: A0	SCALE: 2:1
FRAME NO: 1	SHEET NO: 1 OF 1
STG: R	REV: A1
IN/P: -	CHG: -

12193552-00001-001 Date: 08-Jun-11 Time: 09:51

# Mouser Electronics

Authorized Distributor

Click to View Pricing, Inventory, Delivery & Lifecycle Information:

[Aptiv:](#)

[12193552](#)