
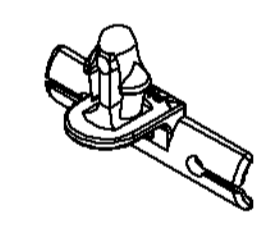
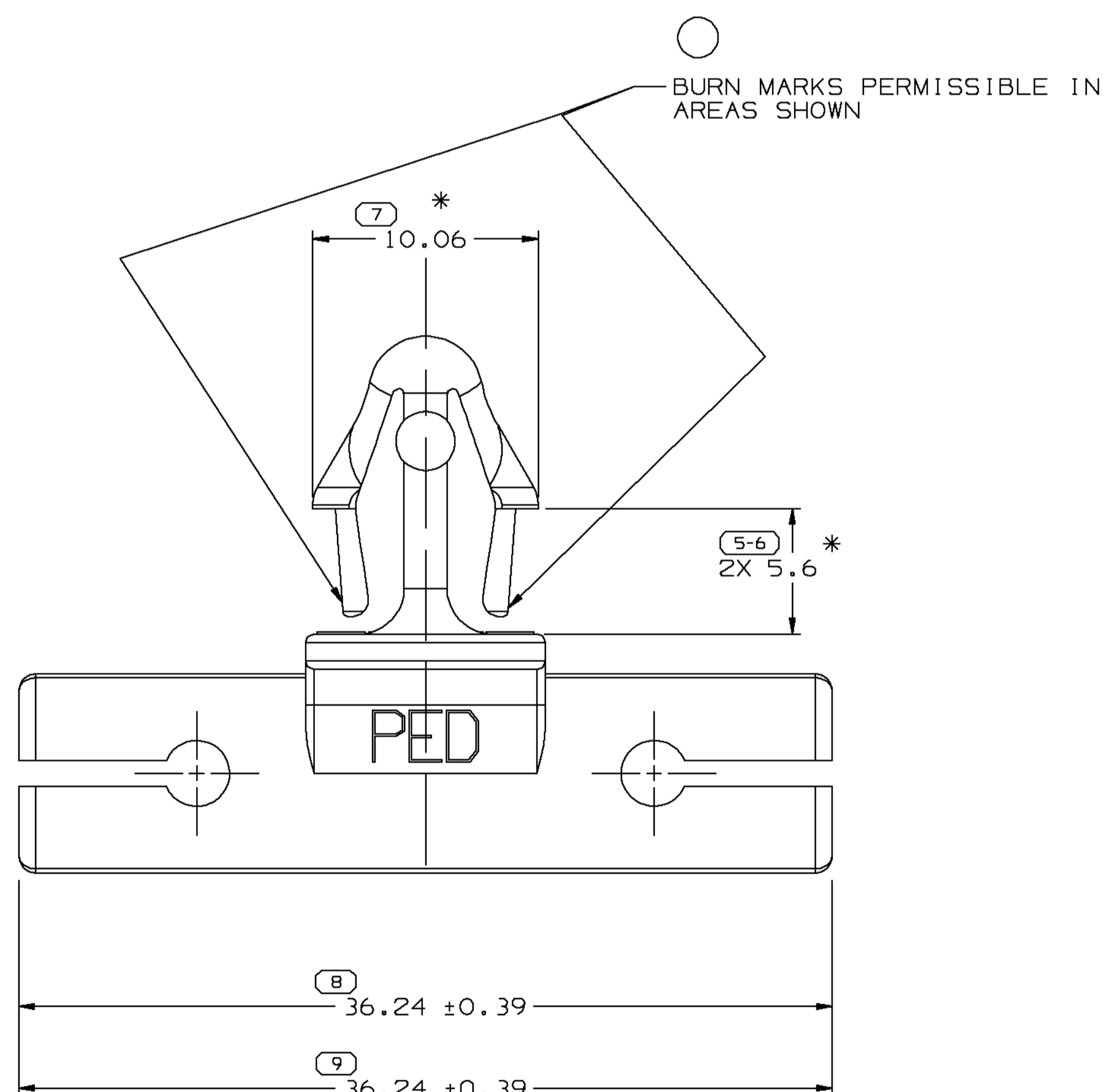
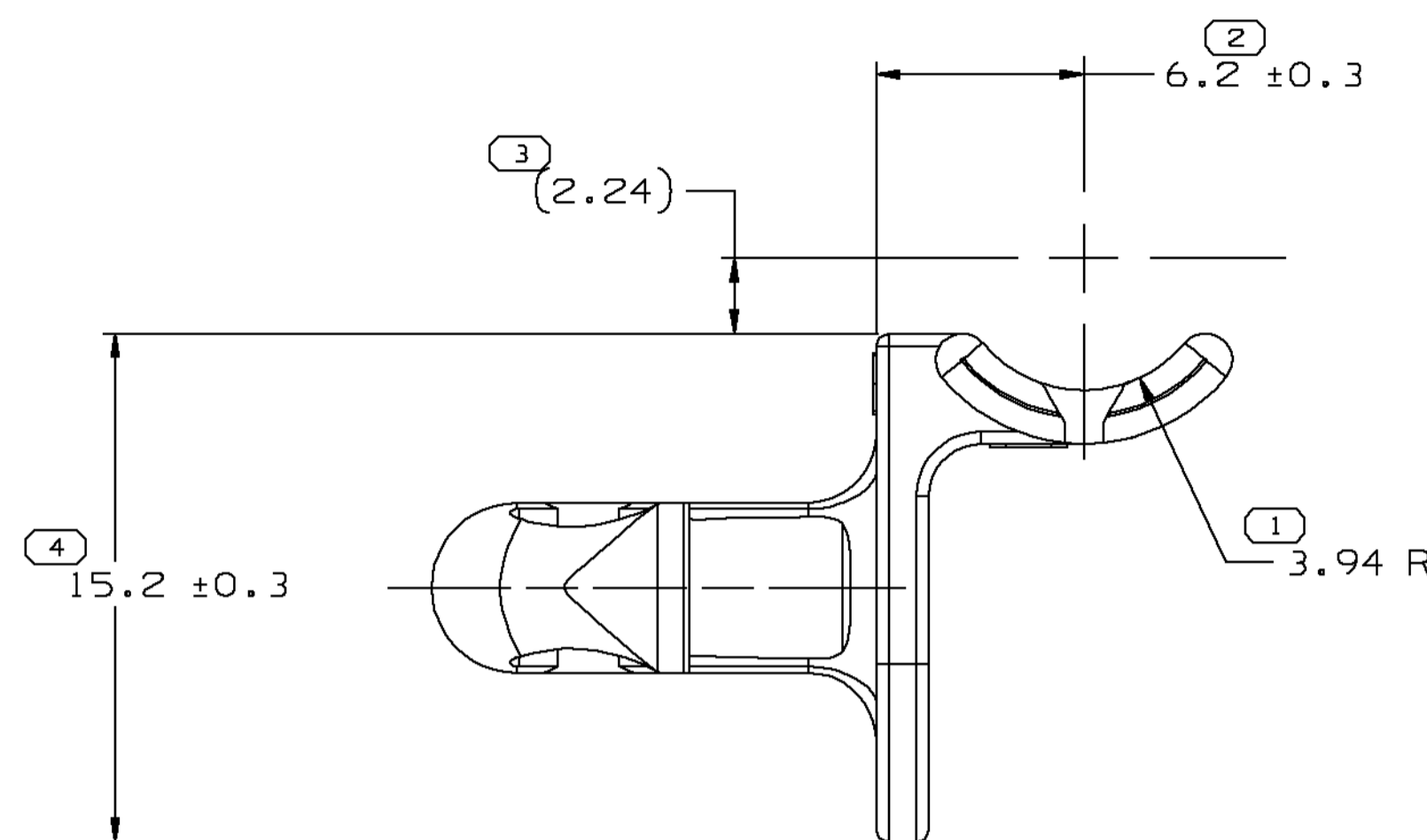
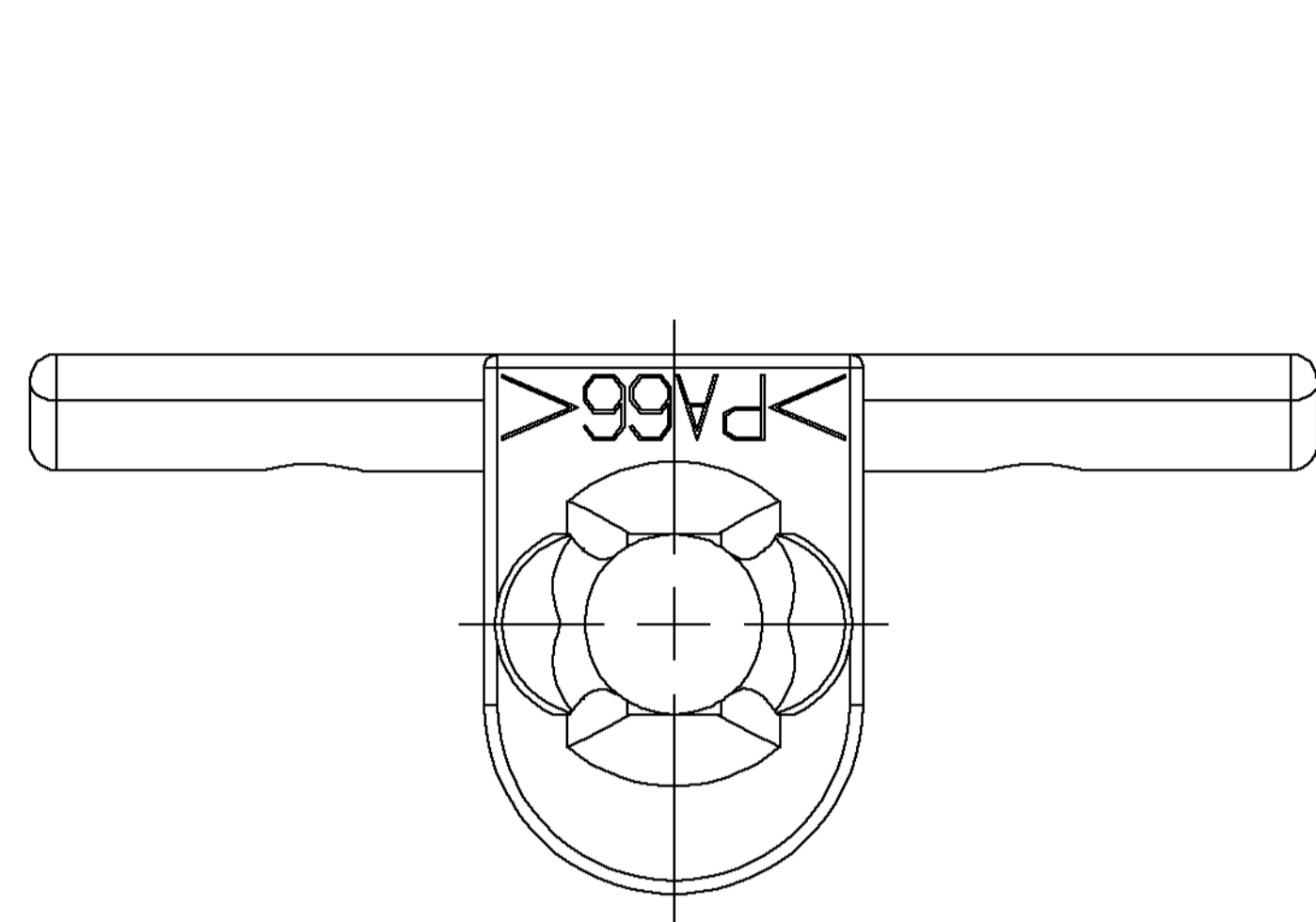


SYMBOL DEFINITION				MISSING NUMBERS		DWG STATUS					REVISION HISTORY				AUTH	DR	CK	APVD
DATE	STG	REV	CHG	N/P	ZONE	DATE	STG	REV	CHG	N/P	ZONE	DATE	STG	REV	CHG	N/P	ZONE	
A DIMENSION WITHOUT AN INSPECTION REPORT SYMBOL  DOES NOT REQUIRE INSPECTION. IT MAY BE CONTROLLED ON AN INDIVIDUAL COMPONENT DRAWING				TOTAL NO. OF SYMBOLS ON DRAWING	8	14FE01	R	A1	-	-			CLEARED REV COL, REDRAWN	205725	JMR	JMR	ET	
				LAST NO. USED	9	2BMR01	R	A2	-	-			REVISED NOTE ON RECYCLE SYMBOL	208301	CJC	CJC	ET	
						31JL01	R	A3	-	-			REVISED BOW NOTE AND ADDED RECYCLE SYMBOL	212553	HAM	HAM	ET	
						08AU01	R	A4	-	-			UPDATED PDM ATTRIBUTES	212971	TSH	TSH	ET	
						20AU01	R	A5	-	-			ADDED BURN MARKS NOTE	213437	HAM	HAM	ET	



NOTES

- UNLESS OTHERWISE SPECIFIED AND/OR INDICATED: DIMENSIONS ARE TO FACE OF VIEW SHOWN AND AUTOMATICALLY ROUNDED BY COMPUTER FOR INSPECTION (SEE MATH MODEL FOR PRECISE DIMENSIONS). FOR ALL OTHER DIMENSIONS NOT SHOWN BUT REQUIRED FOR TOOL BUILD, SEE MATH MODEL FOR PRECISE TOOL PATH DATA.
- RECOMMENDED HOLE SIZE FOR ROSE-BUD 6.60-6.10 DIA HOLE IN 3.81 MAX THICK STOCK.
- THIS PART IS NOT CONTROLLED FOR AUTOMATIC FEEDING.
- DIMENSIONS MARKED WITH * MAY VARY -0.60 DUE TO BOW.

9 PROCESS SENSITIVE DIMENSION
DIMENSIONS ENCLOSED IN () INDICATE REFERENCE DIMENSIONS AND NO TOLERANCE LIMITS ARE ESTABLISHED

FROM TO	DIMENSIONAL RANGE (MM)								CHART ET
	0-20	20-30	30-70	70-100	100-150	150-200	200-250	250-300	
TOLERANCE UNLESS OTHERWISE SPECIFIED									
±0.15 ±0.2 ±0.3 ±0.4 ±0.5 ±0.6 ±0.8 ±1 ±1.2									
ANGULAR TOLERANCE ± 2°									

DELPHI
Automotive Systems

MATERIAL SPEC
R0071754 NYLON 66 HS IM BLACK

SUBSTANCES OF CONCERN AND RECYCLED CONTENT PER DELPHI-A 10949001

PART DRAWING

CODE NUMBER 6901
DWG DATE 24FE95
SCALE 5:1
QC SPEC
STYLE
VOLUME cm³ 1.006

PART GEOMETRY 3D SOLID
UNLESS OTHERWISE SPECIFIED:
THIS DOCUMENT IS IN ACCORDANCE WITH ASME Y14.5M - 1994 AS AMENDED BY THE GM GLOBAL DIMENSIONING AND TOLERANCING ADDENDUM - 1997. ALL GEOMETRIC TOLERANCES AND RELATED DATUMS APPLY RFS. RULE #1 (PERFECT FORM AT MMC) DOES NOT APPLY WHEN RELATIONSHIP BETWEEN FEATURES IS ESTABLISHED BY ORIENTATION OR LOCATION TOLERANCES. SEPARATE POSITION CALLOUTS MAY BE GAGED SEPARATELY REGARDLESS OF DATUM REFERENCES.

UG
CHANGE RESTRICTED
NO MANUAL CHANGES

COPY OF MATH DATA DO NOT SCALE

METRIC
UNLESS OTHERWISE SPECIFIED, ALL DIMENSIONS ARE IN MILLIMETERS

THIRD ANGLE PROJECTION

DRAWING NAME
CLIP - HARN

SHEET NUMBER 1 OF 1
DRAWING NUMBER 12186010
DWG STATUS R A5 -
SIZE A1

Mouser Electronics

Authorized Distributor

Click to View Pricing, Inventory, Delivery & Lifecycle Information:

[Aptiv:](#)

[12186010](#)