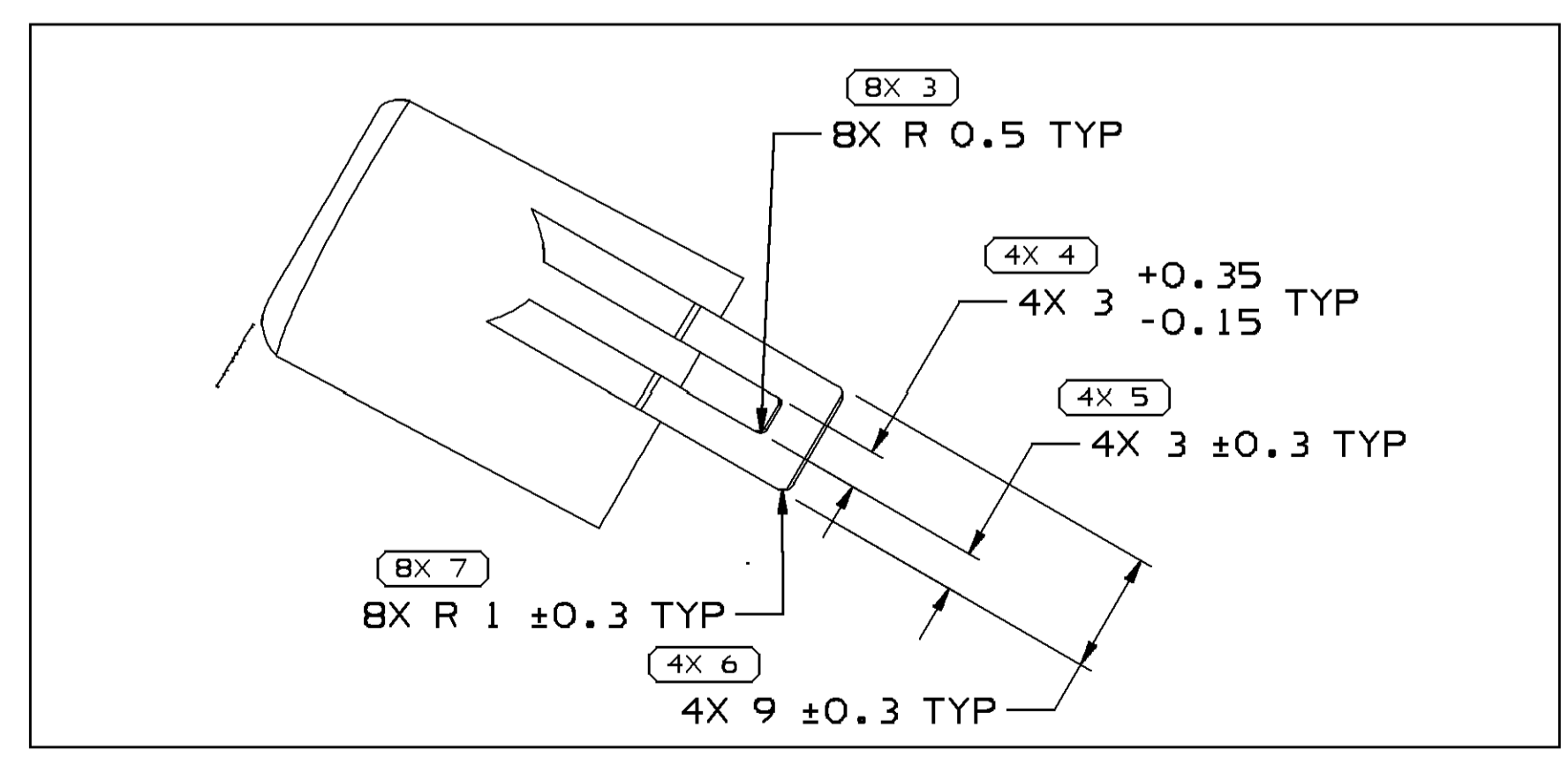
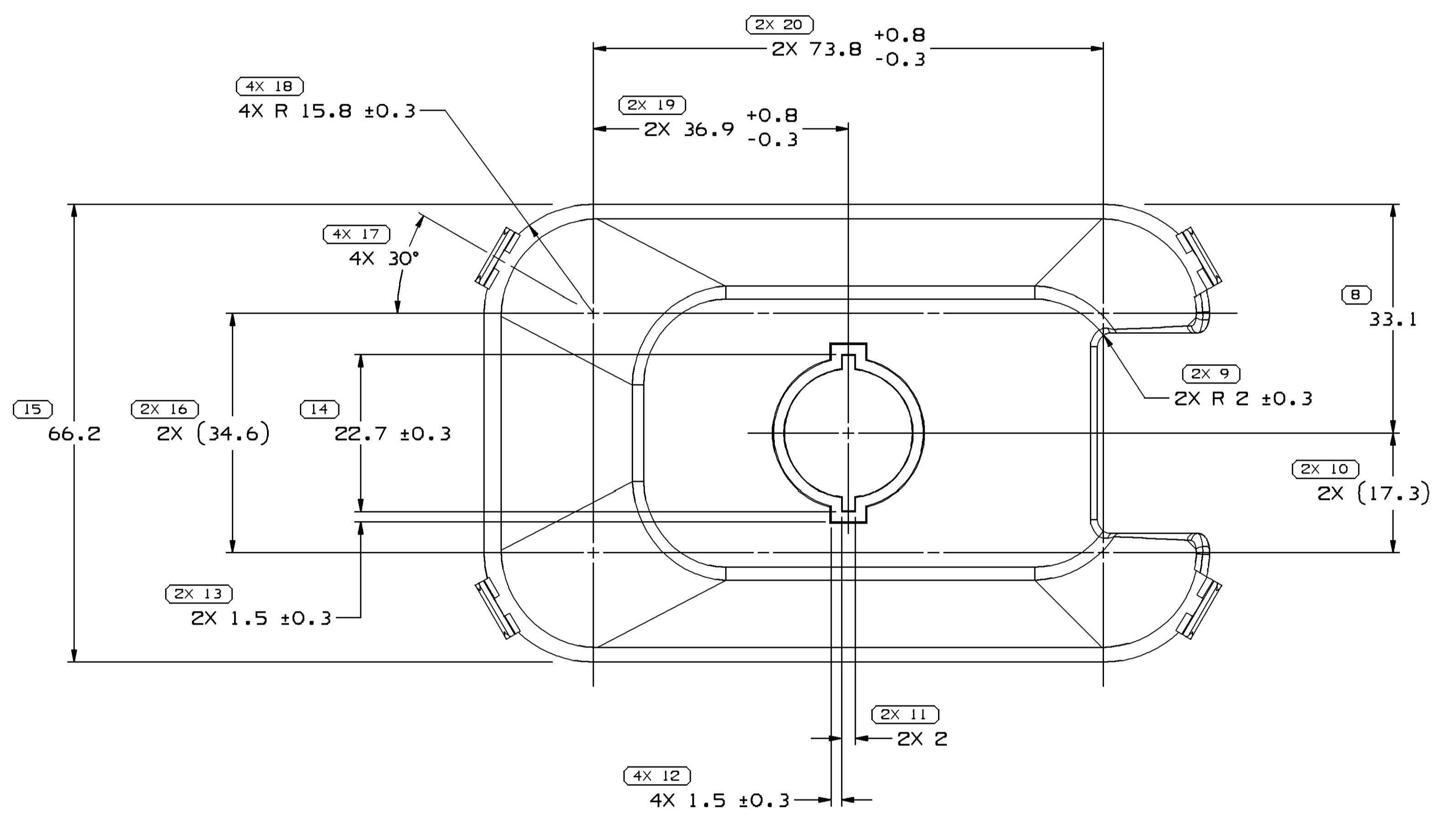
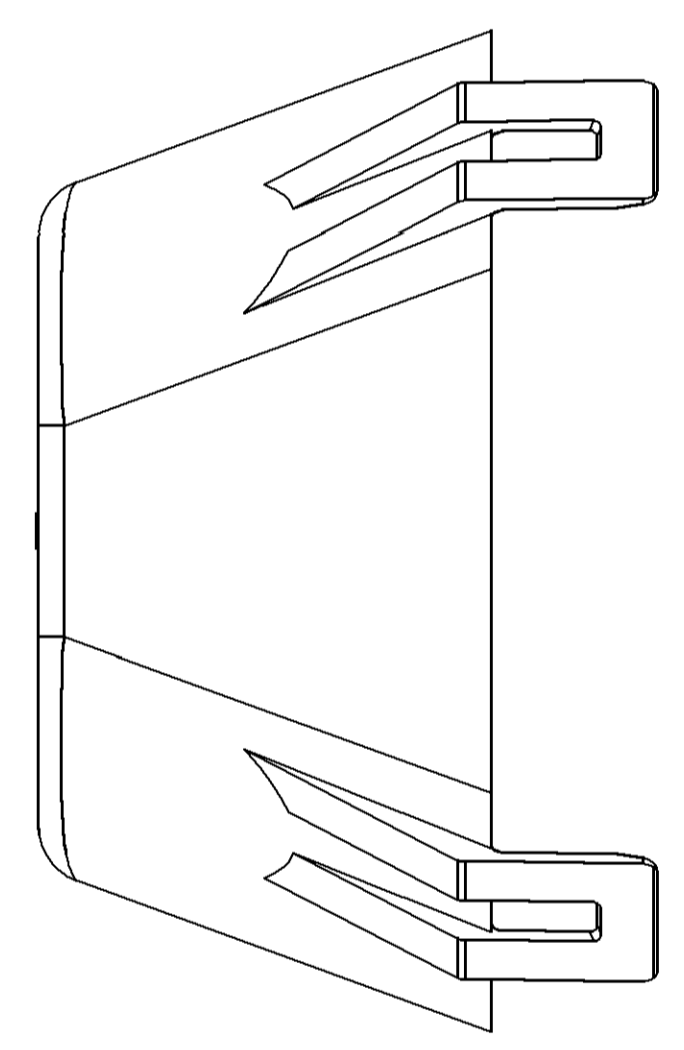
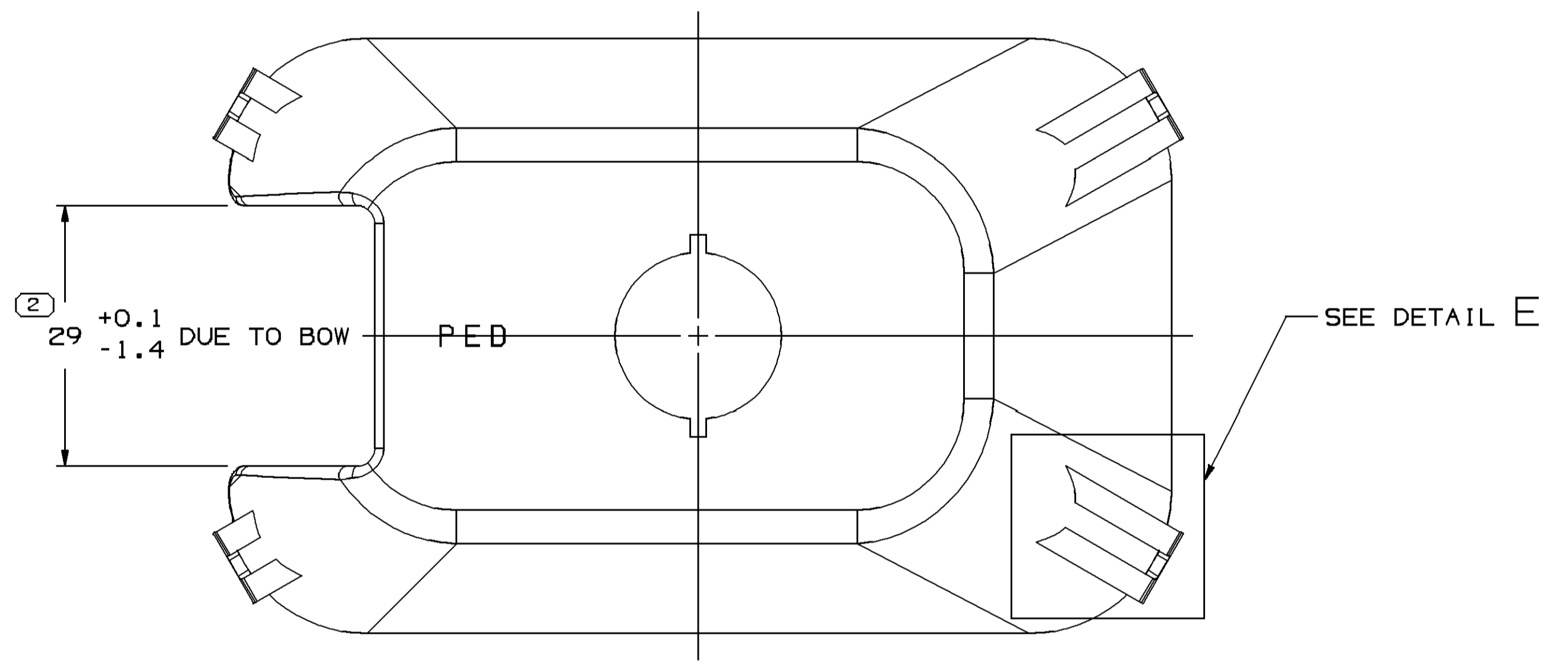
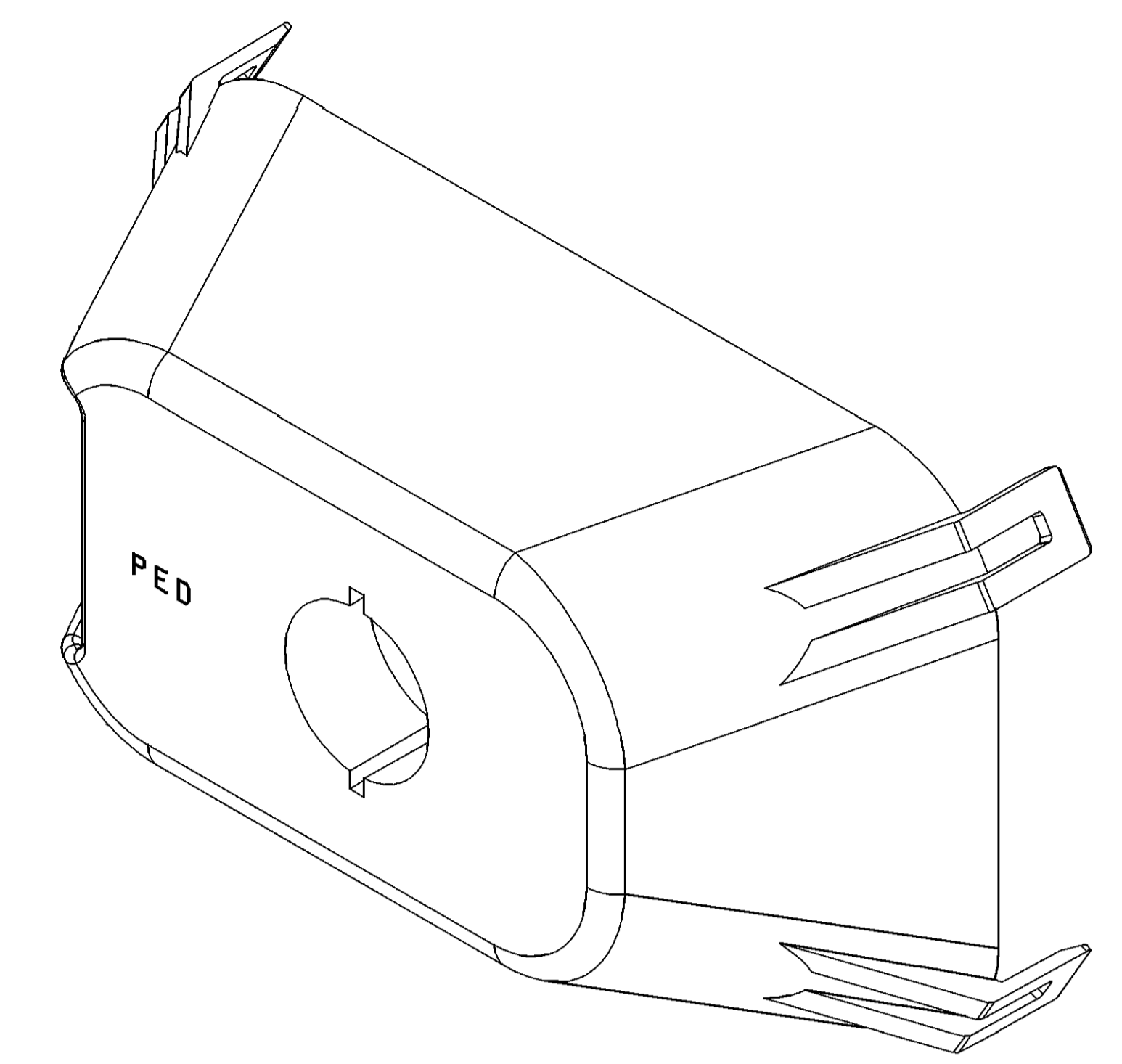
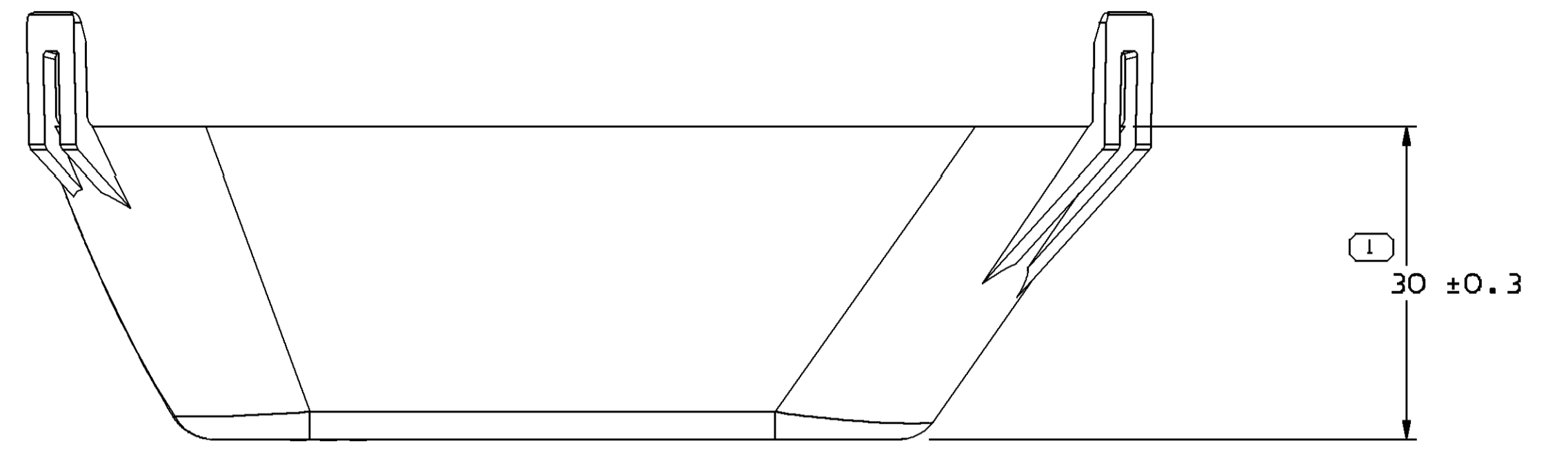


| SYMBOL DEFINITION | | TOTAL NO OF INSPECTIONS REQUIRED | 59 |
|--|--|----------------------------------|----|
| A DIMENSION WITHOUT AN INSPECTION REPORT SYMBOL DOES NOT REQUIRE INSPECTION. IT MAY BE CONTROLLED ON THE INDIVIDUAL COMPONENT DRAWING. | | LAST NO. USED | 20 |

| MISSING SYMBOLS | | | | REVISION HISTORY | | AUTH | DR | AP/VD | AP/VD |
|-----------------|-----|-----|-----|------------------|------|--------|-----|-------|-------|
| DATE | STG | REV | N/P | CHG | ZONE | | | | |
| 02JL99 | R | E3 | - | - | | 990009 | EAR | HGH | |
| 15MY01 | R | E4 | - | - | | 209281 | JGR | EDV | JH |
| 31JL08 | R | ES | - | - | | 405613 | SCR | SCR | JFZ |



DETAIL E

NOTES

- UNLESS OTHERWISE SPECIFIED AND/OR INDICATED:
DIMENSIONS ARE TO FACE OF VIEW SHOWN AND AUTOMATICALLY ROUNDED BY COMPUTER FOR INSPECTION (SEE MATH MODEL FOR PRECISE DIMENSIONS). FOR ALL OTHER DIMENSIONS NOT SHOWN BUT REQUIRED FOR TOOL BUILD, SEE MATH MODEL FOR PRECISE TOOL PATH DATA.
- THIS PRODUCT IS NOT CATEGORIZED AS AN APPEARANCE ITEM, MINOR IMPERFECTIONS INCLUDING, BUT NOT LIMITED TO, FLOW MARKS, COLOR BLEMISHES, GATE VESTIGE, AND SOFT FLASH THAT DO NOT AFFECT THE FIT, FORM, OR FUNCTION OF THE PART ARE PERMISSIBLE PER NAP 4.10-18.
- REFERENCE MATING COMPONENTS OR EQUIVALENT:
CONNECTOR ASSEMBLY 12129206
CONNECTOR ASSEMBLY 12129621
- (2.3)(10.1) DELPHI CORPORATE BRAND TO BE LOCATED ON ANY EXTERIOR SURFACE, PREFERABLY VISIBLE AT FINAL ASSEMBLY. OPTIONAL CONSTRUCTION FOR EXISTING TOOLING MAY BE "PED" OR NO LOGO.

| PART DRAWING | | | | | | | | | | | | | | | | | | | |
|--|--------------------------------------|------------------------|--------------------------------------|------------------|--------|--------------|-------|---------------|-------|----------------|-------|----------------|-------|----------------|-------|----------------|-------|----------------|-------|
| VOLUME 10/1 21.376 | DISTR CODE D | | | | | | | | | | | | | | | | | | |
| UNLESS OTHERWISE SPECIFIED: THIS DOCUMENT IS IN ACCORDANCE WITH THE Y14.5 MPP. ALL TOLERANCES UNLESS OTHERWISE SPECIFIED SHALL BE PER MIL-STD-1913. DIMENSIONS SHALL BE SHOWN TO THE RIGHT OF THE DIMENSION LINE UNLESS OTHERWISE SPECIFIED. POSITION CALLOUTS WILL BE SHOWN SEPARATELY, REGARDLESS OF DIMENSIONAL REFERENCE. DIMENSIONS APPLY AFTER HEAT TREAT AND SURFACE COATING. | | | | | | | | | | | | | | | | | | | |
| ALL DIMENSIONS ARE IN MILLIMETERS | | | | | | | | | | | | | | | | | | | |
| DIMENSIONS ENCLOSED IN () INDICATE REFERENCE DIMENSIONS AND NO TOLERANCE LIMITS ARE ESTABLISHED | | | | | | | | | | | | | | | | | | | |
| <table border="1"> <thead> <tr> <th>DIMENSIONAL RANGE (MM)</th> <th>TOLERANCE UNLESS OTHERWISE SPECIFIED</th> </tr> </thead> <tbody> <tr> <td>FROM > 0 TO > 30</td> <td>± 0.15</td> </tr> <tr> <td>> 30 TO > 70</td> <td>± 0.2</td> </tr> <tr> <td>> 70 TO > 100</td> <td>± 0.3</td> </tr> <tr> <td>> 100 TO > 150</td> <td>± 0.4</td> </tr> <tr> <td>> 150 TO > 200</td> <td>± 0.5</td> </tr> <tr> <td>> 200 TO > 250</td> <td>± 0.6</td> </tr> <tr> <td>> 250 TO > 300</td> <td>± 0.8</td> </tr> <tr> <td>> 300 TO > 400</td> <td>± 1.0</td> </tr> </tbody> </table> | | DIMENSIONAL RANGE (MM) | TOLERANCE UNLESS OTHERWISE SPECIFIED | FROM > 0 TO > 30 | ± 0.15 | > 30 TO > 70 | ± 0.2 | > 70 TO > 100 | ± 0.3 | > 100 TO > 150 | ± 0.4 | > 150 TO > 200 | ± 0.5 | > 200 TO > 250 | ± 0.6 | > 250 TO > 300 | ± 0.8 | > 300 TO > 400 | ± 1.0 |
| DIMENSIONAL RANGE (MM) | TOLERANCE UNLESS OTHERWISE SPECIFIED | | | | | | | | | | | | | | | | | | |
| FROM > 0 TO > 30 | ± 0.15 | | | | | | | | | | | | | | | | | | |
| > 30 TO > 70 | ± 0.2 | | | | | | | | | | | | | | | | | | |
| > 70 TO > 100 | ± 0.3 | | | | | | | | | | | | | | | | | | |
| > 100 TO > 150 | ± 0.4 | | | | | | | | | | | | | | | | | | |
| > 150 TO > 200 | ± 0.5 | | | | | | | | | | | | | | | | | | |
| > 200 TO > 250 | ± 0.6 | | | | | | | | | | | | | | | | | | |
| > 250 TO > 300 | ± 0.8 | | | | | | | | | | | | | | | | | | |
| > 300 TO > 400 | ± 1.0 | | | | | | | | | | | | | | | | | | |
| THIRD ANGLE PROJECTION | | | | | | | | | | | | | | | | | | | |
| DO NOT SCALE. USE MATH DATA. | | | | | | | | | | | | | | | | | | | |

DELPHI
DELPHI PACKARD ELECTRICAL/ELECTRONIC ARCHITECTURE
WARREN, OH

| DR | DATE |
|---------------------|--------|
| AP/VD1 E. RODRIGUEZ | 05JL99 |
| AP/VD2 H. GAMA | 05JL99 |
| AP/VD3 J. HORIUCHI | 23NO99 |
| AP/VD4 | |
| AP/VD5 | |

SUBSTANCES OF CONCERN AND RECYCLED CONTENT PER DELPHI 10949001

MATERIAL: POLYAMIDE COMPOUND BLACK

DRAWING NAME: COV CONN M/P

DRAWING NUMBER: 12129212

| | | | | | |
|----------|------------|------------------|------------------|--------|---------|
| SIZE: AD | SCALE: 2:1 | FRAME NO: 1 OF 1 | SHEET NO: 1 OF 1 | REV: R | N/P: ES |
|----------|------------|------------------|------------------|--------|---------|

Mouser Electronics

Authorized Distributor

Click to View Pricing, Inventory, Delivery & Lifecycle Information:

[Aptiv:](#)

[12129212](#)