

D

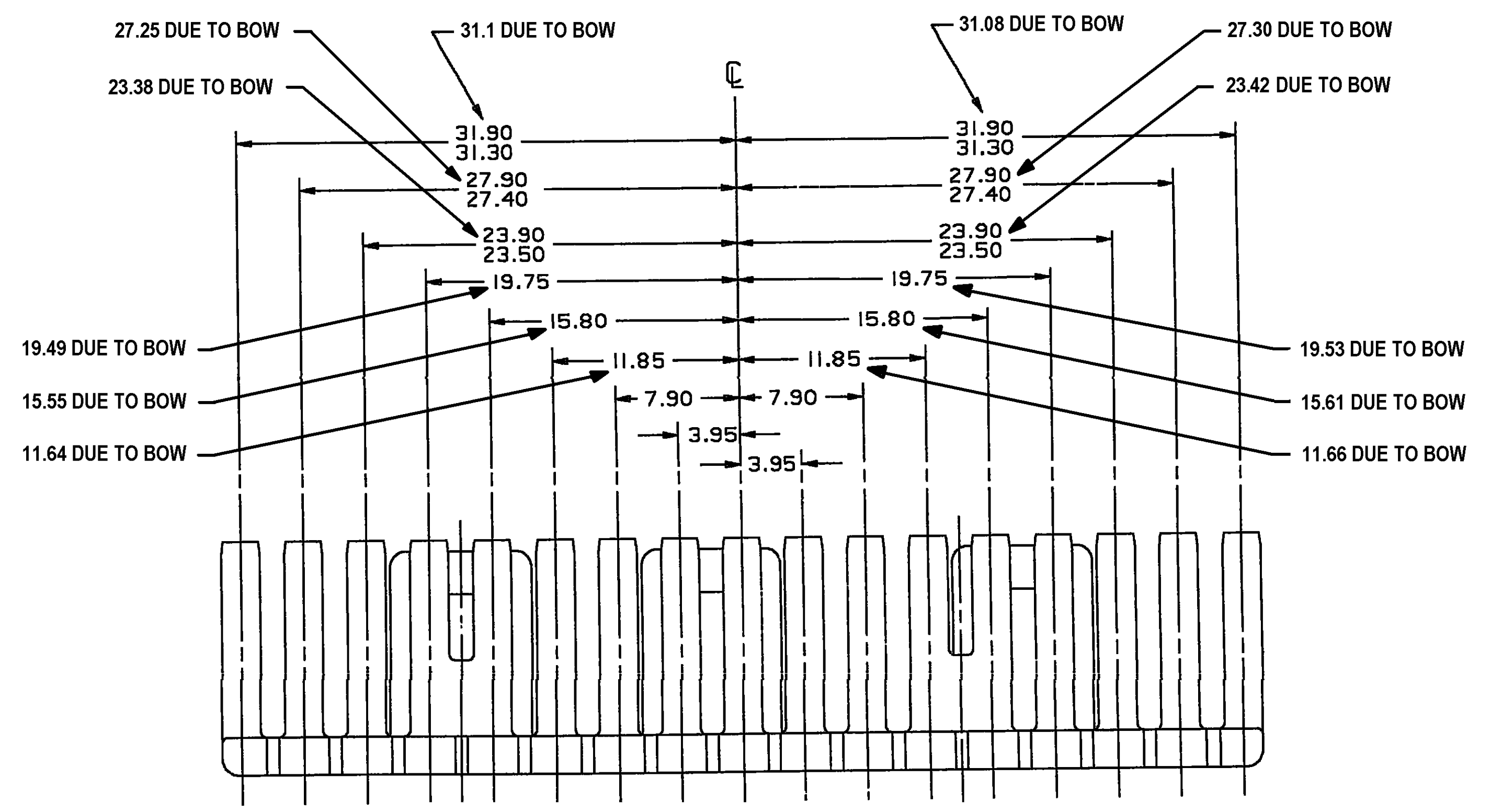
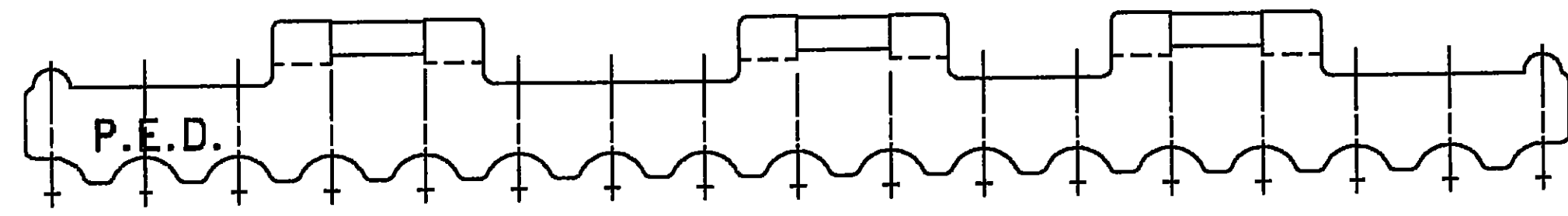
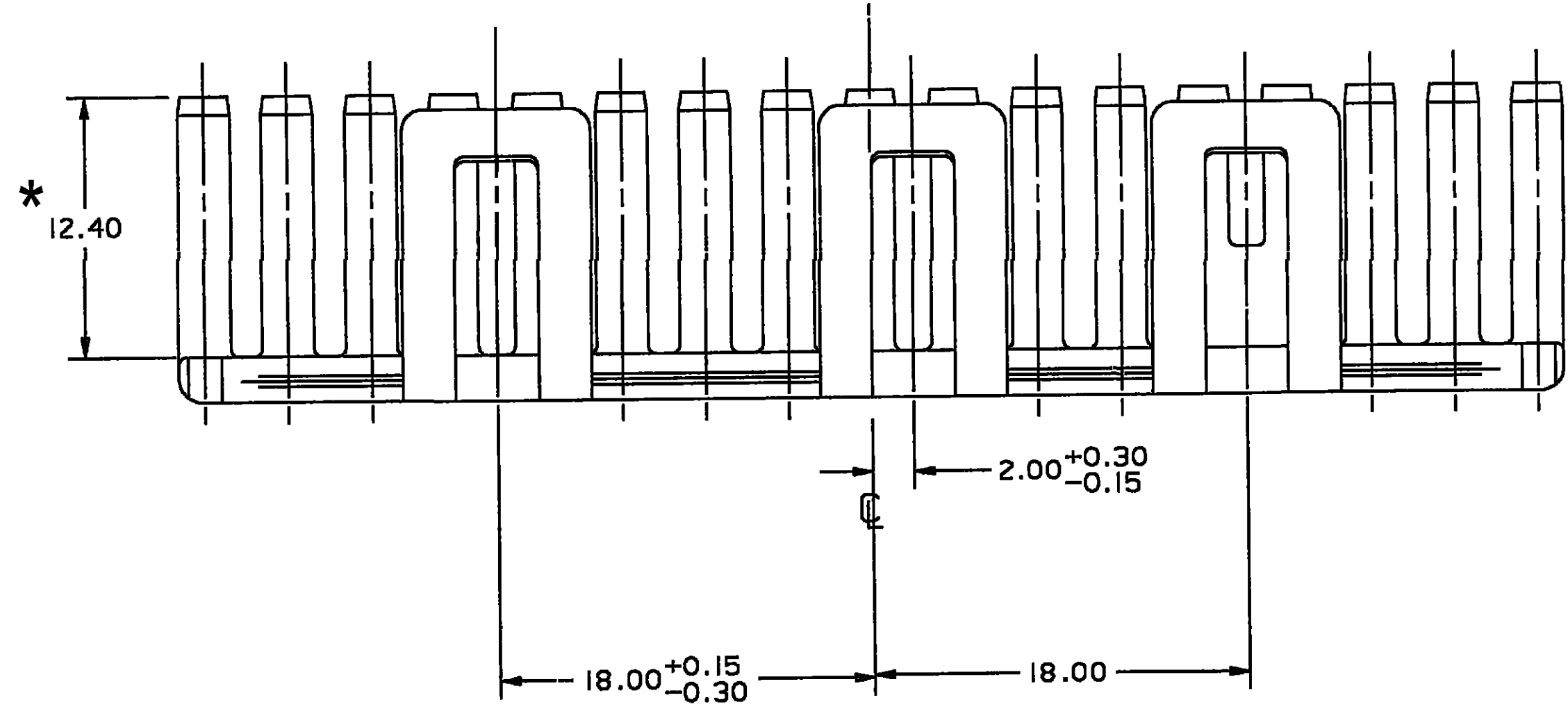
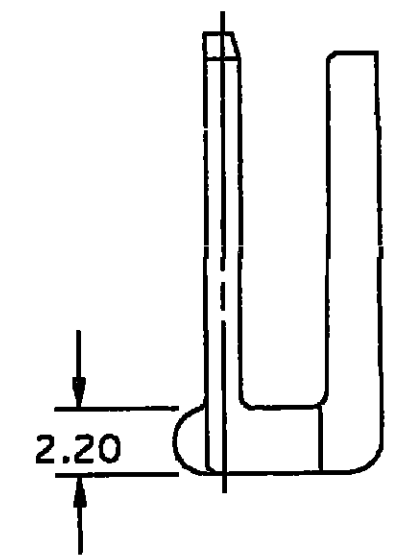
DO NOT SCALE

PART NO. 1204 7845

PART NO. 1204 7845

DATE	BY	REVISION RECORD	AUTH	DR	CK
28AU08	G2	RELEASED	405915	JTZ	FKV

PACKARD ELECTRIC DIVISION
GENERAL MOTORS CORPORATION
WARREN, OHIO



- NOTES** — 1. ALL RADII 0.40, UNLESS OTHERWISE SPECIFIED.
 2. DIMENSIONS ARE TO FACE OF VIEW SHOWN UNLESS OTHERWISE INDICATED.
 3. LOCKING FEATURES ARE IDENTICAL.
 4. MATING CONNECTOR I2047844.
 5. 0° 30' DRAFT ALLOWABLE, EXCEPT AS SHOWN.
 6. DIMENSION INDICATED WITH "*" IS A PROCESS SENSITIVE DIMENSION.

RONART C04D1808

METRIC
 DIMENSIONS ARE IN MILLIMETERS UNLESS OTHERWISE SPECIFIED

CODE NO. 6900	TOLERANCE UNLESS OTHERWISE SPECIFIED	DECIMAL: TWO PLACE ± 0.15	ANGULAR ± 2°
QC -C-4004	THIRD ANGLE PROJECTION		
DWG DATE 23AP84	SCALE 4:1	DR. P. TRONCOSO	DATE 28AU08
REFERENCE NO. CD.W.LOCK.I2047845	CHK. FCO.KOPCA	DATE 28AU08	DATE 28AU08
APPR. TOM MADDEN	DATE 28AU08	APPR.	DATE
MATERIAL SPEC. M4695001 PLAS PBT NAT			
NAME SECONDARY LOCK-17 WAY			
PART NO. 1204 7845	SIZE D	PACKARD ELECTRIC	

Mouser Electronics

Authorized Distributor

Click to View Pricing, Inventory, Delivery & Lifecycle Information:

[Aptiv:](#)

[12047845](#)