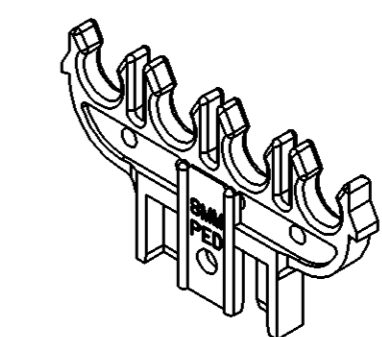
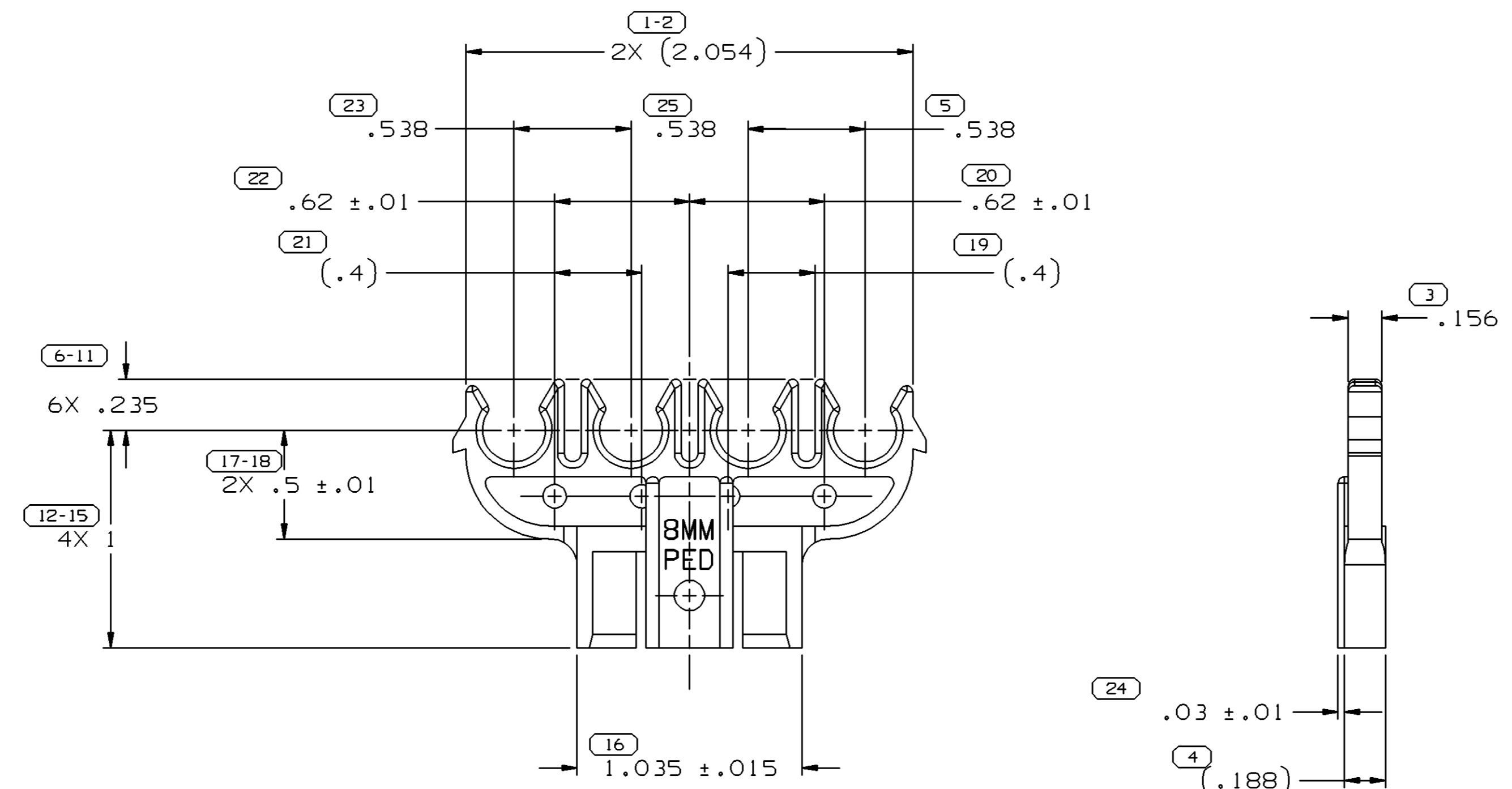
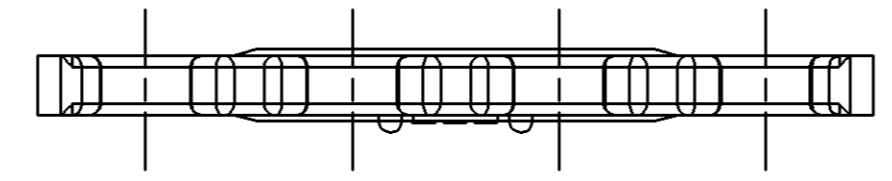


MOUNTING BRACKET

(.046 ±.005 THK)

INSPECTION SYMBOLS SHOWN IN THIS VIEW ARE FOR REFERENCE ONLY



SCALE 1:1

SYMBOL DEFINITION		MISSING NUMBERS	
A DIMENSION WITHOUT AN INSPECTION REPORT SYMBOL DOES NOT REQUIRE INSPECTION. IT MAY BE CONTROLLED ON AN INDIVIDUAL COMPONENT DRAWING	TOTAL NO. OF SYMBOLS ON DRAWING	22	
	LAST NO. USED	48	

DWG STATUS					ZONE	REVISION HISTORY			AUTH	DR	APVD1	APVD2
DATE	STG	REV	N/P	CHG								
24JL00	R	B	2	-		CLEARED REVISION COLUMN&REVISED GRAPHICS			197241	FMO	AUG	
29JA01	R	B	3	-		(.400) WAS .400±.010 2PLCS (19) (21)			197286	JCH	PJC	
28N005	R	B	04	-		M3592001 WAS R0071754; OPTIONAL CONSTRUCTION ADDED TO NOTE 2 ON PD			274828	PJC	PJC	RAT

NOTES

- UNLESS OTHERWISE SPECIFIED AND/OR INDICATED: DIMENSIONS ARE TO FACE OF VIEW SHOWN AND AUTOMATICALLY ROUNDED BY COMPUTER FOR INSPECTION (SEE MATH MODEL FOR PRECISE DIMENSIONS). FOR ALL OTHER DIMENSIONS NOT SHOWN BUT REQUIRED FOR TOOL BUILD, SEE MATH MODEL FOR PRECISE TOOL PATH DATA.
- (OPTIONAL CONSTRUCTION) MATERIAL RECYCLING CODE >PA66< PER SAE J1344 TO APPEAR ON PART.

16 PROCESS SENSITIVE DIMENSION	
DIMENSIONS ENCLOSED IN () INDICATE REFERENCE DIMENSIONS AND NO TOLERANCE LIMITS ARE ESTABLISHED	
DIMENSIONAL RANGE (IN)	CHART H
FROM 0	>.750 >1.250 >2.750 >4.000
TO .750 1.250 2.750 4.000	
TOLERANCE UNLESS OTHERWISE SPECIFIED	
±.005 ±.010 ±.012 ±.016 ±.020	
ANGULAR TOLERANCE ±2°	

DWG TYPE		PART DRAWING	
STYLE			
VOLUME (CM³)	DISTR CODE		
2.919	D		
UNLESS OTHERWISE SPECIFIED			
THIS DOCUMENT IS IN ACCORDANCE WITH ASME Y14.5M-1994 AS AMENDED BY THE GM GLOBAL DIMENSIONING AND TOLERANCING ADDENDUM-2001. SEPARATE PATTERNS OF FEATURES MAY BE GAGED SEPARATELY REGARDLESS OF DATUM REFERENCES.			
ALL DIMENSIONS ARE IN INCHES			
REFERENCE			
12015031			
THIRD ANGLE PROJECTION	DO NOT SCALE		
	USE MATH DATA		

DELPHI			
DELPHI PACKARD ELECTRIC SYSTEMS WARREN, OH			
DR F. MIRANDA		DATE 24JL00	
APVD1 A. UGALDE		07AU00	
APVD2 P.J. COLONNA		10AU00	
APVD3 RHODA A. TATYLO		28N005	
APVD4			
APVD5			
SUBSTANCES OF CONCERN AND RECYCLED CONTENT PER DELPHI 10949001			
MATERIAL M3592001			
DRAWING NAME			
CLIP IGN 8MM			
DRAWING NUMBER			
12020208			
SIZE A1	SCALE 2:1	FRAME NO 1 OF 1	SHEET NO 1 OF 1
STG R	REV B	N/P 04	

Mouser Electronics

Authorized Distributor

Click to View Pricing, Inventory, Delivery & Lifecycle Information:

[Aptiv:](#)

[12020208](#)