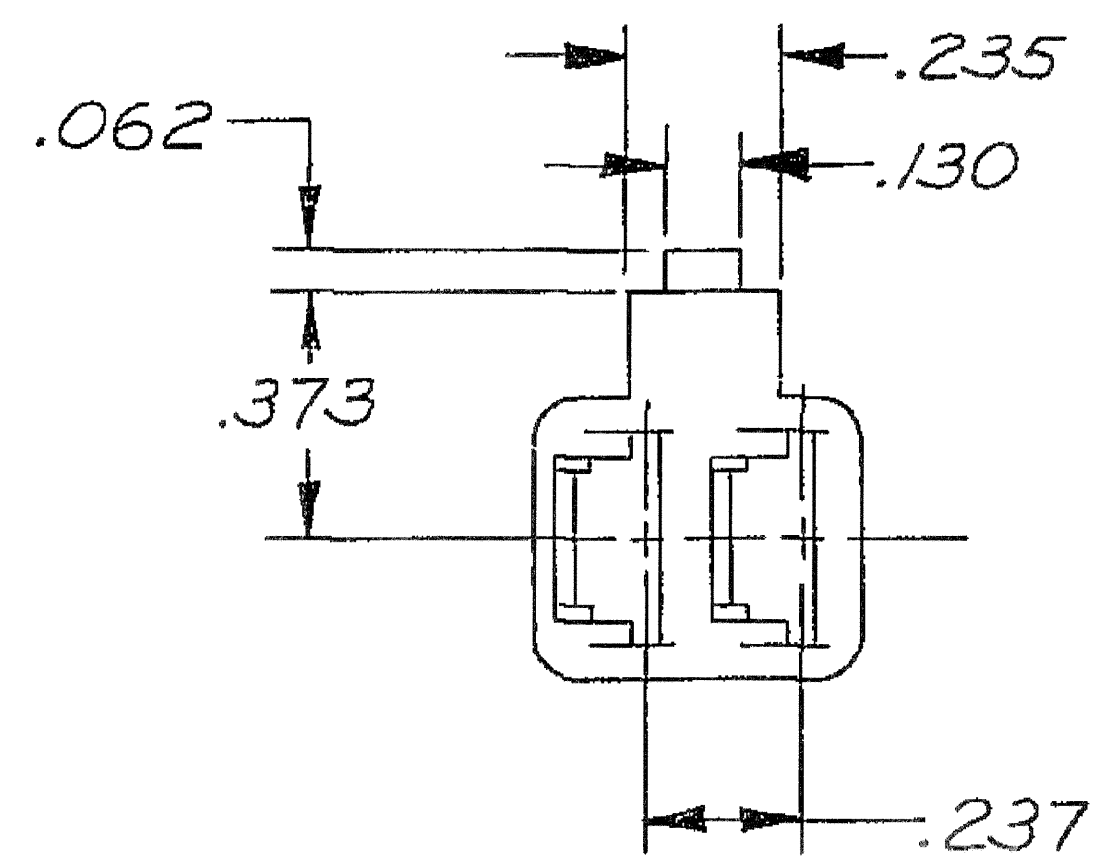
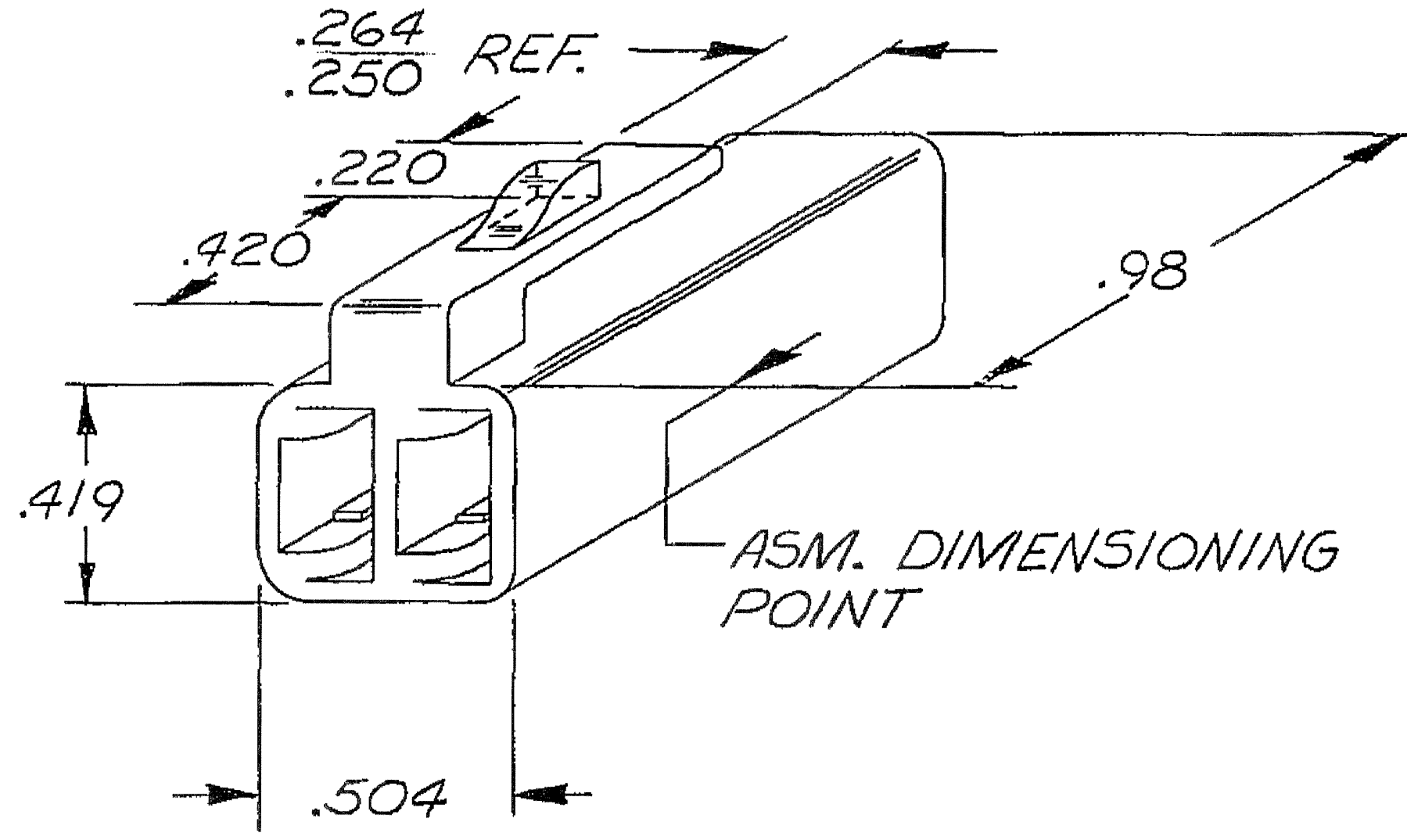


DWG STATUS					ZONE	REVISION HISTORY	AUTH	DR	APVD 1	APVD 2
DATE	STG	REV	N/P	CHG						
10N004	R	07	-	-		MATERIAL WAS R-67550	261124	MJM	MJM	ET



NOTES

1. MATERIAL RECYCLING CODE PER SAE J1344. (.090)X(.004) RAISED CHARACTERS AS SHOWN TO BE LOCATED ON ANY EXTERIOR SURFACE. OPTIONAL CONSTRUCTION TO BE NO MATERIAL RECYCLING CODE.
2. (.090)X(.004) RAISED DELPHI CORPORATE BRAND TO BE LOCATED ON ANY EXTERIOR SURFACE, PREFERABLY VISIBLE AT FINAL ASSEMBLY. OPTIONAL CONSTRUCTION TO BE "PED" OR NO LOGO.

DWG TYPE PART DRAWING	
STYLE	
VOLUME (CM ³)	DISTR CODE D
UNLESS OTHERWISE SPECIFIED	
THIS DOCUMENT IS IN ACCORDANCE WITH ASME Y14.5M-1994 AS AMENDED BY THE GM GLOBAL DIMENSIONING AND TOLERANCING ADDENDUM - 1997. ALL GEOMETRIC TOLERANCES AND RELATED DATUMS APPLY RFS. RULE #1 (PERFECT FORM AT MMC) DOES NOT APPLY WHEN RELATIONSHIP BETWEEN FEATURES IS ESTABLISHED BY ORIENTATION OR LOCATION TOLERANCES. SEPARATE POSITION CALLOUTS MAY BE GAGED SEPARATELY, REGARDLESS OF DATUM REFERENCE. ALL DIMENSIONS ARE IN INCHES	
REFERENCE	

TOLERANCE UNLESS OTHERWISE SPECIFIED
 DECIMAL: ANGULAR ±2°
 TWO PLACE ±.01
 THREE PLACE ±.005

THIRD ANGLE PROJECTION

DO NOT SCALE

USE MATH DATA

DELPHI

DELPHI PACKARD ELECTRIC SYSTEMS
WARREN, OH

DR	DATE
APVD1 R. LEONARD	09DE71
APVD2 MUDREY	09DE71
APVD3 W. E. CALVIN	09DE71
APVD4	
APVD5	

SUBSTANCES OF CONCERN AND RECYCLED CONTENT PER DELPHI 10949001

MATERIAL
M2097001 PP 1M BLK

DRAWING NAME
CONN 2 F 56 BLK

DRAWING NUMBER
08911149

SIZE	SCALE	FRAME NO	SHEET NO	STG	REV	N/P
A2	NTS	1 OF 1	1 OF 1	R	07	-

sac: czf.dwg
 part: 08911149-CUS01-S01 Date: 12-Nov-04 Time: 09:28
 space:

Mouser Electronics

Authorized Distributor

Click to View Pricing, Inventory, Delivery & Lifecycle Information:

[Aptiv:](#)

[08911149](#)