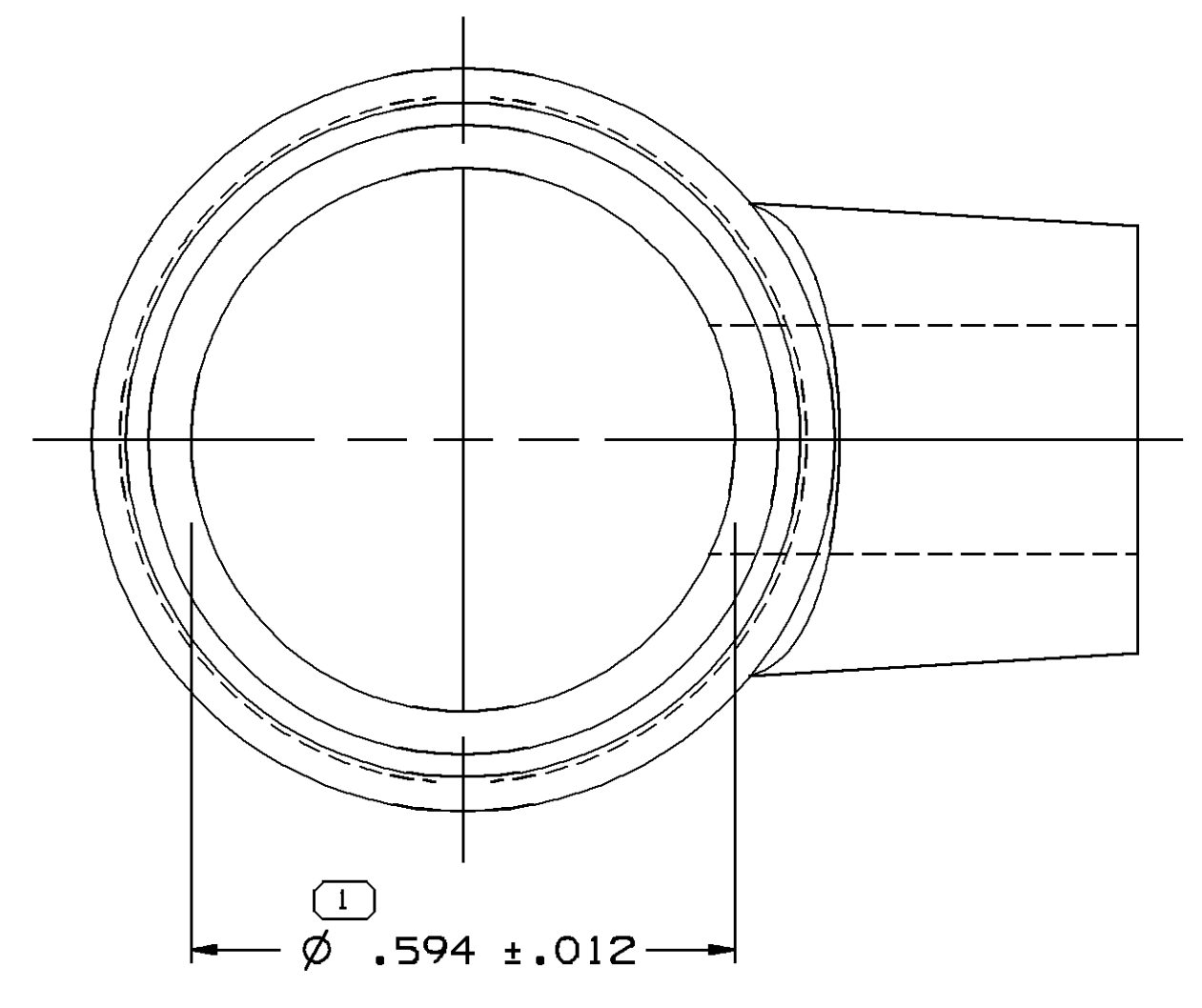
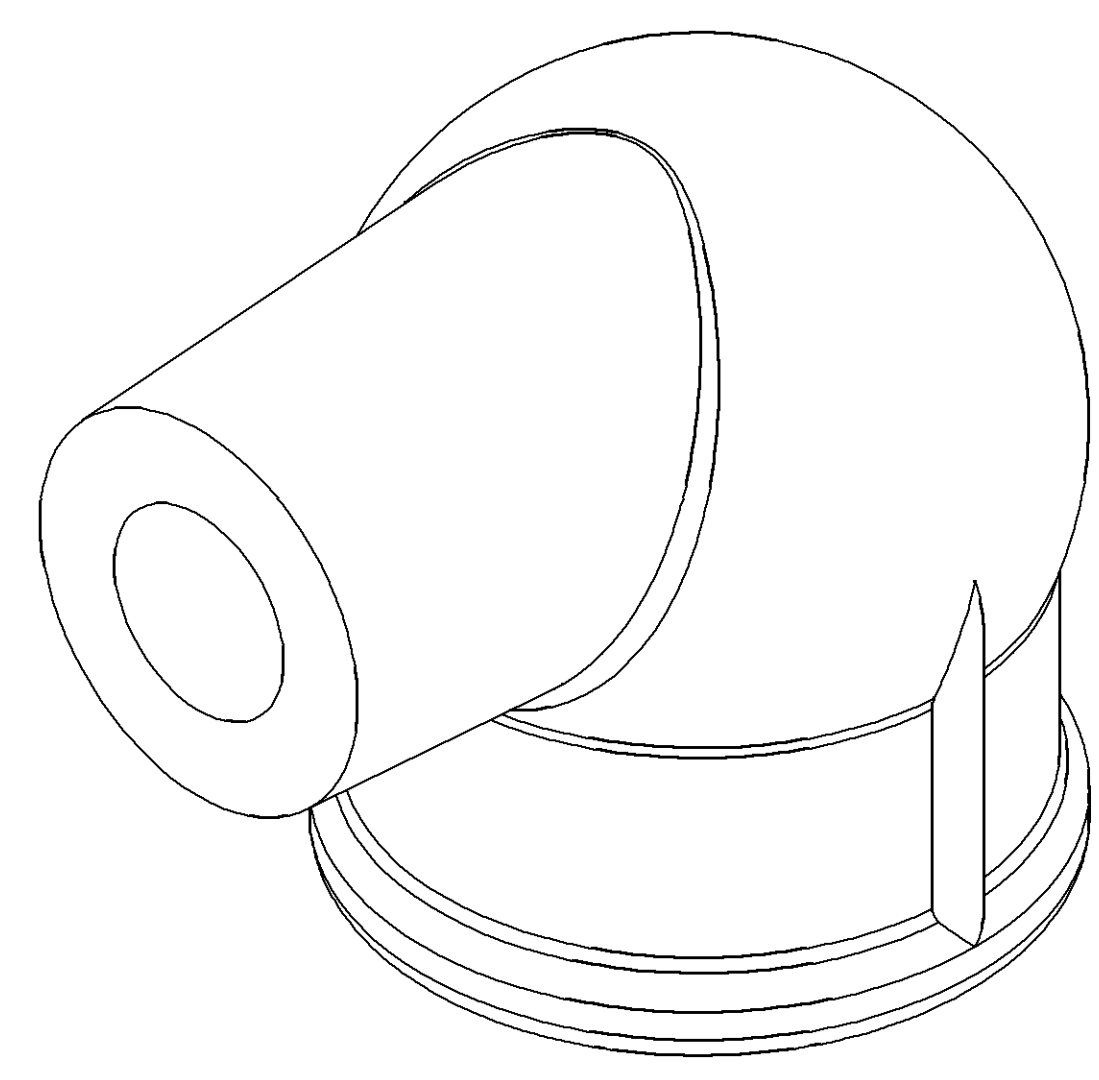
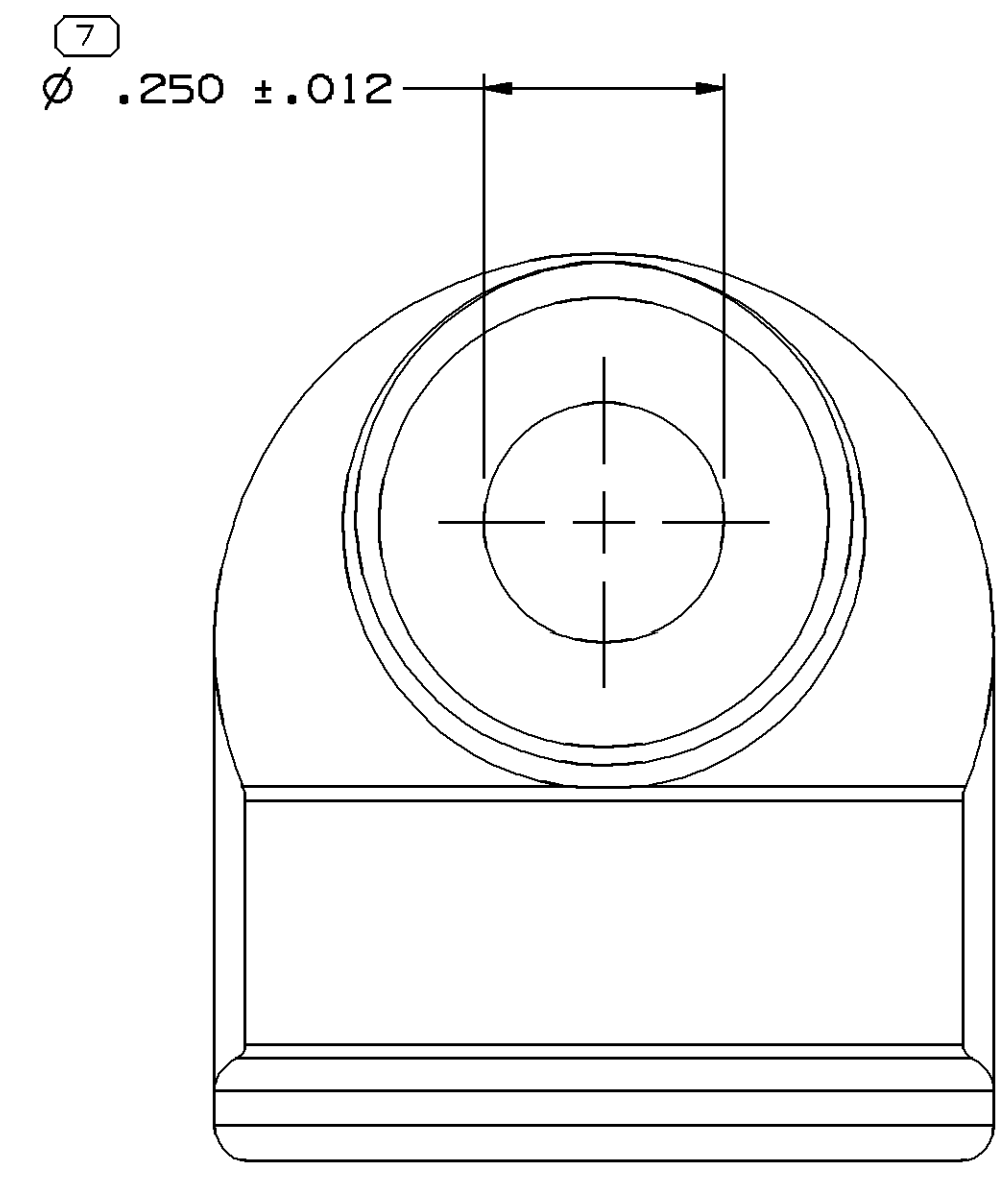
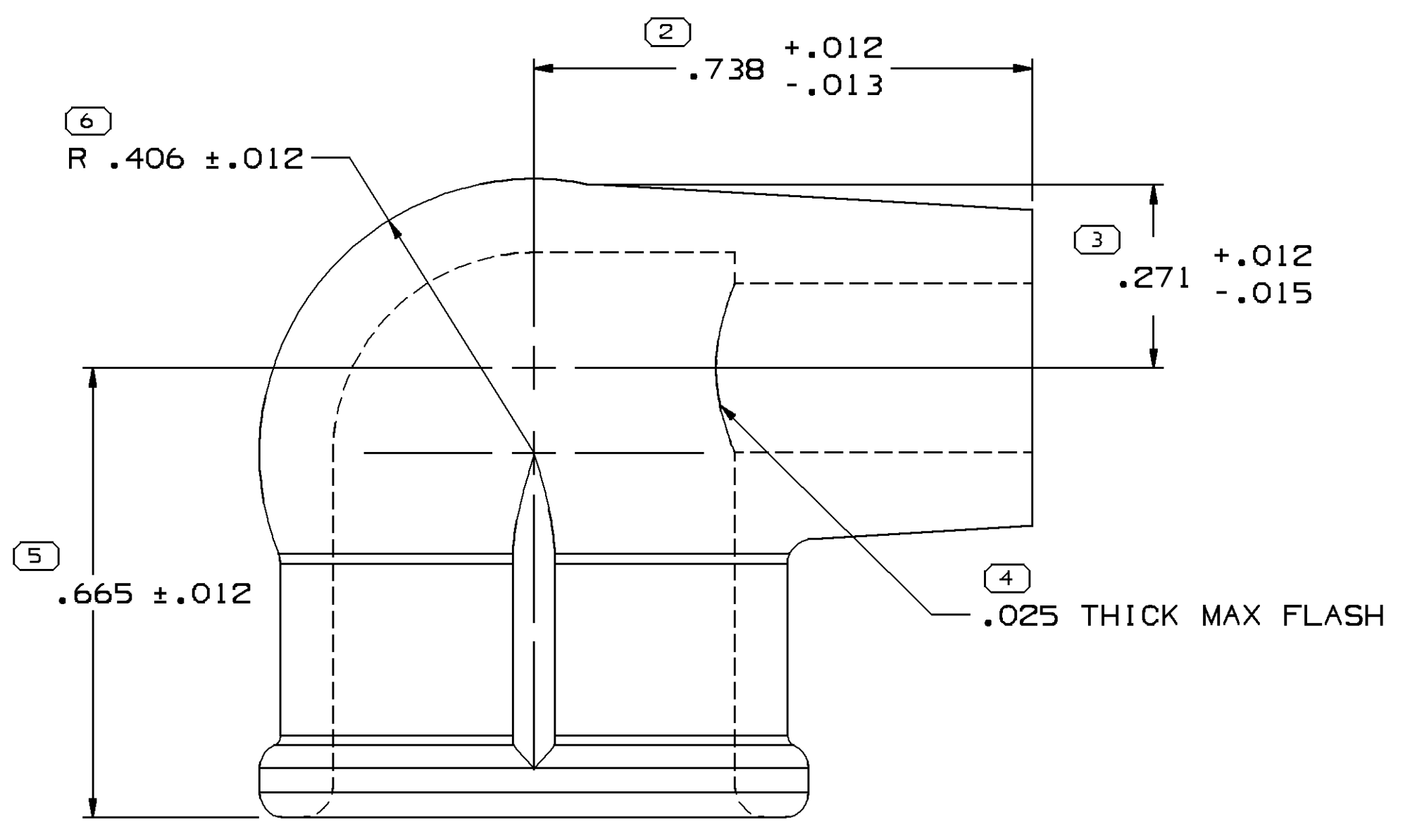


SYMBOL DEFINITION		MISSING SYMBOLS	
A DIMENSION WITHOUT AN INSPECTION REPORT SYMBOL ( ) DOES NOT REQUIRE INSPECTION. IT MAY BE CONTROLLED ON THE INDIVIDUAL COMPONENT DRAWING.	TOTAL NO OF INSPECTIONS REQUIRED	NO MISSING SYMBOL NUMBER	7
	LAST NO. USED		7

DWG STATUS					REVISION HISTORY				AUTH	DR	APVD1	APVD2
DATE	STG	REV	N/P	CHG								
24MR97	R	E	-	-	REDRAWN & RELEASED				173194	000	MAV	MAV
08JA07	R	E1	-	-	MATERIAL SPEC WAS ASTM D2000				400017	MM	MM	JS
11JL07	R	E2	-	-	ADDED NOTE #2				1282	MAQ	ACJ	JS



**NOTES:**

- UNLESS OTHERWISE SPECIFIED AND/OR INDICATED: DIMENSIONS ARE TO FACE OF VIEW SHOWN AND AUTOMATICALLY ROUNDED BY COMPUTER FOR INSPECTION. (SEE MATH MODEL FOR PRECISE DIMENSION) FOR ALL OTHER DIMENSIONS NOT SHOWN BUT REQUIRED FOR TOOL BUILD, SEE MATH MODEL FOR PRECISE TOOL PATH DATA.
- SECONDARY OPERATION, EFLASH PARTS PRIOR TO SHIPPING.

DIMENSIONAL RANGE (IN) CHART			
FROM	0	>.750	>1.250
TO	.750	1.250	2.750
TOLERANCE UNLESS OTHERWISE SPECIFIED			
	±.005	±.010	±.012
ANGULAR TOLERANCE ±2°			

DWG TYPE <b>PART DRAWING</b>	
STYLE	
VOLUME (CPI) 3.874	DISTR CODE D
UNLESS OTHERWISE SPECIFIED THIS DOCUMENT IS IN ACCORDANCE WITH ASME Y14.5M-1994 AS AMENDED BY THE GM GLOBAL DIMENSIONING AND TOLERANCING ADDENDUM-2001. SEPARATE PATTERNS OF FEATURES MAY BE GAGED SEPARATELY REGARDLESS OF DATUM REFERENCES.	
ALL DIMENSIONS ARE IN INCHES	
REFERENCE	
THIRD ANGLE PROJECTION	DO NOT SCALE
USE MATH DATA	NX

<b>DELPHI</b>	
DELPHI PACKARD ELECTRIC SYSTEMS WARREN, OH	
DR	DATE
APVD1 K. COPE	05N059
APVD2 R. KAUFMAN	15JN61
APVD3 LUBERT	15JN61
APVD4	
APVD5	
SUBSTANCES OF CONCERN AND RECYCLED CONTENT PER DELPHI 10945001	
MATERIAL M4523002	
DRAWING NAME SLEV IGN BOOT BLK	
DRAWING NUMBER 02973999	
SIZE A1	SCALE 5:1
FRAME NO 1 OF 1	SHEET NO 1 OF 1
STG R	REV E2
N/P	

# Mouser Electronics

Authorized Distributor

Click to View Pricing, Inventory, Delivery & Lifecycle Information:

[Aptiv:](#)

[02973999](#)