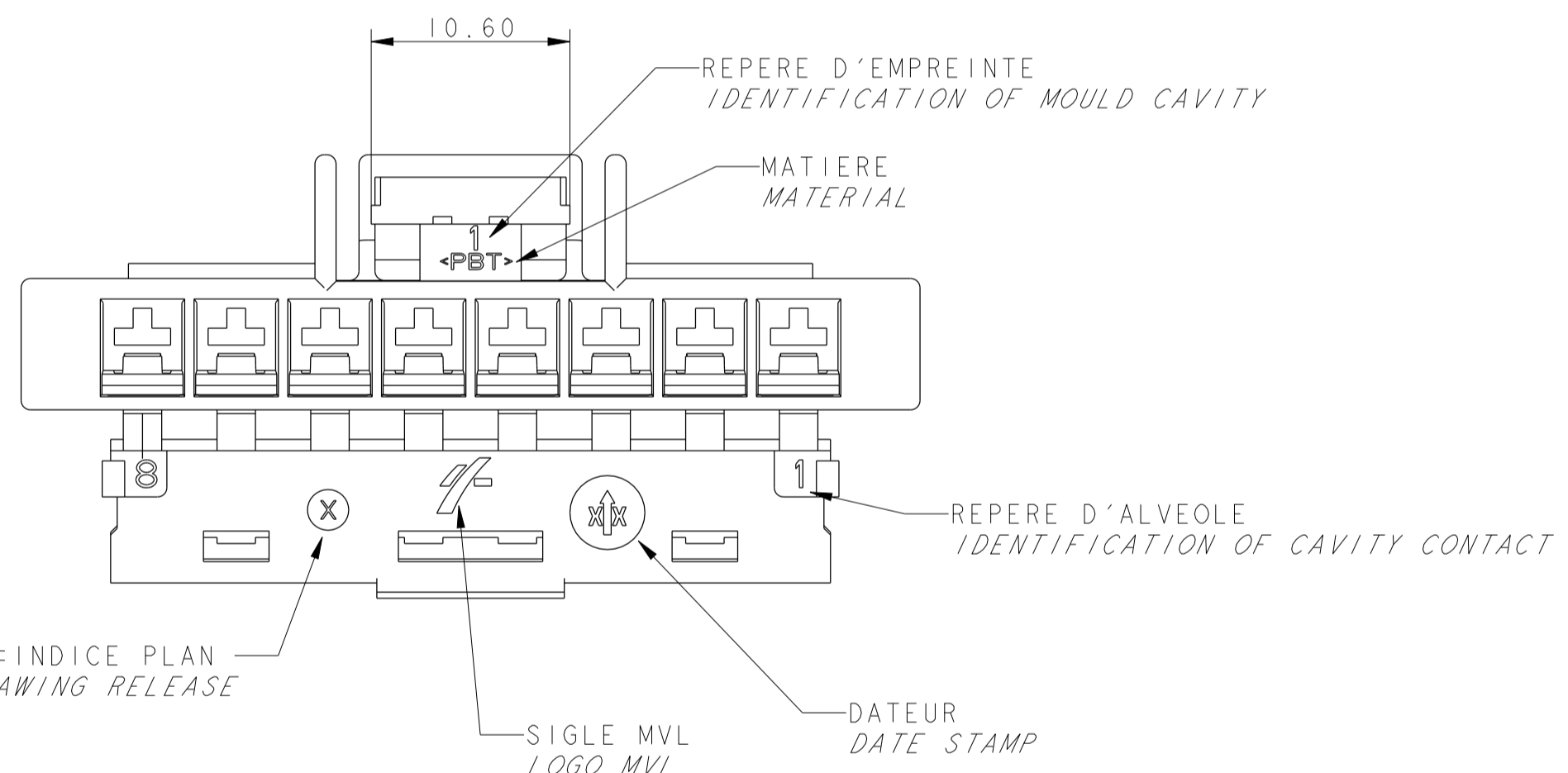
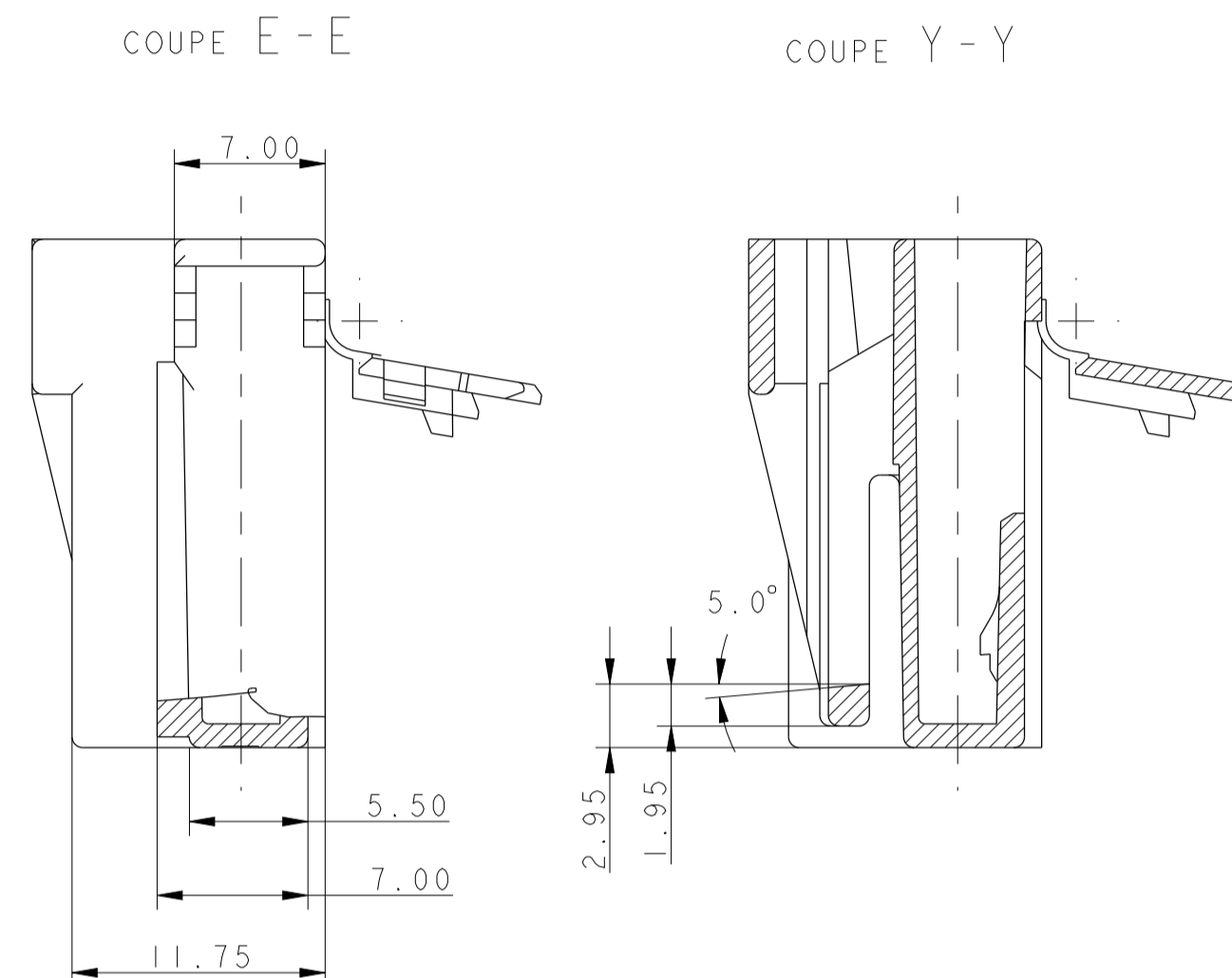
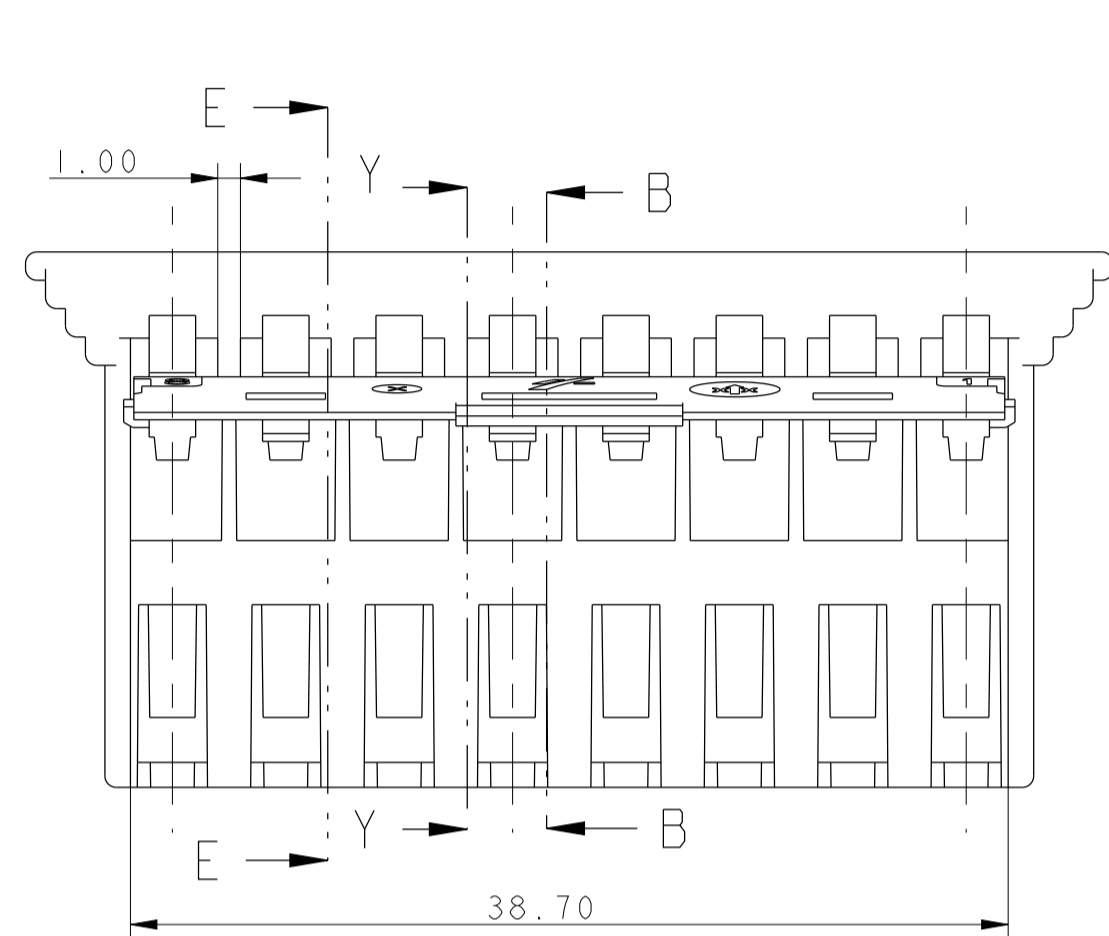
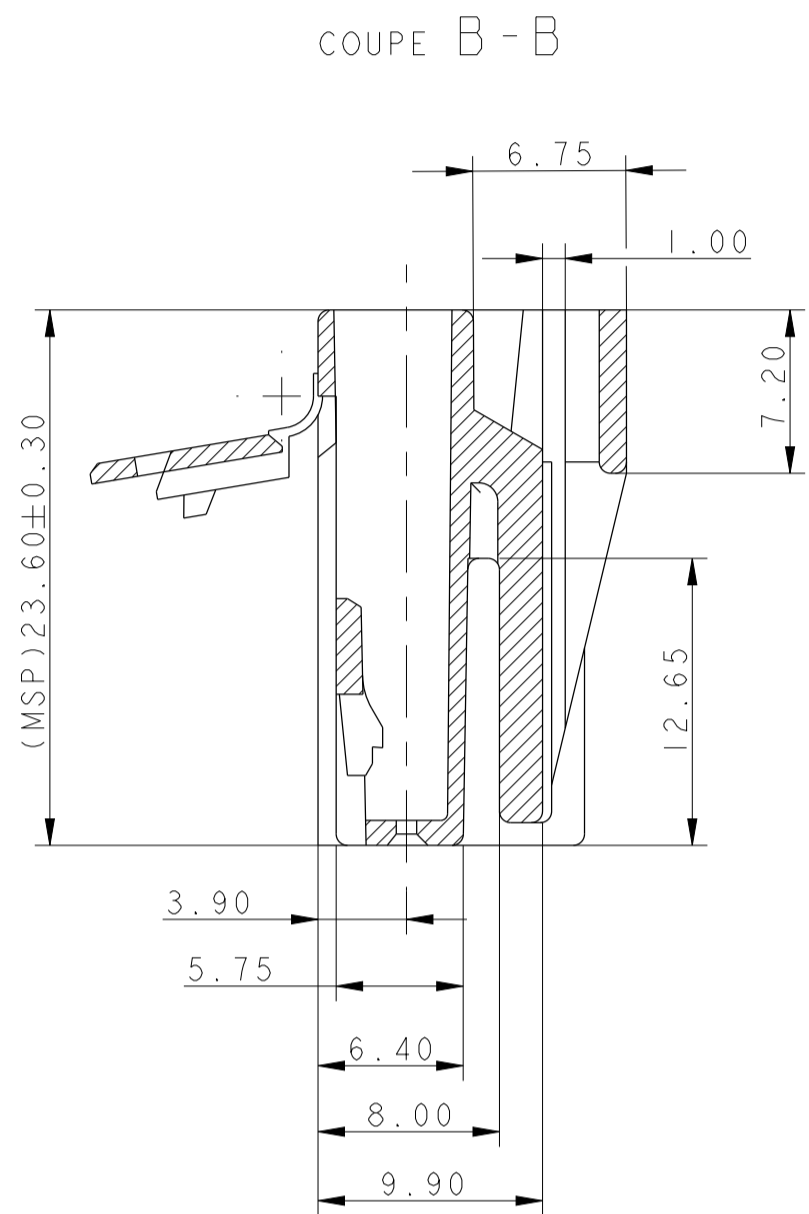
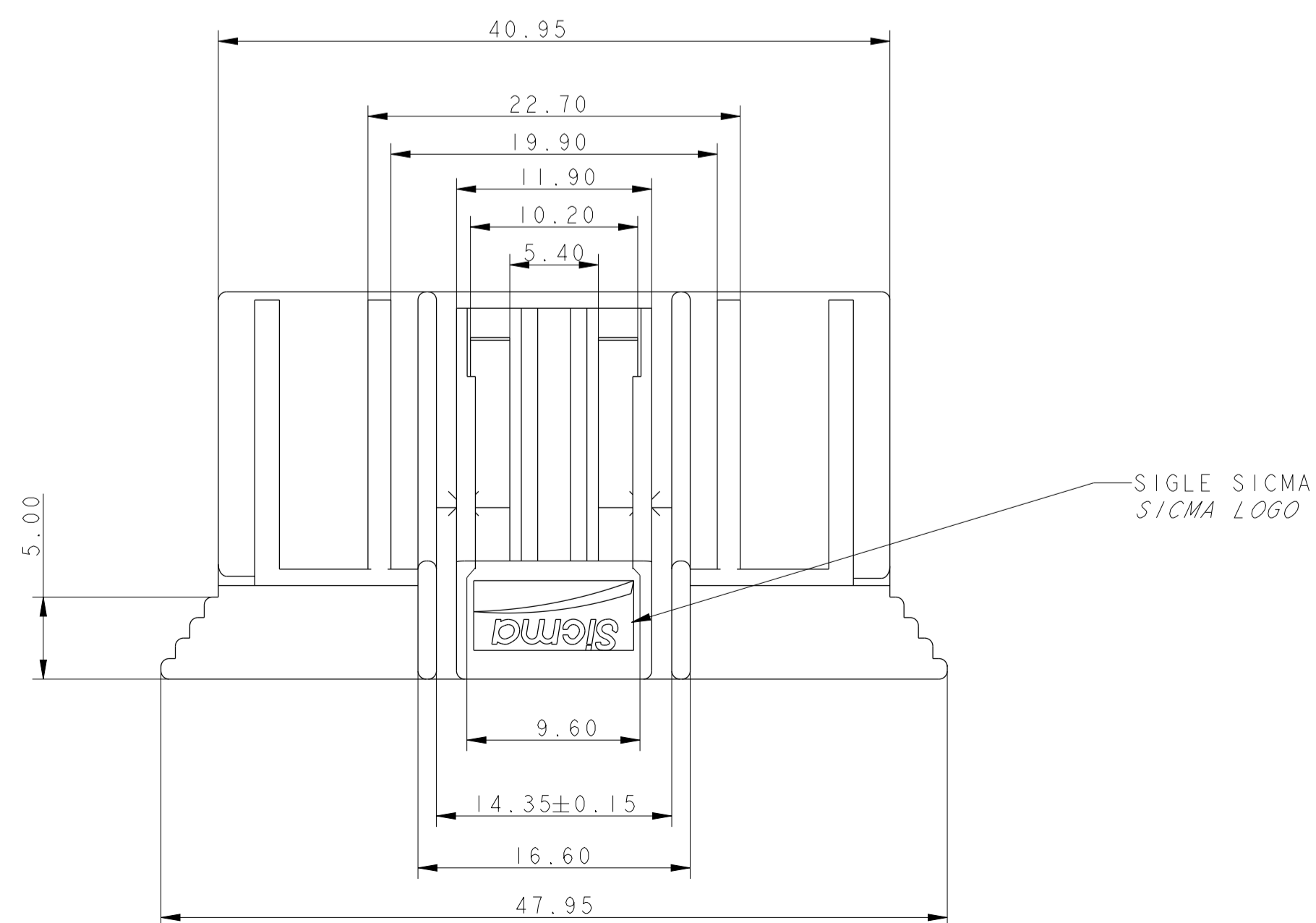


CODAGE PORTE-CLIPS FEMALE CONNECTOR'S CODING			
COUPE P-P ECHELLE 1:1			
MVL	REF. 211 PC 08 3 S 0 017 REV. IND. B	211 PC 08 3 S 8 017 B	211 PC 08 3 S 1 017 B
DELPHI	REF. 10820381 REV. IND. 01	33500313 01	33500312 01
COULEUR COLOR	NOIR BLACK	GRIS GREY	MARRON BROWN



INDICE ENSEMBLE MONTE OU INDICE CORPS X=INDICE PLAN  
ASSEMBLY PART OR BODY RELEASE X=DRAWING RELEASE



ECN-NO. NUMERO ECN	POSITION POSITION	CHANGE DESCRIPTION MODIFICATION
-	-	DELPHI P/N ADDED
PROJECT SPEC. SPECIF. PRODUIT PACKAGING SPEC. SPECIF. EMBALLAGE APPLICATION SPEC. SPECIF. APPLICATION COPYRIGHT DELPHI CORPORATION AND/OR ITS AFFILIATES. ALL RIGHTS RESERVED. REVISED THIS DRAWING IS THE PROPERTY OF DELPHI CORPORATION AND CONTAINS DELPHI CONFIDENTIAL INFORMATION. FOR REPRODUCTION, DISTRIBUTION AND SALE OF THIS DOCUMENT IN ANY FORM OR BY ANY MEANS WITHOUT THE WRITTEN PERMISSION OF DELPHI CORPORATION IS PROHIBITED. LA REPRODUCTION, LA DISTRIBUTION ET L'UTILISATION DE CE DOCUMENT EN SES DIFFERENTES FORMES SANS L'AUTORISATION ECRITE DE DELPHI CORPORATION IS PROHIBITED. DE TOUT CONTENU A AUTRE, SANS AUTORISATION ECRITE, EST INTERDITE.		
TOLERANCES TOLERANCES	±0.2 ±0.2	MATERIAL : PBT ETAT DE SURFACE
CONTRIBUTOR CONTRIBUTEUR		DELPHI PACKARD ELECTRICAL/ELECTRONIC ARCHITECTURE EPFONN, FRANCE
DO NOT REASURE DRAWING NE PAS REASURE DE DRESSAGE		COULEUR : SEE TABLE TOOL ISO PROJECTION CODE M.C. FE
CREATED BY CREEE PAR	DATE	NAME NOM
APPROVED BY APPROUVE PAR	DATE	TITLE DESIGNATION
DRAWING NUMBER REF. PLAN <b>28 x 08</b> <b>211FT0457</b> <b>8 WAYS FEMALE HOUSING</b> SERIAL RELEASED See Table		
SCALE ECH.	2:1	APPROVAL LEVEL NIVEAU D'APPROBATION

# Mouser Electronics

Authorized Distributor

Click to View Pricing, Inventory, Delivery & Lifecycle Information:

[Aptiv:](#)

[211PC083S8017](#)