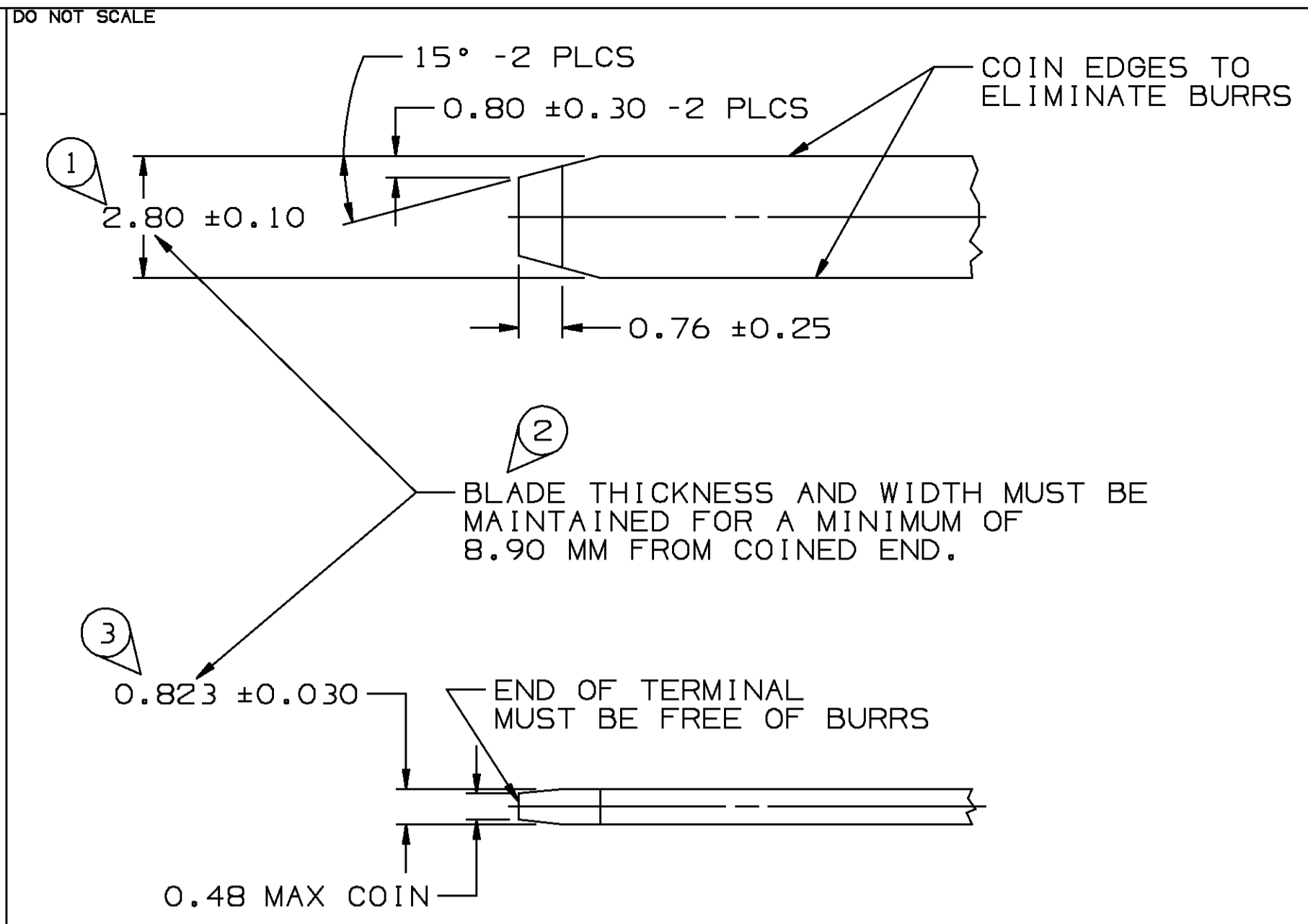


DELPHI PACKARD ELECTRIC SYSTEMS
WARREN, OHIO 44466



BLADE THICKNESS AND WIDTH MUST BE MAINTAINED FOR A MINIMUM OF 8.90 MM FROM COINED END.

END OF TERMINAL MUST BE FREE OF BURRS

MATERIAL SPECIFICATIONS

RECOMMENDED

BASE METAL - CDA-210, EXTRA SPRING TEMPER

PLATING - 0.0050±0.0025 MM THICK TIN

MINIMUMS

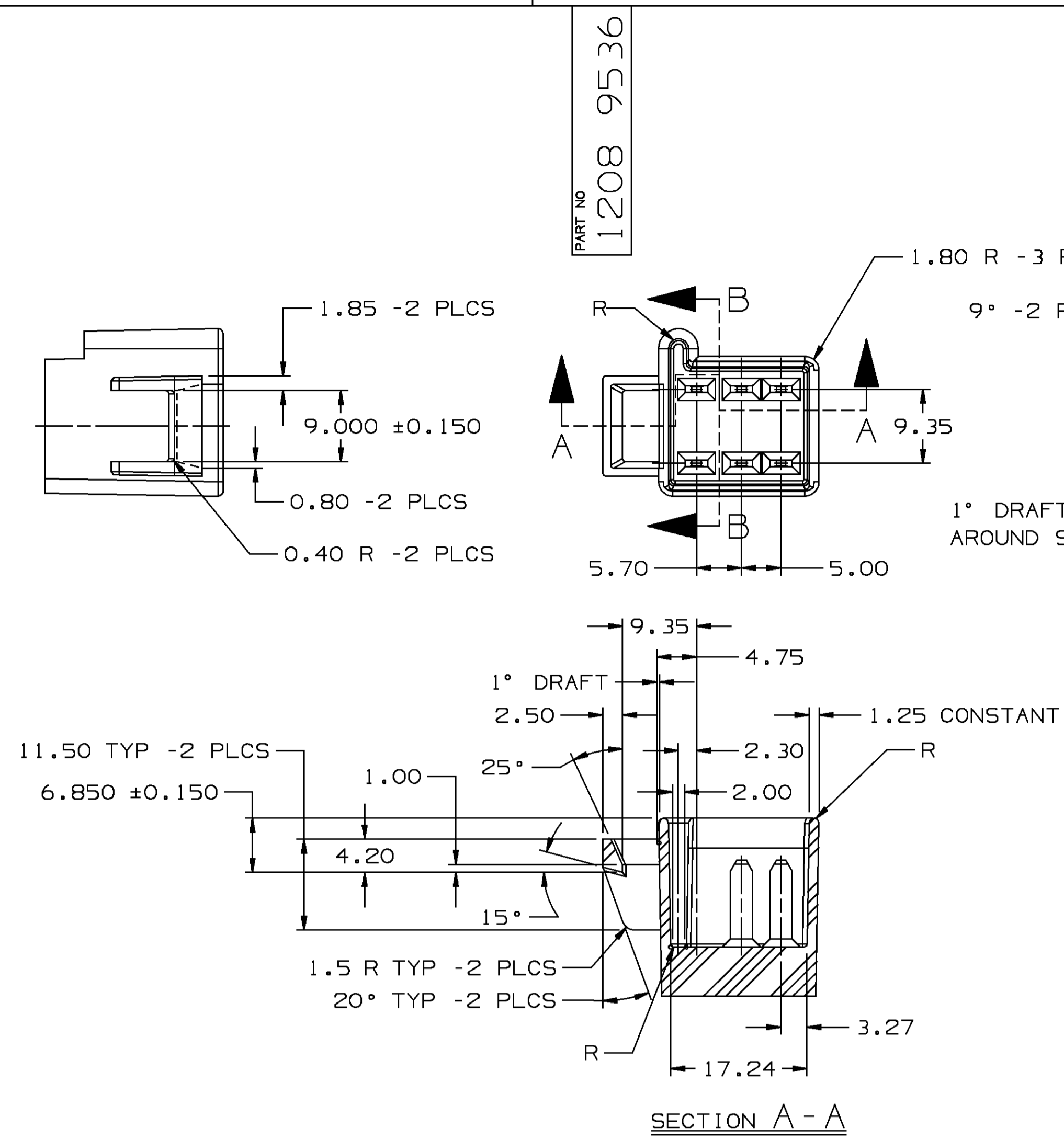
ELECTRICAL CONDUCTIVITY - ≥20% IACS AT 20°C. USE OF A MATERIAL WITH CONDUCTIVITY <20% IACS MUST BE APPROVED BY PACKARD ELECTRIC MATERIALS ENGINEERING.

TENSILE STRENGTH - 407 MPa

PLATING - FOR LOW ENERGY (≤5v) AND NON-PASSENGER COMPARTMENT POWER CIRCUITS, 0.0050±0.0025 MM THICK TIN. FOR MATERIALS CONTAINING 10% OR MORE ZINC, AN UNDERPLATE OF COPPER 0.0050±0.0025 MM THICK IS REQUIRED.

MATING BLADE INFORMATION

SCALE 8:1



PART NO
1208 9536

NOTES:

1. ALL RADII 0.40 UNLESS OTHERWISE SPECIFIED
2. UNLESS OTHERWISE SPECIFIED AND/OR INDICATED: DIMENSIONS ARE TO FACE OF VIEW SHOWN AND AUTOMATICALLY ROUNDED BY COMPUTER FOR INSPECTION. (SEE MATH MODEL FOR PRECISE DIMENSION) FOR ALL OTHER DIMENSIONS NOT SHOWN BUT REQUIRED FOR TOOL BUILD, SEE MATH MODEL FOR PRECISE TOOL PATH DATA.
3. WHEN USING THIS INFORMATION FOR A NEW DESIGN, REQUEST THE LATEST COPY OF THIS PRINT FROM PACKARD ELECTRIC DIVISION.

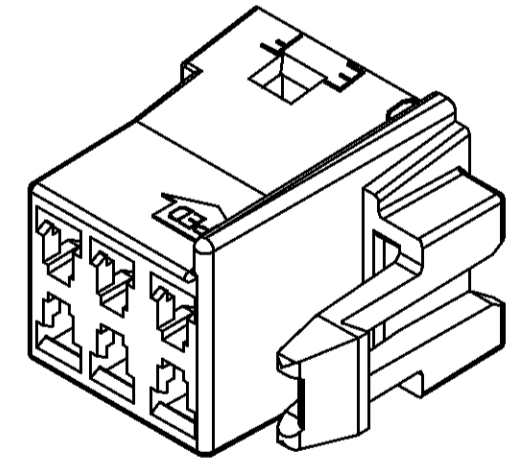
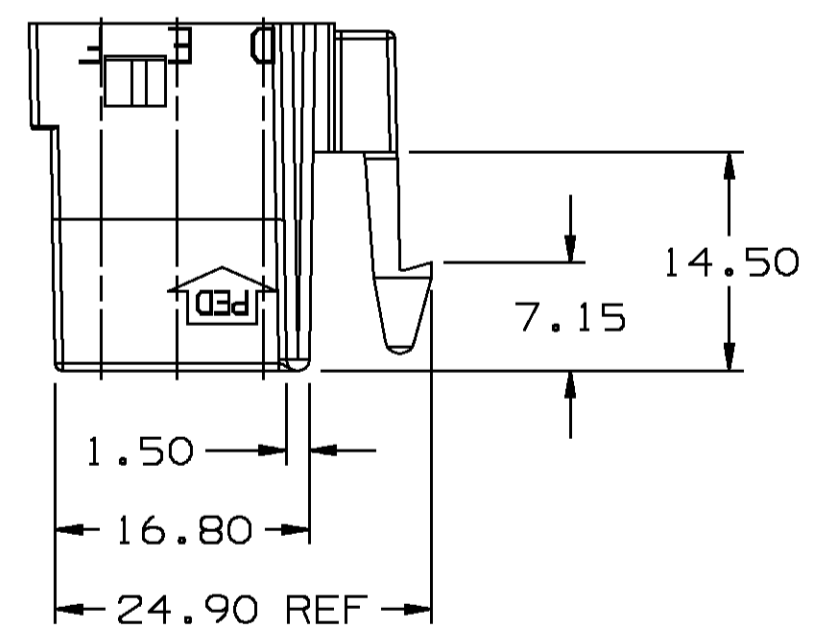
RECOMMENDED MATERIAL: NYLON 6 - BLACK

MATING CONNECTOR INFORMATION - PANEL APPLICATION

(FOR IN-LINE APPLICATION SEE P/N 12066380)

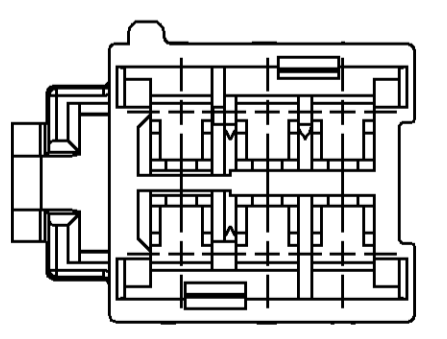
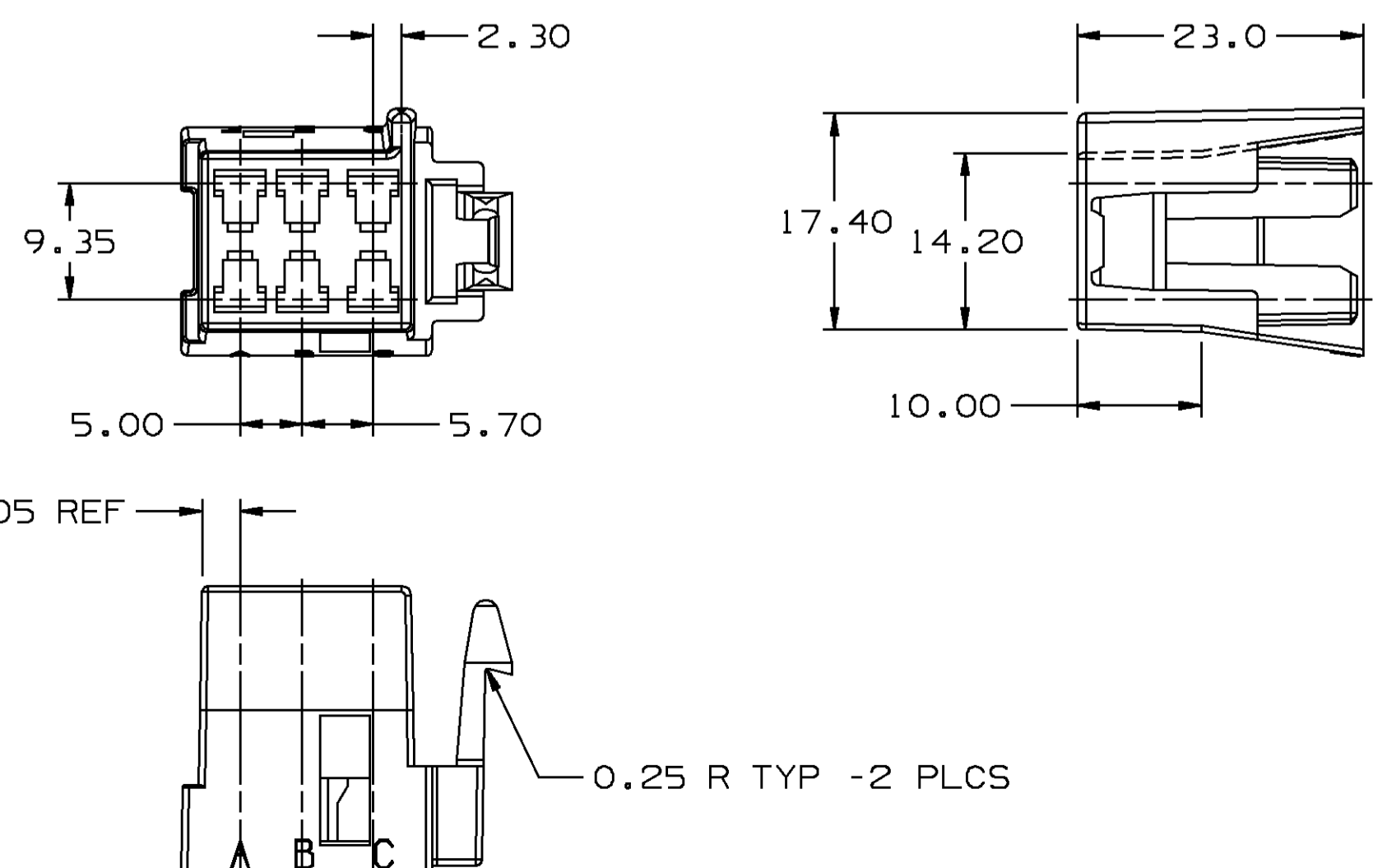
GENERAL NOTE

"⊕" DENOTES DIMENSIONS AND CHARACTERISTICS THAT ARE IMPORTANT TO THE FUNCTION AND/OR PROCESSING OF THE PART THAT HAVE SPECIAL ACCEPTANCE CRITERIA FOR PRODUCTION APPROVAL. THIS DRAWING HAS 3 SNOWCONES.



NOTES:

1. UNLESS OTHERWISE SPECIFIED AND/OR INDICATED: DIMENSIONS ARE TO FACE OF VIEW SHOWN AND AUTOMATICALLY ROUNDED BY COMPUTER FOR INSPECTION. (SEE MATH MODEL FOR PRECISE DIMENSION) FOR ALL OTHER DIMENSIONS NOT SHOWN BUT REQUIRED FOR TOOL BUILD, SEE MATH MODEL FOR PRECISE TOOL PATH DATA.
2. CAVITIES A,B,E & F TO ACCEPT 12034046 TERMINAL OR EQUIVALENT.
3. CAVITIES C & D TO ACCEPT 12015858 TERMINAL OR EQUIVALENT.
4. MATING CONNECTOR SEE CHART.
5. THIS PART ACCEPTS SECONDARY LOCK 12064753 OR EQUIVALENT. (2 PER CONNECTOR)
6. THIS CONNECTOR ACCEPTS CPA LOCK 12052834 OR EQUIVALENT.
7. DIMENSIONS MARKED "REF" ARE FOR REFERENCE ONLY AND NO TOLERANCE LIMITS ARE ESTABLISHED.



PART NO
1208 9536

DRAWING TYPE PID	OTHER DRAWINGS AVAILABLE DETAIL
	METRIC DIMENSIONS ARE IN MILLIMETERS UNLESS OTHERWISE SPECIFIED
THIRD ANGLE PROJECTION	TOLERANCE UNLESS OTHERWISE SPECIFIED DECIMAL: ANGULAR ± 2° ONE PLACE ± 0.3 TWO PLACE ± 0.15
CODE NO 6900	QC DES
DWG DATE 06FEB9	DR J. VILLAMIL 16DE96
SCALE 2:1	CK PEDRO YABUR 17DE96
REFERENCE NO	APPR
MATERIAL SPEC	VOL CM³ 3.491
SEE CHART	
NAME TAXI CONN 6F M/P 280	
PART NUMBER 1208 9536	SIZE A1

12186871	A		R0071784 PA66 HS IM-GRN MD	12186870
12089527	F		R0100112 PBT-GRN	12089745
12066379	F		R0100187 PBT-YEL	12066380
PART NO	REV	STATUS	MATERIAL SPEC & COLOR	MATING CONN

Mouser Electronics

Authorized Distributor

Click to View Pricing, Inventory, Delivery & Lifecycle Information:

[Aptiv:](#)

[12089527](#)