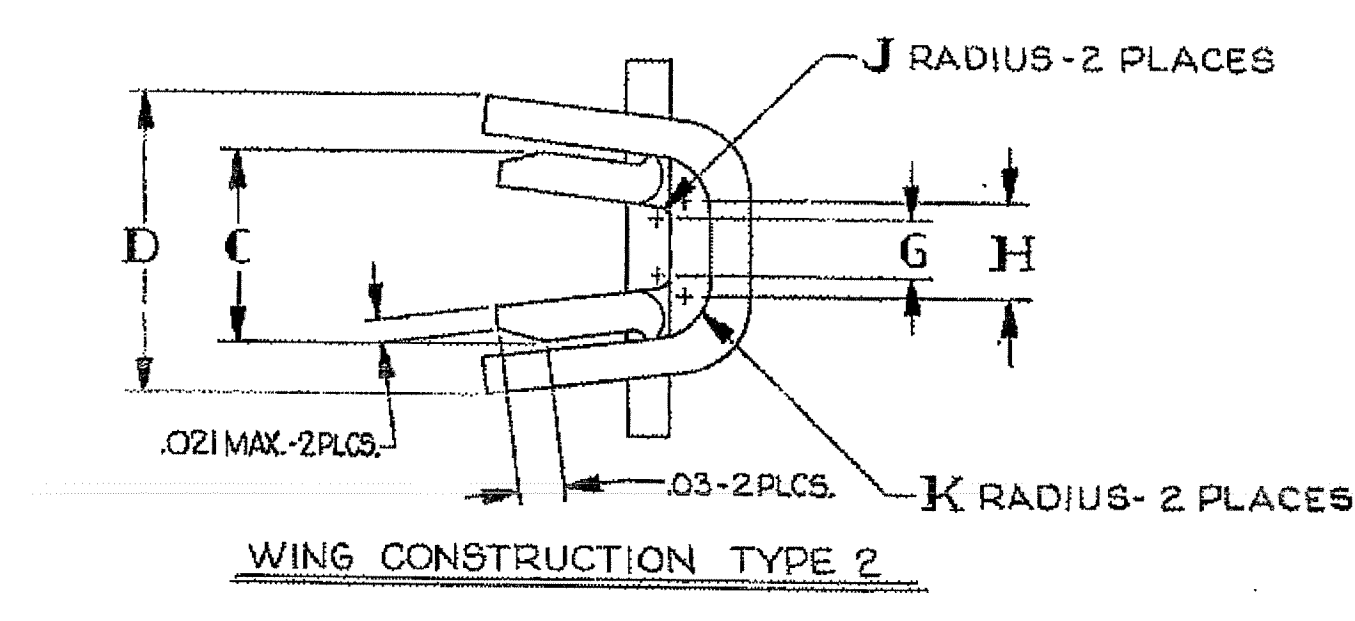
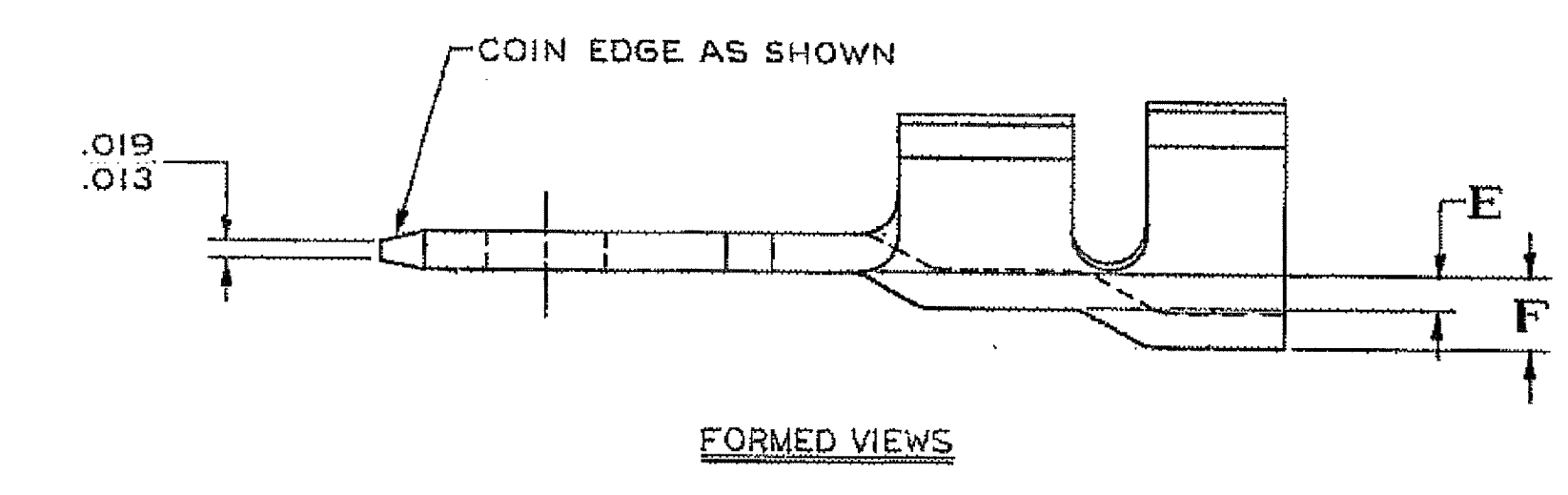
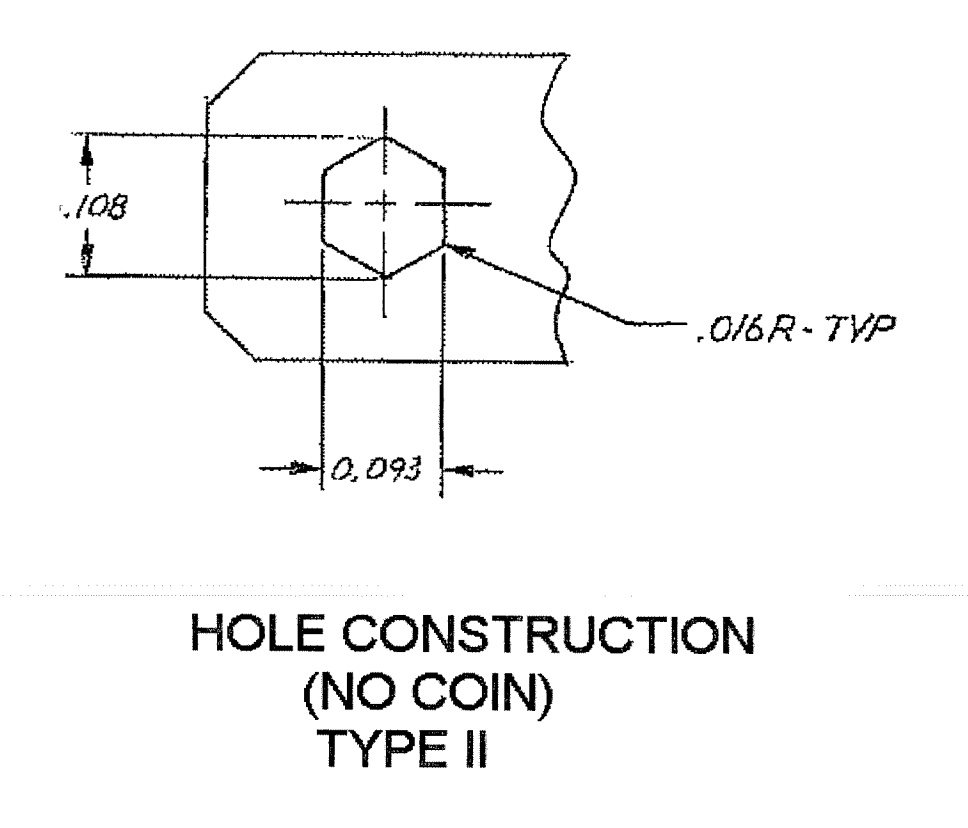
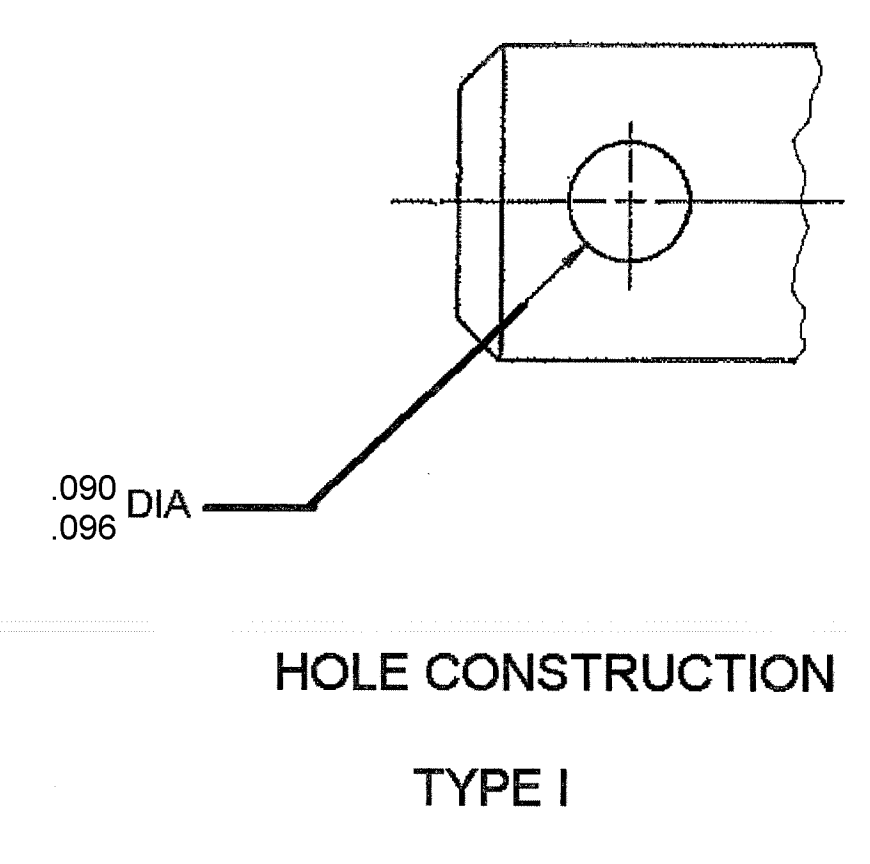
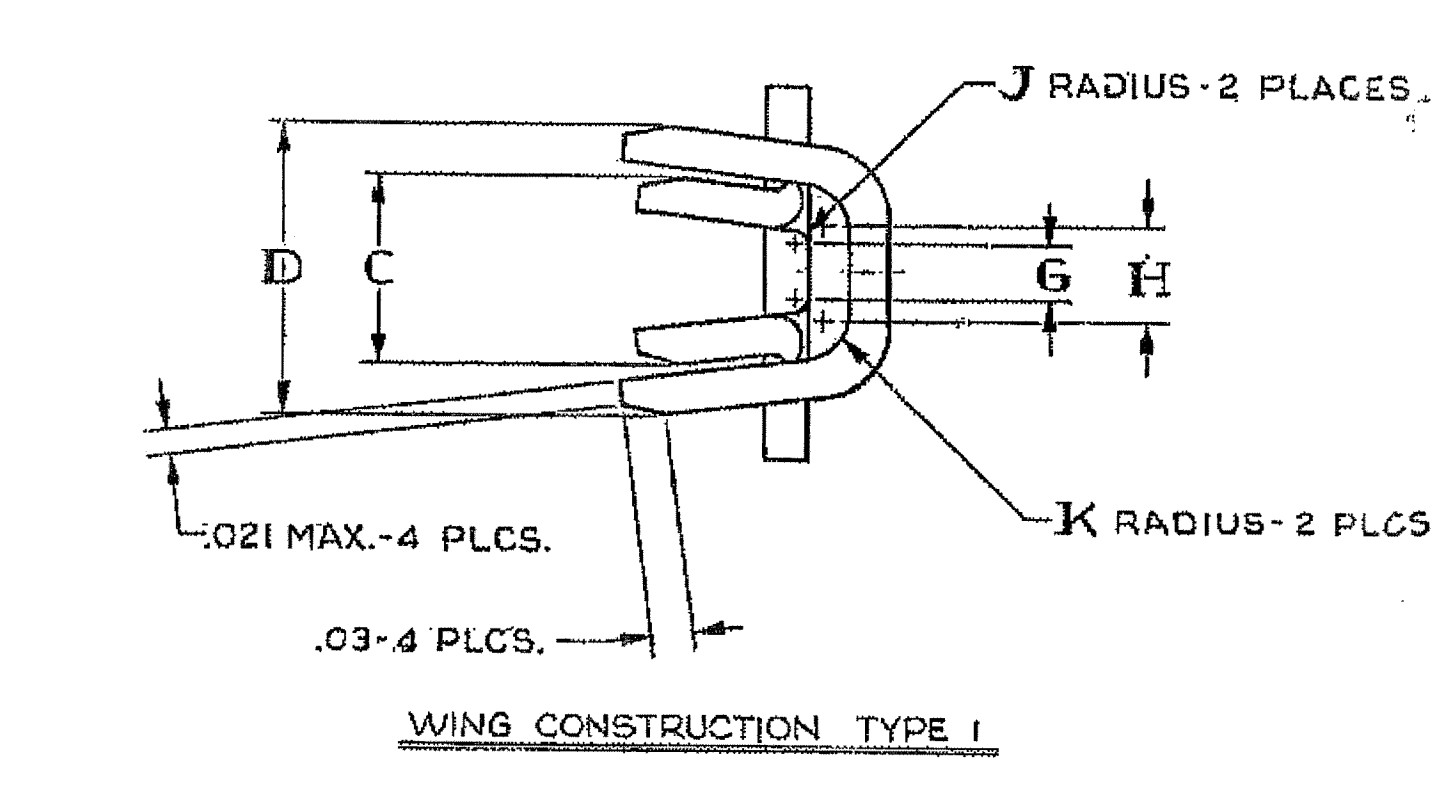
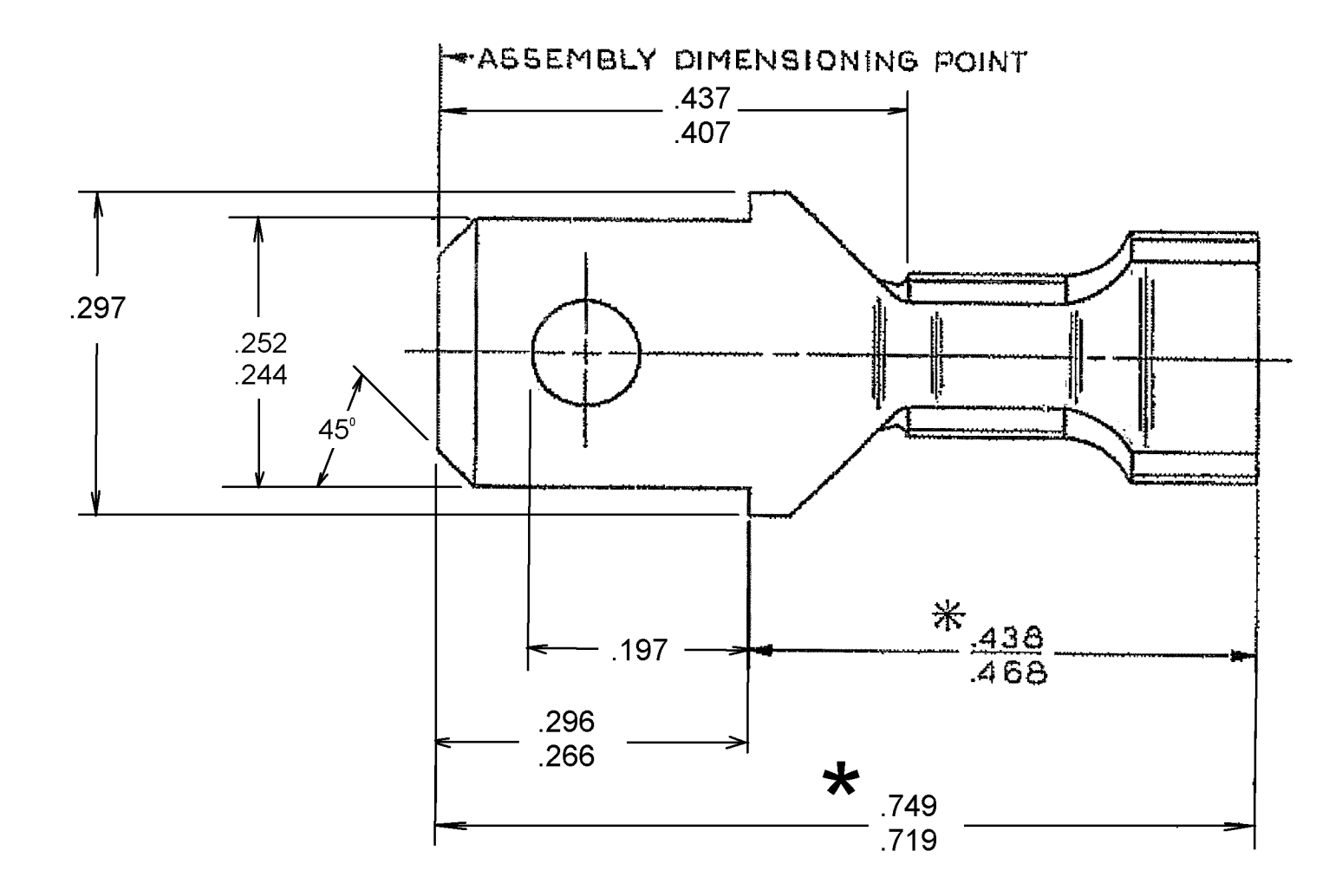
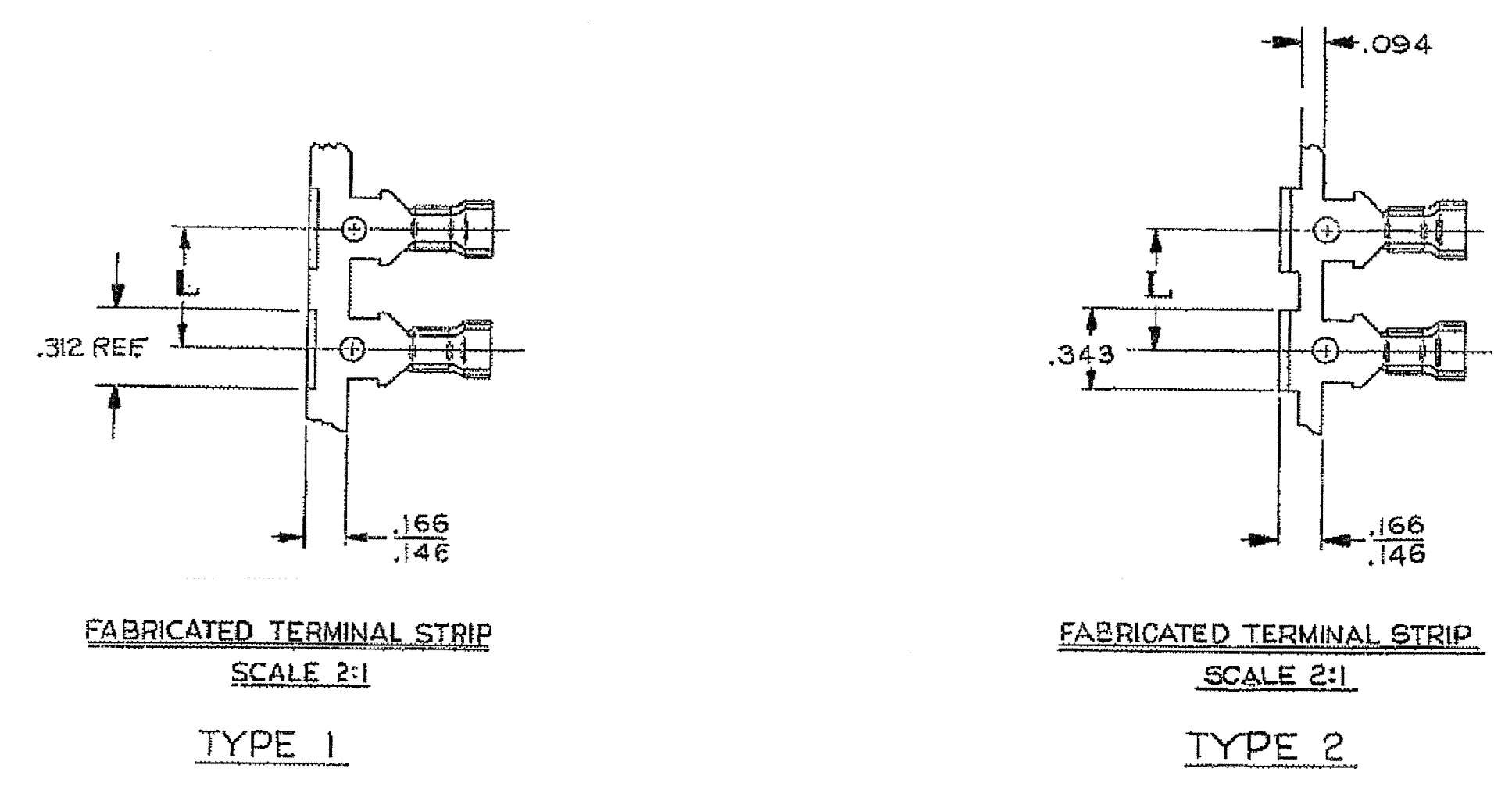


DWG STATUS				REVISION HISTORY				AUTH		DR		APV	
DATE	STG	REV	N/P	CHG	ZONE								
11SE06	R	17	-	-				ALL ACTIVE PARTS - RELEASED PART DRAWING	284230	TLD	TLD	ET	

STRIP .22
DEDUCT .38



- NOTES
- WHEN CRIMPED ON CABLE THESE DIMENSIONS INCREASE BY .032 APPROXIMATELY.
 - OIL IS PERMISSIBLE ON TERMINAL.

PART NO	REV	N/P	STATUS	MAT'L SIZE	MAT'L SPEC	PART NO	REV	N/P	STATUS	MAT'L SPEC	PART NO	REV	N/P	STATUS	MAT'L SPEC	PART NO	REV	N/P	STATUS	MAT'L SPEC	CABLE GAUGE	CABLE DIA.	STAMP	C _{1.015}	D _{1.015}	E	F	G	H	J	K	L	WING CONST	TERM STRIP	HOLE CONST				
02977421	L2			.0320X.719	S-1403119	12146862	B		OBS	P-1403119	18-20	.095	.081		.160/.145	.180	.025	.053	.020	.055	.015	.020	.500	1	1	1	1	1	1	1	1	1	1	1	1	1	1		
02973062	M			.0320X.719	S-1403119	12146863	B2			P-1403119	14-16	.120	.101		.150	.205	.025	.053	.045	.075	.010	.020	.500	1	1	1	1	1	1	1	1	1	1	1	1	1	1	1	
02962709	L2	OBS		.0320X.719	S-1546119	02965479	L2			P-1546119	18-20 H.W.	.123	.107	1	.160/.145	.205	.030	.065	.013	.165	.010	.020	.625	2	2	2	2	2	2	2	2	2	2	2	2	2	2	2	
02962509	M			.0320X.719	S-1403119	02965440	M2			P-1403119	12	.145	.139		.195	.225	.030	.065	.080	.110	.010	.020	.625	1	1	1	1	1	1	1	1	1	1	1	1	1	1	1	1
02962457	L	OBS		.0320X.719	S-1403119	02962958	L2			P-1403119	18-20	.095	.081	1	.160/.145	.180	.025	.053	.020	.055	.015	.020	.500	1	1	1	1	1	1	1	1	1	1	1	1	1	1	1	1
											14-16	.120	.101		.150	.205	.025	.053	.045	.075	.010	.020	.500	1	1	1	1	1	1	1	1	1	1	1	1	1	1	1	

TOLERANCE UNLESS OTHERWISE SPECIFIED:
DECIMAL: TWO PLACE ±0.01 ANGLUAR ±2°
THREE PLACE ±0.005

PART DRAWING

STYLE: VOLUME 10M1 DISTR CODE: D

UNLESS OTHERWISE SPECIFIED

THIS DOCUMENT IS IN ACCORDANCE WITH ASME Y14.3M-1994 AS AMENDED BY THE DE LPHI DIMENSIONING AND TOLERANCE PRACTICES - 1997. ALL DIMENSIVE TOLERANCES AND RELATED OUTLINE APPLY HERE. TOLERANCES SHALL BE INTERPRETED FROM THE DIMENSIONING PRACTICES UNLESS OTHERWISE SPECIFIED. DIMENSIONING PRACTICES SHALL BE USED SEPARATELY. REMOVALS OF DATA REFERENCE.

THIRD ANGLE PROJECTION

DO NOT SCALE USE MATH DATA

DELPHI

DELPHI
DELPHI PACKARD ELECTRIC SYSTEMS
WARREN, OH

DATE: 11SE06

DR: TERRI DAVIS
APV02: TERRI DAVIS
APV03: ERIC TRACEY
APV04: ERIC TRACEY
APV05: ERIC TRACEY

SUBSTANCES OF CONCERN AND RECYCLED CONTENT PER DELPHI 10949001

SEE CHART

DRAWING NAME: TAXI TERM M 56 SER SHORT

DRAWING NUMBER: 02977221

SIZE: NONE
SCALE: 1 OF 1
FRAME NO: 1 OF 1
SHEET NO: 1 OF 1
STR: R
REV: 17

Mouser Electronics

Authorized Distributor

Click to View Pricing, Inventory, Delivery & Lifecycle Information:

[Aptiv:](#)

[02965440](#)